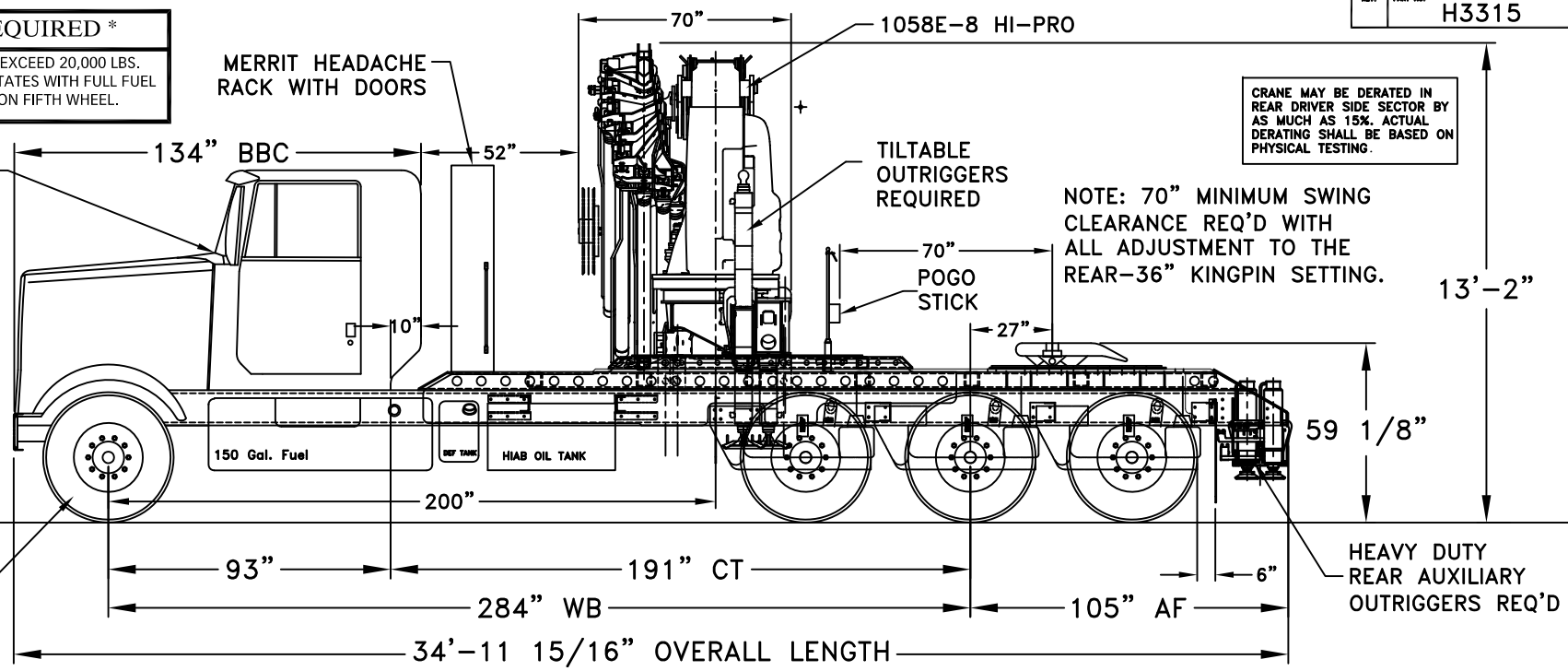


REV. PART NO. H3315

*** PERMIT REQUIRED ***
 FRONT AXLE LOAD MAY EXCEED 20,000 LBS.
 LIMIT ALLOWED IN MOST STATES WITH FULL FUEL
 TANK AND NO LOAD ON FIFTH WHEEL.

CRANE MAY BE DERATED IN
 REAR DRIVER SIDE SECTOR BY
 AS MUCH AS 15%. ACTUAL
 DERATING SHALL BE BASED ON
 PHYSICAL TESTING.

CRANE WILL BE DERATED
 IN FRONT SECTORS BY AT
 LEAST 80%. ACTUAL
 DERATING SHALL BE BASED
 ON PHYSICAL TESTING.



TRUCK, HIAB CRANE & ACCESSORIES WEIGHT DISTRIBUTION, NO LOAD AT FIFTH WHEEL.	
FRONT AXLE LOAD	= 19,750 LBS.
REAR AXLE LOAD	= 36,950 LBS.
FRONT AXLE PERCENTAGE	= 35 %
REAR AXLE PERCENTAGE	= 65 %
GROSS VEHICLE WEIGHT	= 56,700 LBS.

TRUCK SPECIFICATIONS	
TRUCK MODEL	= PETERBILT 389
WHEELBASE	= 284"
CAB TO TRIDEM	= 191"
AXLE-TO-FRAME	= 105"
FRONT AXLE CURB WEIGHT	= 11,385 LBS.
REAR AXLE CURB WEIGHT	= 12,683 LBS.
FRONT G.A.W.R.	= 22,000 LBS.
REAR G.A.W.R.	= 69,000 LBS.
YIELD STRENGTH OF EACH FRAME RAIL	MINIMUM SECTION MODULUS REQUIRED
120,000 P.S.I. YIELD	80.88 = in. ³
MINIMUM RBM/RAIL	= 9,706,114 IN-LBS

NOTES:
 TRIPLE FRAME CHASSIS REQUIRED, 120,000 PSI MINIMUM.
 CHASSIS FRAME RAIL MIN. OF 46.5 SECTION MODULUS REQ'D.
 FULL LENGTH SUB-FRAME REQUIRED:
 6" x 4" x 1/2" RECT. TUBING (ON TOP OF RAIL)
 5" x 5" x 1/2" RECT. TUBING (CROSSMEMBERS EVERY 3')
 FULL LENGTH TOP PLATE & BOTTOM PLATE REQUIRED.
 SUBFRAME AND AUX. OUTRIGGER WEIGHTS ESTIMATED.
 CURB WEIGHTS WERE PROVIDED BY DEALER.

TRUCK RUNS IN US (RULES FOR MOST STATES).
 20,000 LBS. ALLOWED ON A SINGLE AXLE.
 42,500 LBS. ALLOWED ON TRIDEM.
 60,500 LBS. ALLOWED FOR GROSS WEIGHT.
 MAXIMUM LENGTH CANNOT EXCEED 40'.

TRUCK, HIAB CRANE & ACCESSORIES WEIGHT DISTRIBUTION, MAX. LOAD AT FIFTH WHEEL.	
FRONT AXLE LOAD	= 19,390 LBS.
REAR AXLE LOAD	= 41,110 LBS.
FRONT AXLE PERCENTAGE	= 32 %
REAR AXLE PERCENTAGE	= 68 %
FIFTH WHEEL LOAD	= 3,800 LBS.
GROSS VEHICLE WEIGHT	= 60,500 LBS.

NOTICE:
 THIS WEIGHT DISTRIBUTION IS BASED ON ESTIMATED WEIGHTS AND IS ONLY AS ACCURATE AS THOSE ESTIMATES. ACTUAL WEIGHTS MAY CHANGE THE RESULTS OF THIS WEIGHT DISTRIBUTION.

NOTICE:
 THE DRAWING PURPOSE IS TO INTRODUCE A GENERAL CONCEPT OF A PROPOSED IDEA.

Hiab, Inc.
 Hiab, Inc.
 12233 Williams Road
 Perrysburg, Ohio 43551
 Tel (419) 482-6000
 Fax (419) 482-6001
 Tolerances - unless otherwise noted.
 Tolerances are in inches.
 2-PLACE ±.00..... .03
 3-PLACE ±.000..... .015
 ANGULAR ±1'
 FRACTIONAL ±1/16"
 Break all sharp corners unless otherwise specified.

THIS PROPERTY AND ALL INFORMATION THEREIN IS THE PROPERTY OF HIAB, INC., 12233 WILLIAMS RD, PERRYSBURG, OHIO 43551 AND IS CONFIDENTIAL. IT MUST NOT BE MADE PUBLIC OR COPIED. THIS DRAWING IS LOANED TO RETURN UPON DEMAND AND SHALL NOT BE USED DIRECTLY OR INDIRECTLY IN ANY WAY DETRIMENTAL TO OUR INTERESTS. OUR PRIOR SPECIFIC APPROVAL IS REQUIRED FOR EXPOSURE OF THIS DRAWING TO OTHERS FOR ANY PURPOSE.
 Next Assy.
 Dwg/Cad file no. 1058 / SALES

Drawing Title:		HIAB 1058E-8 HIPRO	
Project Name:		SALES LAYOUT	
Drawn by/Date:	EJM 9-21-16	Size:	Part No.
Approval/Date Approved:		Scale:	unit wt.
		Eng. job no.:	