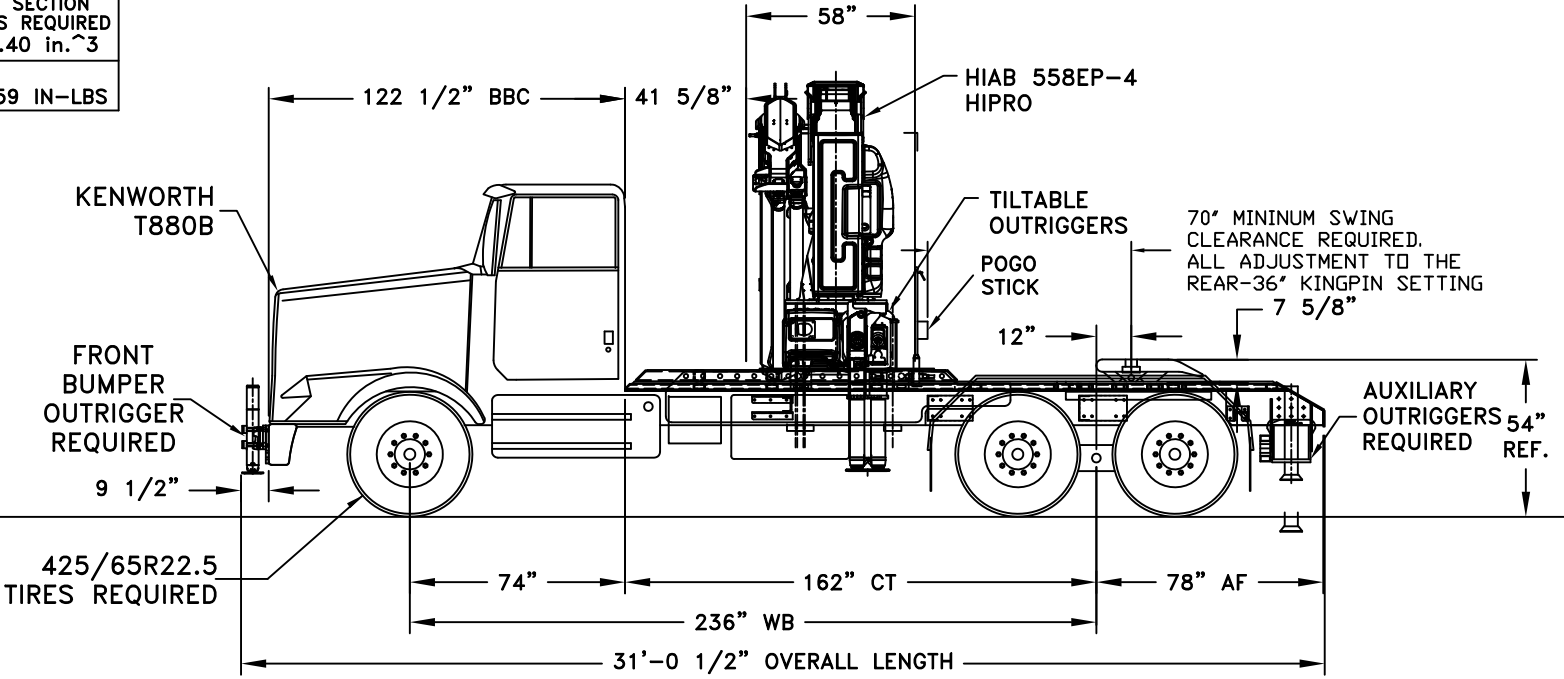


YIELD STRENGTH 120,000 P.S.I. YIELD	CRANE MINIMUM SECTION MODULUS REQUIRED = 57.40 in. ³
CRANE MINIMUM RBM/RAIL = 6,888,059 IN-LBS	

CRANE MAY BE DERATED IN FRONT QUADRANTS AS MUCH AS 30%. ACTUAL DERATING SHALL BE BASED ON PHYSICAL TESTING.



TRACTOR, HIAB CRANE AND ACCESSORIES WEIGHT DISTRIBUTION, NO LOAD AT FIFTH WHEEL.

FRONT AXLE LOAD	= 17,940 LBS.
TANDEM AXLE LOAD	= 23,460 LBS.
FRONT AXLE PERCENTAGE	= 43 %
TANDEM AXLE PERCENTAGE	= 57 %
GROSS VEHICLE WEIGHT	= 41,400 LBS.

TRACTOR SPECIFICATIONS

TRACTOR MODEL	= KENWORTH T880B
WHEELBASE	= 236"
CAB TO TANDEM	= 162"
AXLE-TO-FRAME	= 78"
FRONT AXLE TARE WEIGHT	= 11,000 LBS.
TANDEM AXLE TARE WEIGHT	= 9,100 LBS.
FRONT G.A.W.R.	= 20,000 LBS.
TANDEM G.A.W.R.	= 46,000 LBS.
YIELD STRENGTH OF EACH FRAME RAIL	120,000 P.S.I. YIELD
MINIMUM SECTION MODULUS REQUIRED	= 38.00 in. ³
MINIMUM RBM/RAIL = 4,560,000 IN-LBS	

NOTES:
 DOUBLE FRAME RAIL REQUIRED.
 FRAME RAIL MINIMUM OF 38.00 in.³ SECTION MODULUS REQUIRED.
 FULL SUBFRAME REQUIRED:
 4"x2"x3/8" RECT. TUBING (ON TOP OF RAIL)
 4"x2"x3/8" RECT. TUBING (CROSSMEMBERS)
 1/2" FULL WIDTH BOTTOM PLATE
 3/4" FULL WIDTH TOP PLATE
 LARGE CRANE FISH PLATES REQUIRED.
 CURB WEIGHTS WERE ESTIMATED.

TRACTOR RUNS IN U.S. (RULES FOR MOST STATES)
 20,000 LBS. ALLOWED ON FRONT AXLE.
 34,000 LBS. ALLOWED ON TANDEM AXLE.
 52,500 LBS. ALLOWED FOR GROSS WEIGHT. (22')

TRACTOR, HIAB CRANE AND ACCESSORIES WEIGHT DISTRIBUTION, MAX. LOAD AT FIFTH WHEEL.

FRONT AXLE LOAD	= 17,430 LBS.
TANDEM AXLE LOAD	= 34,000 LBS.
FRONT AXLE PERCENTAGE	= 34 %
TANDEM AXLE PERCENTAGE	= 66 %
FIFTH WHEEL LOAD	= 10,030 LBS.
GROSS VEHICLE WEIGHT	= 51,430 LBS.

NOTICE:
 THIS WEIGHT DISTRIBUTION IS BASED ON ESTIMATED WEIGHTS AND IS ONLY AS ACCURATE AS THOSE ESTIMATES. ACTUAL WEIGHTS MAY CHANGE THE RESULTS OF THIS WEIGHT DISTRIBUTION.

NOTICE:
 THE DRAWING PURPOSE IS TO INTRODUCE A GENERAL CONCEPT OF A PROPOSED IDEA.

Cargotec USA
 Cargotec USA Inc.
 12235 Williams Road
 Perrysburg, Ohio 43551
 Tel (419) 482-6000
 Fax (419) 482-6001
Tolerances - unless otherwise noted.
 Tolerances are in inches.
 2-PLACE ±.00..... .03
 3-PLACE ±.000..... .015
 ANGULAR ±.....1'
 FRACTIONAL ±.....1/16"
 Break all sharp corners unless otherwise specified.

THIS PROPERTY AND ALL INFORMATION THEREIN IS THE PROPERTY OF CARGOTEC USA INC. 12233 WILLIAMS RD. PERRYSBURG, OHIO 43551 AND IS CONFIDENTIAL. IF MUST NOT BE MADE PUBLIC OR COPIED. THIS DRAWING IS LOANED TO RETURN UPON DEMAND AND SHALL NOT BE USED DIRECTLY OR INDIRECTLY IN ANY WAY DETRIMENTAL TO OUR INTERESTS. OUR PRIOR SPECIFIC APPROVAL IS REQUIRED FOR EXPOSURE OF THIS DRAWING TO OTHERS FOR ANY PURPOSE.

Next Assy.
 Dwg/Cad file no. 558 / SALES

Drawing Title:		HIAB 558EP-4 HIPRO	
Project Name:		SALES LAYOUT	
Drawn by/Date:	CSV 2-23-18	Size:	Part No.
Approval:	Date Approved:	Scale:	unit wt.
		Eng. job no.:	