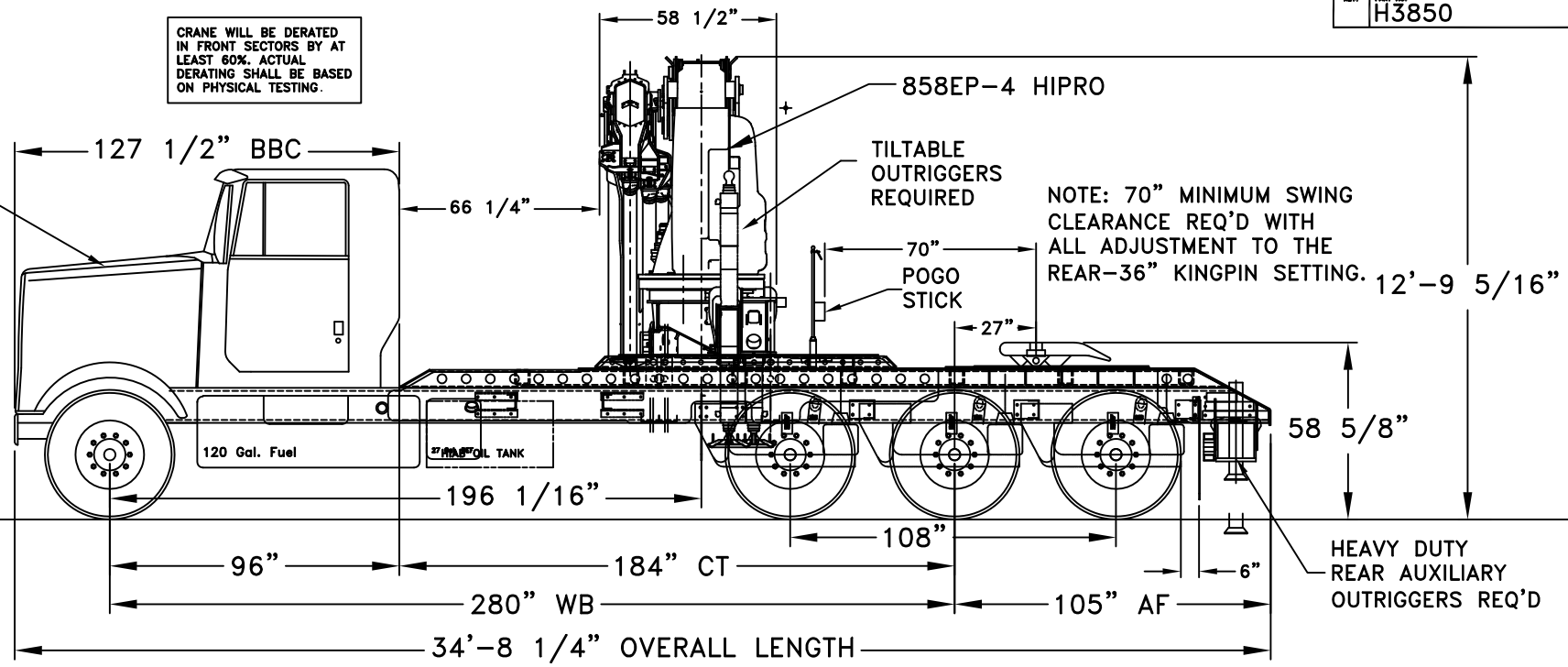


REV. PART NO. H3850

CRANE WILL BE DERATED IN FRONT SECTORS BY AT LEAST 60%. ACTUAL DERATING SHALL BE BASED ON PHYSICAL TESTING.



TRUCK, HIAB CRANE & ACCESSORIES WEIGHT DISTRIBUTION, NO LOAD AT FIFTH WHEEL.	
FRONT AXLE LOAD	= 19,120 LBS.
REAR AXLE LOAD	= 33,150 LBS.
FRONT AXLE PERCENTAGE	= 37 %
REAR AXLE PERCENTAGE	= 63 %
GROSS VEHICLE WEIGHT	= 52,270 LBS.

TRUCK, HIAB CRANE & ACCESSORIES WEIGHT DISTRIBUTION, MAX. LOAD AT FIFTH WHEEL.	
FRONT AXLE LOAD	= 18,330 LBS.
REAR AXLE LOAD	= 42,170 LBS.
FRONT AXLE PERCENTAGE	= 30 %
REAR AXLE PERCENTAGE	= 70 %
FIFTH WHEEL LOAD	= 8,230 LBS.
GROSS VEHICLE WEIGHT	= 60,500 LBS.

TRUCK SPECIFICATIONS	
TRUCK MODEL	= KENWORTH W900
WHEELBASE	= 280"
CAB TO TRIDEM	= 184"
AXLE-TO-FRAME	= 105"
FRONT AXLE CURB WEIGHT	= 12,000 LBS.
REAR AXLE CURB WEIGHT	= 13,500 LBS.
FRONT G.A.W.R.	= 22,000 LBS.
REAR G.A.W.R.	= 69,000 LBS.
YIELD STRENGTH OF EACH FRAME RAIL	MINIMUM SECTION MODULUS REQUIRED
120,000 P.S.I. YIELD	71.81 = in. <sup>3</sup>
MINIMUM RBM/RAIL	= 8,616,732 IN-LBS

**NOTICE:**  
THIS WEIGHT DISTRIBUTION IS BASED ON ESTIMATED WEIGHTS AND IS ONLY AS ACCURATE AS THOSE ESTIMATES. ACTUAL WEIGHTS MAY CHANGE THE RESULTS OF THIS WEIGHT DISTRIBUTION.

**NOTICE:**  
THE DRAWING PURPOSE IS TO INTRODUCE A GENERAL CONCEPT OF A PROPOSED IDEA.

**NOTES:**  
TRIPLE FRAME CHASSIS REQUIRED, 120,000 PSI MINIMUM.  
CHASSIS FRAME RAIL MIN. OF 46.5 SECTION MODULUS REQ'D.  
FULL LENGTH SUB-FRAME REQUIRED:  
6" x 4" x 1/2" RECT. TUBING (ON TOP OF RAIL)  
5" x 5" x 1/2" RECT. TUBING (CROSSMEMBERS EVERY 3')  
1/2" TOP PLATE & 1/2" BOTTOM PLATE - FULL LENGTH.  
SUBFRAME AND AUX. OUTRIGGER WEIGHTS ESTIMATED.  
CURB WEIGHTS ARE ESTIMATED.

TRUCK RUNS IN US (RULES FOR MOST STATES).  
20,000 LBS. ALLOWED ON A SINGLE AXLE.  
42,500 LBS. ALLOWED ON TRIDEM.  
60,500 LBS. ALLOWED FOR GROSS WEIGHT.  
MAXIMUM LENGTH CANNOT EXCEED 40'.

**Hiab, Inc.**  
Hiab, Inc.  
12233 Williams Road  
Perrysburg, Ohio 43051  
Tel (419) 482-6000  
Fax (419) 482-6001

Tolerances - unless otherwise noted.  
Tolerances are in inches.  
2-PLACE ±.000... .03  
3-PLACE ±.000... .015  
ANGULAR ± .....1'  
FRACTIONAL ± .....1/16"  
Break all sharp corners unless otherwise specified.

THIS PROPERTY AND ALL INFORMATION THEREIN IS THE PROPERTY OF HIAB, INC., 12233 WILLIAMS RD, PERRYSBURG, OHIO 43051 AND IS CONFIDENTIAL. IT MUST NOT BE MADE PUBLIC OR COPIED. THIS DRAWING IS LOANED TO RETURN UPON DEMAND AND SHALL NOT BE USED DIRECTLY OR INDIRECTLY IN ANY WAY DETRIMENTAL TO OUR INTERESTS. OUR PRIOR SPECIFIC APPROVAL IS REQUIRED FOR EXPOSURE OF THIS DRAWING TO OTHERS FOR ANY PURPOSE.

Drawing Title: **HIAB 858EP-4 HIPRO**  
Project Name:

**SALES LAYOUT**  
Drawing Title: HIAB 858EP-4 HIPRO  
Project Name:  
Salesman: **EJM**  
Date: 9-20-18  
Scale: unit wt.  
Part No.:  
Date Approved:  
Eng. job no.:

Dwg/Cad file no. **858 / SALES**