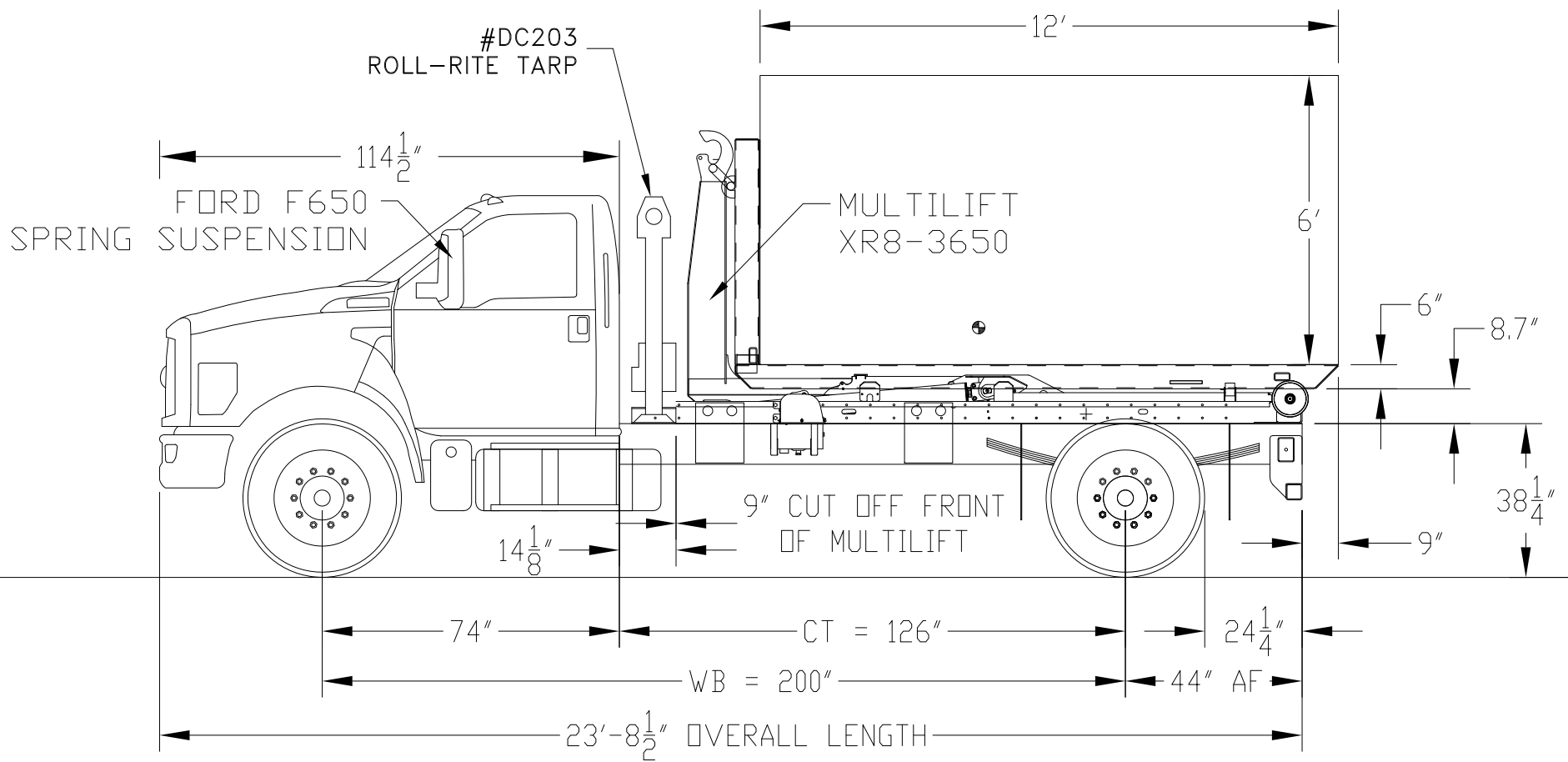


REV.	PART NO.
------	----------



EXTENDABLE BUMPER REQUIRED WITH AN OVERHANG LENGTH OVER 24"

SCALE (in.) 0 12 24 36 48 60 72 84 96 108

NOTICE:
 THIS DRAWING WAS INTENDED FOR ILLUSTRATION PURPOSES ONLY. IT IS NOT A WEIGHT DISTRIBUTION DRAWING. NOTE THAT IT IS THE CUSTOMER'S AND/OR INSTALLER'S RESPONSIBILITY TO ENSURE THE COMPLETED PACKAGE MEETS ALL LOCAL AND FEDERAL GUIDELINES.

Hiab, Inc. Hiab, Inc. 12233 Williams Road Perrysburg, Ohio 43551 Tel (419) 482-6000 Fax (419) 482-6001 <small>Tolerance - unless otherwise noted. Tolerances are in inches 2-PLACE ±.00..... .03 3-PLACE ±.000..... .015 ANGULAR ±1' FRACTIONAL ±1/16" Break all sharp corners unless otherwise specified.</small>	<small>THIS PROPERTY AND ALL INFORMATION THEREIN IS THE PROPERTY OF Hiab, Inc., 12233 WILLIAMS ROAD, PERRYSBURG, OHIO 43551 AND IS CONFIDENTIAL. IT MUST NOT BE MADE PUBLIC OR COPIED. THIS DRAWING IS LOANED TO RETURN UPON DEMAND AND SHALL NOT BE USED DIRECTLY OR INDIRECTLY IN ANY WAY DETRIMENTAL TO OUR INTERESTS. OUR PRIOR APPROVAL IS REQUIRED FOR EXPOSURE OF THIS DRAWING TO OTHERS FOR ANY PURPOSE.</small>	Drawing Title: MULTILIFT XR8-3650
	Project Name: 12' BODY	Drawn by/Date: PWP 12-8-20
Dwg/Cad file no.	Approval: Date Approved:	Scale: unit wt. Eng. job no.: