

The KM 634 is a robust and powerful tool for logs – especially for heavy duty operation. Well suited for handling single trunks.

- ▷ **Low height** with one horizontal hydraulic cylinder – especially when closed due to the interlocking arms.
- ▷ **Long service life** is ensured by the sturdy construction, high quality components and generously dimensioned bearing system. All bearing bolts are case hardened and housed in steel bearing bushes.
- ▷ **Optimised design** allows extremely small grapple diameter – ideal for handling thin timber securely. The arms open almost vertically. That enables an easy penetration into the timber stack.
- ▷ **Synchronisation** of arms due to sturdy compensation rods.
- ▷ **Protection of the hoses** for the hydraulic connections by a hose guard on the rotator.
- ▷ **Precise positioning** of the loads is no problem in combination with the KINSHOFER rotator – continuous rotation, precise start and stop ability.
- ▷ **Safety** is assured in the event of an unexpected pressure drop due to the integrated non-return valve.
- ▷ **The reinforced logging grapple KM 634S** has an even more sturdy construction and is equipped with a stronger rotator.
- ▷ **Efficient handling** with high closing forces (2860 lbf to 3520 lbf kN at an operating pressure of 3500 psi).



KM 634 here w/rotator
KM 10 F173-35/2

Packages Logging Grapple KM 634-0,25c / KM 634-0,35c / KM 634-0,50c

Type	Capacity (cords)	Width B (in)	min. Log-Ø D2 (in)	max. Log-Ø D2 (in)	max. Opening A (in)	Weight (lbs)	Closing force (lbf)	Load capacity (lbs)
KM 634-0,25 c	0.17	17	3.5	18.11	58	473	2860	8800
KM 634-0,35 c	0.23	20	5.3	23.23	77	660	3520	11000
KM 634-0,50 c	0.33	20	6.7	25.59	78	722	3300	11000

Package consists of: logging grapple, rotator with hose protection (for KM 634-0,25: KM 06 F173-35, for KM 634-0,35: KM 10 F173-35, for KM 634-0,50: KM 10 F173-45), short hoses KM 203 01, suitable upper suspension KM 501, non-return valve

Logging Grapple KM 634

Type	Capacity (cords)	Width B (in)	min. Log-Ø D2 (in)	max. Log-Ø D2 (in)	max. Opening A (in)	Weight (lbs)	Closing force (lbf)	Load capacity (lbs)
KM 634-0,25	0.17	17	3.5	18.11	58	374	2860	8800
KM 634-0,35	0.23	20	5.3	23.23	77	495	3520	11000
KM 634-0,50	0.33	20	6.7	25.59	78	550	3300	11000

Logging Grapple KM 634S – Reinforced Version of KM 634

Type	Capacity (cords)	Width B (in)	min. Log-Ø D2 (in)	max. Log-Ø D2 (in)	max. Opening A (in)	Weight (lbs)	Closing force (lbf)	Load capacity (lbs)
KM 634S-0,40	0.27	20	5.3	23.23	77	594	3520	13200
KM 634S-0,50	0.33	20	6.7	25.59	78	605	3520	15400
KM 634S-0,70	0.47	23	4.3	34.25	101	1166	3300	17600

Accessories

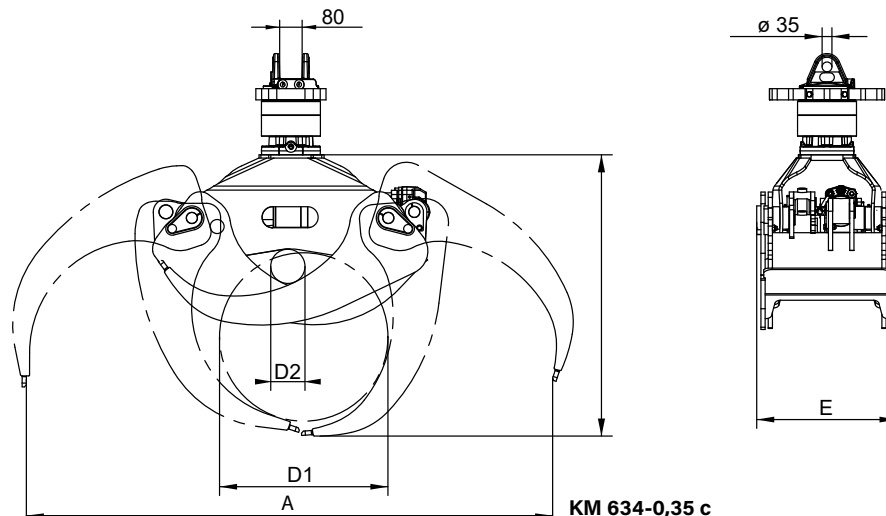
Type	Description
KM 06 F173-35	recommended KINSHOFER rotator for KM 634-0,25
KM 10 F173-35	recommended KINSHOFER rotator for KM 634-0,35
KM 10 F173-45	recommended KINSHOFER rotator for KM 634-0,50
KM 10 F173-45 or -52	recommended KINSHOFER rotator for KM 634S

Requirements of Truck Crane

Operating pressure: max. 3500 psi
Recommended oil flow: 6.5 - max. 20 GPM



Technical Drawings



KM 634-0,35 c