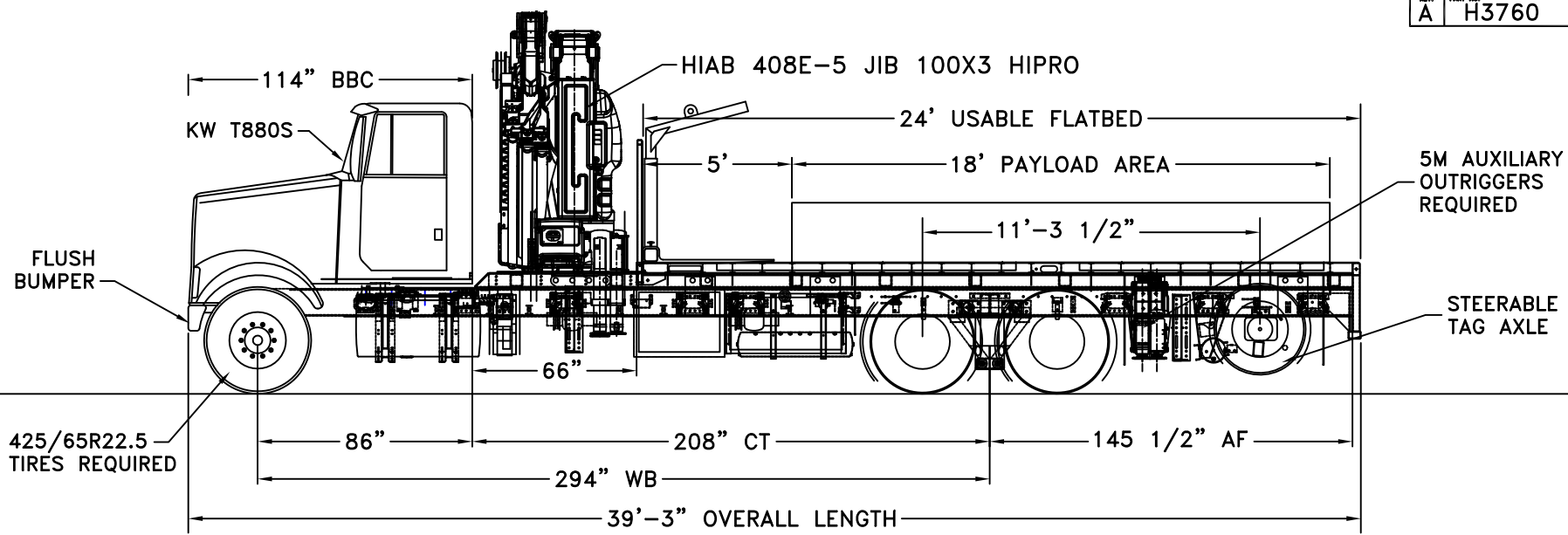


REV. PART NO.  
A H3760



TRUCK, HIAB CRANE & ACCESSORIES WEIGHT DISTRIBUTION, NO PAYLOAD, LIFT AXLE UP.	
TOTAL WEIGHT ON FRONT AXLE	= 18,220 LBS.
TOTAL WEIGHT ON TANDEM AXLE	= 24,530 LBS.
FRONT AXLE WT. PERCENTAGE	= 43 %
TANDEM AXLE WT. PERCENTAGE	= 57 %
GROSS VEHICLE WEIGHT	= 42,750 LBS.

TRUCK, HIAB CRANE & ACCESSORIES WEIGHT DISTRIBUTION, WITH PAYLOAD, LIFT AXLE DOWN.	
TOTAL WEIGHT ON FRONT AXLE	= 19,840 LBS.
TOTAL WEIGHT ON TANDEM AXLE	= 34,000 LBS.
TOTAL WEIGHT ON LIFT AXLE	= 10,000 LBS.
FRONT AXLE WT. PERCENTAGE	= 31 %
TANDEM AXLE WT. PERCENTAGE	= 53 %
LIFT AXLE WT. PERCENTAGE	= 16 %
GROSS VEHICLE WEIGHT	= 63,840 LBS.
PAYLOAD AS SHOWN	= 21,090 LBS.

TRUCK SPECIFICATIONS	
TRUCK MODEL	= KENWORTH T880S
WHEELBASE	= 294"
CAB TO TANDEM	= 208"
AXLE-TO-FRAME	= 145 1/2"
FRONT TARE WEIGHT	= 10,000 LBS.
TANDEM TARE WEIGHT	= 9,000 LBS.
FRONT G.A.W.R.	= 20,000 LBS.
TANDEM G.A.W.R.	= 40,000 LBS.
YIELD STRENGTH OF EACH FRAME RAIL	MINIMUM SECTION MODULUS REQUIRED
120,000 P.S.I. YIELD	= 36.35 in. <sup>3</sup>
MINIMUM RBM/RAIL OF 4,362,000 IN-LBS	

**NOTES:**  
 DOUBLE FRAME CHASSIS REQUIRED.  
 FRAME RAIL MINIMUM OF 30.0 SECTION MODULUS REQ'D.  
 FULL LENGTH SUB-FRAME REQUIRED:  
 6"x4"x3/8" RECT. TUBING (ON TOP OF FRAME RAIL)  
 5"x5"x3/8" SQUARE TUBING (CROSSMEMBERS EVERY 3 FT.)  
 FLATBED WEIGHT IS ESTIMATED.  
 TARE WEIGHTS WERE ESTIMATED, TOTAL PROVIDED.

\*WATER LEVEL PAYLOAD = 16,720 LBS.  
 TRUCK RUNS IN US (RULES FOR MOST STATES).  
 20,000 LBS. ALLOWED ON FRONT AXLE.  
 34,000 LBS. ALLOWED ON TANDEM AXLE.  
 44,000 LBS. ALLOWED ON TRIDEM. (11')  
 64,000 LBS. ALLOWED FOR GROSS WEIGHT. (33')  
 LEGAL OVERALL LENGTH IS 40'.

**NOTICE:**  
 THE DRAWING PURPOSE IS TO INTRODUCE A GENERAL CONCEPT OF A PROPOSED IDEA.

**NOTICE:**  
 THIS WEIGHT DISTRIBUTION IS BASED ON ESTIMATED WEIGHTS AND IS ONLY AS ACCURATE AS THOSE ESTIMATES. ACTUAL WEIGHTS MAY CHANGE THE RESULTS OF THIS WEIGHT DISTRIBUTION.

**Hiab, Inc.**  
 Hiab, Inc.  
 12233 Williams Road  
 Perrysburg, Ohio 43551  
 Tel (419) 482-6000  
 Fax (419) 482-6001  
 Tolerances - unless otherwise noted.  
 Tolerances are in inches.  
 2-PLACE ±.00..... .03  
 3-PLACE ±.000..... .015  
 ANGULAR ± .....1'  
 FRACTIONAL ± .....1/16"  
 Break all sharp corners unless otherwise specified.

THIS PROPERTY AND ALL INFORMATION THEREIN IS THE PROPERTY OF Hiab, Inc., 12233 WILLIAMS RD, PERRYSBURG, OHIO 43551 AND IS CONFIDENTIAL. IF MUST NOT BE MADE PUBLIC OR COPIED. THIS DRAWING IS LOANED TO RETURN UPON DEMAND AND SHALL NOT BE USED DIRECTLY OR INDIRECTLY IN ANY WAY DETRIMENTAL TO OUR INTERESTS. OUR PRIOR SPECIFIC APPROVAL IS REQUIRED FOR EXPOSURE OF THIS DRAWING TO OTHERS FOR ANY PURPOSE.

Next Assy.

Dwg/Cad file no.  
 408 / SALES

Drawing Title:  
**HIAB 408E-5 JIB 100X3 HIPRO**

Project Name:  
**SALES LAYOUT**

Drawn by/Date:  
 EJM 5-4-18

Size: Part No.

Approval: Date Approved: Scale: unit wt. Eng. job no.: