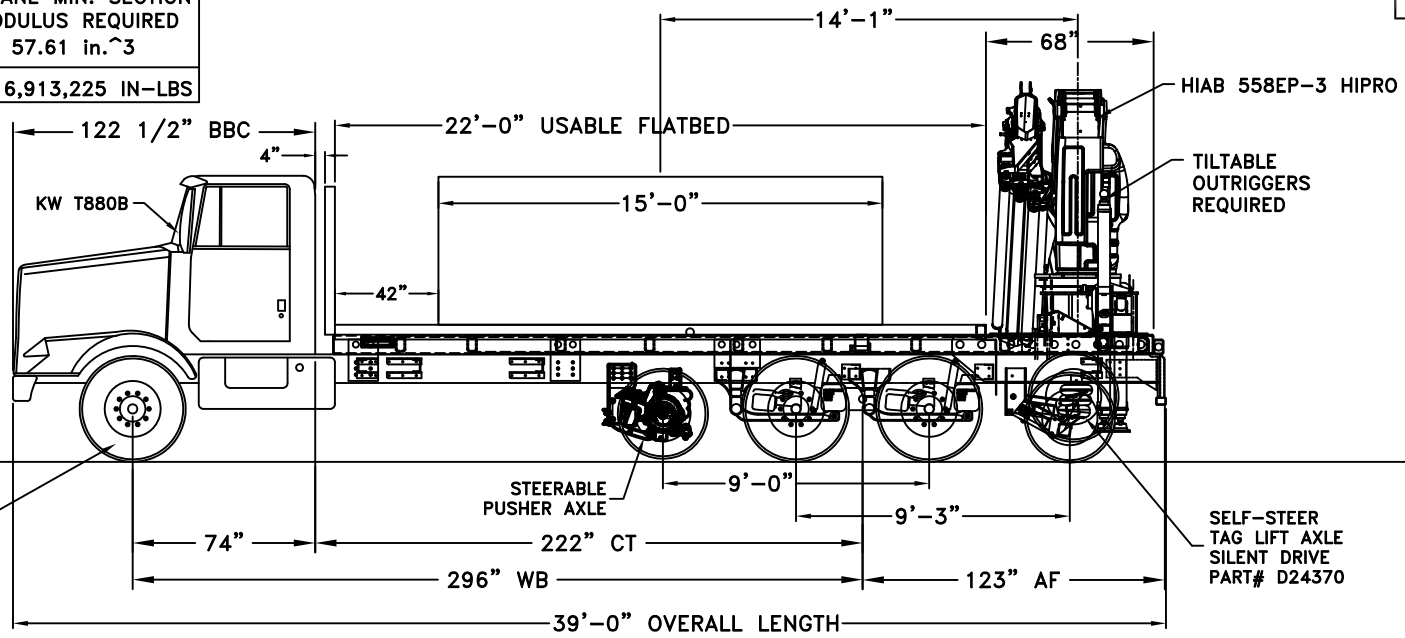


YIELD STRENGTH
120,000 P.S.I. YIELD

CRANE MIN. SECTION
MODULUS REQUIRED
= 57.61 in.³

CRANE MIN. RBM/RAIL = 6,913,225 IN-LBS

CRANE MAY BE DERATED
IN FRONT QUADRANTS AS
MUCH AS 20%. ACTUAL
DERATING SHALL BE BASED
ON PHYSICAL TESTING.



425/65R22.5
TIRES REQUIRED

SELF-STEER
TAG LIFT AXLE
SILENT DRIVE
PART# D24370

TRUCK, HIAB CRANE & ACCESSORIES WEIGHT DISTRIBUTION, NO PAYLOAD, LIFT AXLES UP.

TOTAL WEIGHT ON FRONT AXLE	= 12,230 LBS.
TOTAL WEIGHT ON TANDEM AXLE	= 31,880 LBS.
FRONT AXLE WT. PERCENTAGE	= 28 %
TANDEM AXLE WT. PERCENTAGE	= 72 %
GROSS VEHICLE WEIGHT	= 44,110 LBS.

TRUCK, HIAB CRANE & ACCESSORIES WEIGHT DIST., WITH PAYLOAD, LIFT AXLES DOWN.

TOTAL WEIGHT ON FRONT AXLE	= 19,780 LBS.
TOTAL WEIGHT ON PUSHER AXLE	= 8,000 LBS.
TOTAL WEIGHT ON TANDEM AXLE	= 29,220 LBS.
TOTAL WEIGHT ON TAG LIFT AXLE	= 11,000 LBS.
FRONT AXLE WT. PERCENTAGE	= 29 %
PUSHER AXLE WT. PERCENTAGE	= 12 %
TANDEM AXLE WT. PERCENTAGE	= 43 %
TAG LIFT AXLE WT. PERCENTAGE	= 16 %

GROSS VEHICLE WEIGHT	= 68,000 LBS.
PAYLOAD AS SHOWN-15' TANK	= 23,890 LBS.
*WATER LEVEL PAYLOAD	= 23,890 LBS.

TRUCK SPECIFICATIONS

TRUCK MODEL	= KENWORTH T880B
WHEELBASE	= 296"
CAB TO TANDEM	= 222"
AXLE-TO-FRAME	= 123"
FRONT CURB WEIGHT	= 13,150 LBS.
TANDEM CURB WEIGHT	= 8,240 LBS.
FRONT G.A.W.R.	= 20,000 LBS.
TANDEM G.A.W.R.	= 46,000 LBS.
YIELD STRENGTH OF EACH FRAME RAIL	MINIMUM SECTION MODULUS REQUIRED
120,000 P.S.I. YIELD	= 38.00 in. ³
MINIMUM RBM/RAIL = 4,560,000 IN-LBS	

NOTES:
DOUBLE FRAME CHASSIS REQUIRED.
CHASSIS FRAME RAIL MIN. OF 38.0 SECTION MODULUS REQ'D.
FULL LENGTH SUB-FRAME REQUIRED:
8"x4"x3/8" RECT. TUBING (ON TOP OF CHASSIS FRAME)
6"x4"x3/8" RECT. TUBING (CROSSMEMBERS EVERY 3 FT.)
3/8" TOP & 3/8" BOTTOM PLATE REQUIRED.
MANEUVERABILITY IS POOR WITH LONG WHEELBASE.
WEIGHTS OF COMPLETED CHASSIS WERE PROVIDED.
CURB WEIGHTS SHOWN ARE ESTIMATED.

TRUCK RUNS IN US (RULES FOR MOST STATES).
20,000 LBS. ALLOWED ON FRONT AXLE.
34,000 LBS. ALLOWED ON TANDEM AXLE.
42,500 LBS. ALLOWED ON 9' TRIDEM AXLE GROUP.
51,500 LBS. ALLOWED ON 14' FOUR AXLE GROUP.
68,000 LBS. ALLOWED FOR TRUCK GROSS WEIGHT.
MAXIMUM OVERALL LENGTH CANNOT EXCEED 40'.

NOTICE:
THE DRAWING PURPOSE IS TO INTRODUCE A GENERAL CONCEPT OF A PROPOSED IDEA.

NOTICE:
THIS WEIGHT DISTRIBUTION IS BASED ON ESTIMATED WEIGHTS AND IS ONLY AS ACCURATE AS THOSE ESTIMATES. ACTUAL WEIGHTS MAY CHANGE THE RESULTS OF THIS WEIGHT DISTRIBUTION.

Hiab, Inc.
Hiab, Inc.
12233 Williams Road
Perrysburg, Ohio 43551
Tel (419) 482-6000
Fax (419) 482-6001

Tolerances - unless otherwise noted.
Tolerances are in inches
2-PLACE ±.000... .05
3-PLACE ±.000... .015
ANGULAR ±/16"
FRACTIONAL ±/16"
Break all sharp corners unless otherwise specified.

THIS PROPERTY AND ALL INFORMATION THEREIN IS THE PROPERTY OF HIAB, INC., 12233 WILLIAMS RD, PERRYSBURG, OHIO 43551 AND IS CONFIDENTIAL. IT MUST NOT BE MADE PUBLIC OR COPIED. THIS DRAWING IS LOANED TO RETURN UPON DEMAND AND SHALL NOT BE USED DIRECTLY OR INDIRECTLY IN ANY WAY DETRIMENTAL TO OUR INTERESTS. OUR PRIOR SPECIFIC APPROVAL IS REQUIRED FOR EXPOSURE OF THIS DRAWING TO OTHERS FOR ANY PURPOSE.

Next Assy.
Dwg/Cad file no. 558 / SALES

Drawing Title: **HIAB 558EP-3 HIPRO CRANE**

Project Name: **SALES LAYOUT**

Drawn by: **J W** Date: **7-2-18** Size: **unit wt.** Part No. **Eng. Job no.:**

Approval: **Date Approved:** Scale: **unit wt.**