

5

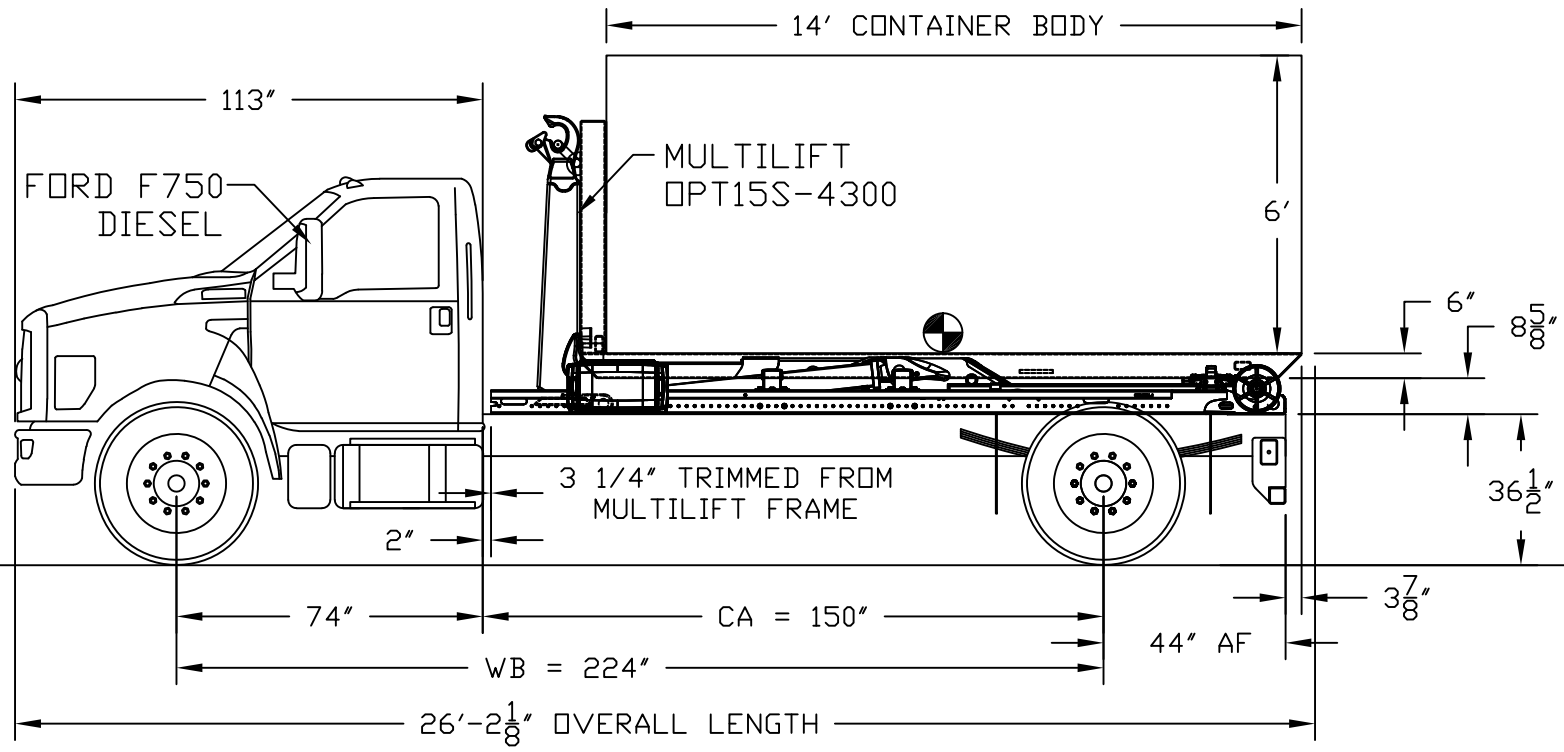
4

3

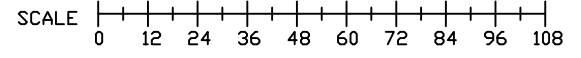
2

1

REV. PART NO.



EXTENDABLE BUMPER
 REQUIRED WITH AN
 OVERHANG LENGTH OVER 24'



NOTICE:
 THIS DRAWING WAS INTENDED FOR ILLUSTRATION PURPOSES ONLY. IT IS NOT A WEIGHT DISTRIBUTION DRAWING. NOTE THAT IT IS THE CUSTOMER'S AND/OR INSTALLER'S RESPONSIBILITY TO ENSURE THE COMPLETED PACKAGE MEETS ALL LOCAL AND FEDERAL GUIDELINES.

Hiab, Inc. Hiab, Inc. 12233 Williams Road Perrysburg, Ohio 43551 Tel (419) 482-6000 Fax (419) 482-6001 <small>Tolerances - unless otherwise noted. Tolerances are in inches. 2-PLACE ±.00..... .03 3-PLACE ±.000..... .015 ANGULAR ± 1' FRACTIONAL ± 1/16" Break all sharp corners unless otherwise specified.</small>	<small>THIS PROPERTY AND ALL INFORMATION THEREIN IS THE PROPERTY OF Hiab, Inc., 12233 WILLIAMS RD., PERRYSBURG, OHIO 43551 AND IS CONFIDENTIAL. IT MUST NOT BE MADE PUBLIC OR COPIED. THIS DRAWING IS LOANED TO RETURN UPON DEMAND AND SHALL NOT BE USED DIRECTLY OR INDIRECTLY IN ANY WAY DETRIMENTAL TO OUR INTERESTS. OUR PRIOR SPECIFIC APPROVAL IS REQUIRED FOR EXPOSURE OF THIS DRAWING TO OTHERS FOR ANY PURPOSE.</small>	MULTILIFT OPT15S-4300 Project Name: 14' BODY
	MULTILIFT/SALES Dwg/Cad file no.	Drawing Title: MULTILIFT OPT15S-4300 Drawing No.: Project Name: 14' BODY Drawn by: PWP Date: 12-14-20 Approval: _____ Date Approved: _____

5

4

3

2

1