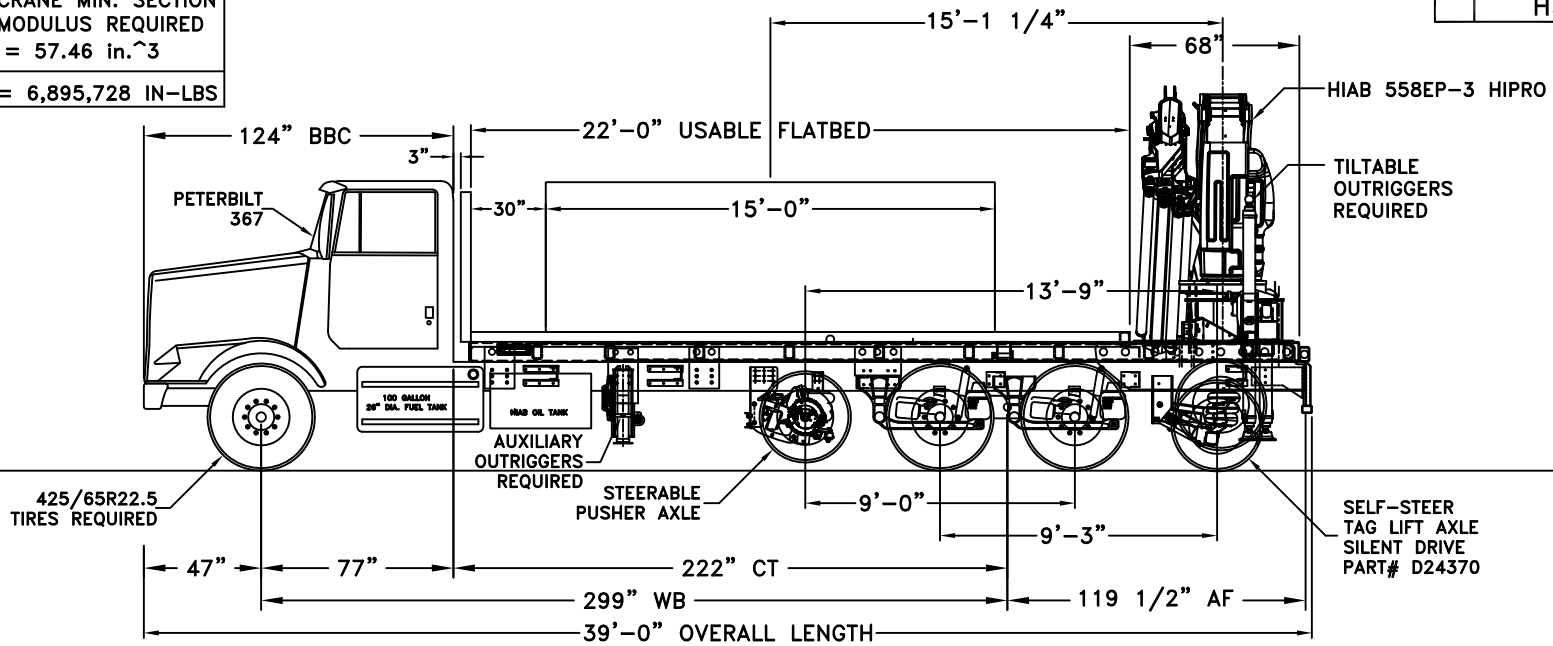


YIELD STRENGTH  
120,000 P.S.I. YIELD

CRANE MIN. SECTION  
MODULUS REQUIRED  
= 57.46 in.<sup>3</sup>

CRANE MIN. RBM/RAIL = 6,895,728 IN-LBS



TRUCK, HIAB CRANE & ACCESSORIES WEIGHT DISTRIBUTION, NO PAYLOAD, TAG AXLE DOWN.	
TOTAL WEIGHT ON FRONT AXLE	= 13,950 LBS.
TOTAL WEIGHT ON TANDEM AXLE	= 22,170 LBS.
TOTAL WEIGHT ON TAG AXLE	= 11,000 LBS.
FRONT AXLE WT. PERCENTAGE	= 30 %
TANDEM AXLE WT. PERCENTAGE	= 47 %
TAG AXLE WT. PERCENTAGE	= 23 %
GROSS VEHICLE WEIGHT	= 47,120 LBS.

TRUCK, HIAB CRANE & ACCESSORIES WEIGHT DIST., WITH PAYLOAD, PUSHER & TAG DOWN.	
TOTAL WEIGHT ON FRONT AXLE	= 18,290 LBS.
TOTAL WEIGHT ON PUSHER AXLE	= 8,000 LBS.
TOTAL WEIGHT ON TANDEM AXLE	= 30,210 LBS.
TOTAL WEIGHT ON TAG LIFT AXLE	= 11,000 LBS.
FRONT AXLE WT. PERCENTAGE	= 27 %
PUSHER AXLE WT. PERCENTAGE	= 13 %
TANDEM AXLE WT. PERCENTAGE	= 44 %
TAG LIFT AXLE WT. PERCENTAGE	= 16 %
GROSS VEHICLE WEIGHT	= 68,000 LBS.
PAYLOAD AS SHOWN-15' TANK	= 20,880 LBS.
*WATER LEVEL PAYLOAD	= 20,880 LBS.

TRUCK SPECIFICATIONS	
TRUCK MODEL	= PETERBILT 367
WHEELBASE	= 299"
CAB TO TANDEM	= 222"
AXLE-TO-FRAME	= 119 1/2"
FRONT CURB WEIGHT	= 11,100 LBS.
TANDEM CURB WEIGHT	= 9,200 LBS.
FRONT G.A.W.R.	= 20,000 LBS.
TANDEM G.A.W.R.	= 46,000 LBS.
YIELD STRENGTH OF EACH FRAME RAIL	120,000 P.S.I. YIELD
MINIMUM SECTION MODULUS REQUIRED	= 38.00 in. <sup>3</sup>
MINIMUM RBM/RAIL = 4,560,000 IN-LBS	

**NOTES:**  
 DOUBLE FRAME CHASSIS REQUIRED.  
 CHASSIS FRAME RAIL MIN. OF 38.0 SECTION MODULUS REQ'D.  
 FULL LENGTH SUB-FRAME REQUIRED:  
 8"x4"x1/2" RECT. TUBING (ON TOP OF CHASSIS FRAME)  
 6"x4"x1/2" RECT. TUBING (CROSSMEMBERS EVERY 3 FT.)  
 1/2" TOP & 3/8" BOTTOM PLATE REQUIRED.  
 BODY AND TAG AXLE WEIGHTS WERE ESTIMATED.  
 PUSHER AXLE AND CURB WEIGHTS WERE ESTIMATED.  
 TAG AXLE MUST BE DOWN IN ALL FORWARD GEARS.

TRUCK RUNS IN US (RULES FOR MOST STATES).  
 20,000 LBS. ALLOWED ON FRONT AXLE.  
 34,000 LBS. ALLOWED ON TANDEM AXLE.  
 42,500 LBS. ALLOWED ON 3 AXLE GROUP (9').  
 51,500 LBS. ALLOWED ON 4 AXLE GROUP (14).  
 68,000 LBS. ALLOWED FOR TRUCK GROSS WEIGHT (32').  
 MAXIMUM OVERALL LENGTH CANNOT EXCEED 40'.

**NOTICE:**  
 THE DRAWING PURPOSE IS TO INTRODUCE A GENERAL CONCEPT OF A PROPOSED IDEA.

**NOTICE:**  
 THIS WEIGHT DISTRIBUTION IS BASED ON ESTIMATED WEIGHTS AND IS ONLY AS ACCURATE AS THOSE ESTIMATES. ACTUAL WEIGHTS MAY CHANGE THE RESULTS OF THIS WEIGHT DISTRIBUTION.

**Hiab, Inc.**  
 Hiab, Inc.  
 12233 Williams Road  
 Perrysburg, Ohio 43551  
 Tel (419) 482-6000  
 Fax (419) 482-6001  
 Tolerances - unless otherwise noted.  
 Tolerances are in inches  
 2-PLACE ±.00..... .03  
 3-PLACE ±.000..... .015  
 ANGULAR ± ..... 1'  
 FRACTIONAL ± ..... 1/16"  
 Break all sharp corners unless otherwise specified.

THIS PROPERTY AND ALL INFORMATION THEREIN IS THE PROPERTY OF HIAB, INC., 12233 WILLIAMS RD, PERRYSBURG, OHIO 43551 AND IS CONFIDENTIAL. IT MUST NOT BE MADE PUBLIC OR COPIED. THIS DRAWING IS LOANED TO RETURN UPON DEMAND AND SHALL NOT BE USED DIRECTLY OR INDIRECTLY IN ANY WAY DETRIMENTAL TO OUR INTERESTS. OUR PRIOR SPECIFIC APPROVAL IS REQUIRED FOR EXPOSURE OF THIS DRAWING TO OTHERS FOR ANY PURPOSE.

Next Assy.

Dwg/Cad file no. 558 / SALES

Drawing Title: <b>HIAB 558EP-3 HIPRO CRANE</b>	
Project Name: <b>SALES LAYOUT</b>	
Drawn by/Date: CSV 1-12-18	Size: Part No.
Approval: Date Approved:	Scale: unit wt. Eng. job no.: