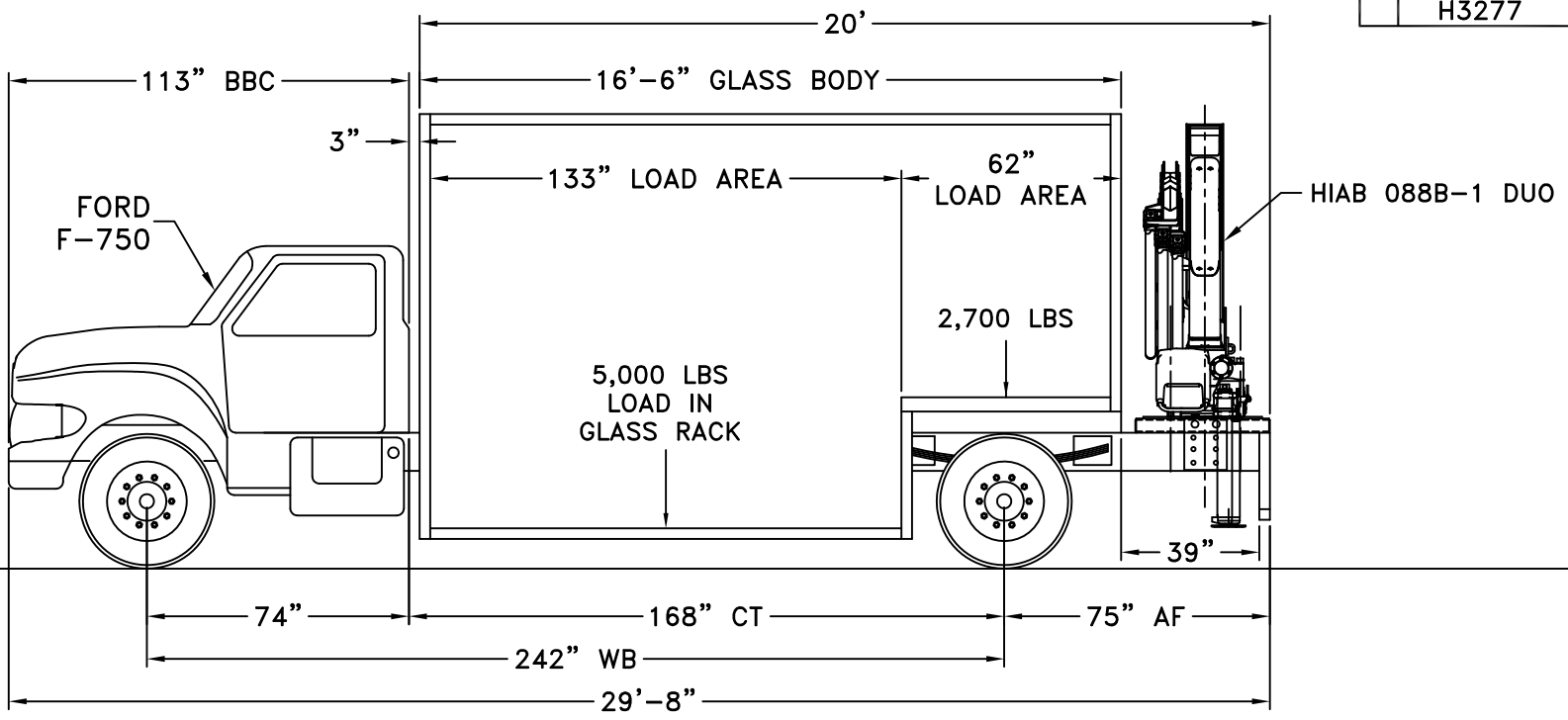


REV. PART NO. H3277



TRUCK, HIAB CRANE & ACCESSORIES WEIGHT DISTRIBUTION, NO PAYLOAD.	
TOTAL WEIGHT ON FRONT AXLE	= 7,860 LBS.
TOTAL WEIGHT ON REAR AXLE	= 10,440 LBS.
FRONT AXLE WT. PERCENTAGE	= 43 %
REAR AXLE WT. PERCENTAGE	= 57 %
GROSS VEHICLE WEIGHT	= 18,300 LBS.

TRUCK, HIAB CRANE & ACCESSORIES WEIGHT DISTRIBUTION, WITH PAYLOAD.	
TOTAL WEIGHT ON FRONT AXLE	= 9,810 LBS.
TOTAL WEIGHT ON REAR AXLE	= 16,190 LBS.
FRONT AXLE WT. PERCENTAGE	= 38 %
REAR AXLE WT. PERCENTAGE	= 62 %
GROSS VEHICLE WEIGHT	= 26,000 LBS.
PAYLOAD AS SHOWN	= 7,700 LBS.

TRUCK SPECIFICATIONS	
TRUCK MODEL	= FORD F-750
WHEELBASE	= 242"
CAB TO TANDEM	= 168"
AXLE-TO-FRAME	= 75"
FRONT AXLE TARE WEIGHT	= 7,183 LBS.
REAR AXLE TARE WEIGHT	= 4,282 LBS.
FRONT G.A.W.R.	= 10,000 LBS.
REAR G.A.W.R.	= 21,000 LBS.

YIELD STRENGTH OF MINIMUM SECTION EACH FRAME RAIL MODULUS REQUIRED	
110,000 P.S.I. YIELD	= 10.19 in. ³
MINIMUM RBM/RAIL OF 1,120,860 IN-LBS	

NOTES:
 FRAME RAIL MUST MEET THE MINIMUM RBM REQUIRED.
 RISER REQUIRED FOR OUTRIGGER CLEARANCE:
 4" x 4" x 3/8" SQ. TUBING (ON TOP OF FRAME RAIL)
 3" x 3" x 3/8" SQ. TUBING (CROSSMEMBERS)
 BODY WEIGHT WAS PROVIDED.
 CURB WEIGHTS WERE PROVIDED.

TRUCK RUNS IN US (RULES FOR MOST STATES.)
 10,000 LBS. ALLOWED ON FRONT AXLE GAWR.
 21,000 LBS. ALLOWED ON REAR AXLE GAWR.
 25,999 LBS. ALLOWED FOR GROSS WEIGHT.
 MAXIMUM LENGTH CANNOT EXCEED 40'.

NOTICE:
 THE DRAWING PURPOSE IS TO INTRODUCE
 A GENERAL CONCEPT OF A PROPOSED IDEA.

NOTICE:
 THIS WEIGHT DISTRIBUTION IS BASED ON ESTIMATED
 WEIGHTS AND IS ONLY AS ACCURATE AS THOSE
 ESTIMATES. ACTUAL WEIGHTS MAY CHANGE
 THE RESULTS OF THIS WEIGHT DISTRIBUTION.

Hiab, Inc.
 Hiab, Inc.
 12233 Williams Road
 Perrysburg, Ohio 43551
 Tel (419) 482-6000
 Fax (419) 482-6001

Tolerances - unless otherwise noted.
 Tolerances are in inches
 2-PLACE ±.00..... .03
 3-PLACE ±.000..... .015
 ANGULAR ± 1/16"
 FRACTIONAL ± 1/16"
 Break all sharp corners
 unless otherwise specified.

THIS PROPERTY AND ALL INFORMATION THEREIN IS THE PROPERTY OF HIAB, INC., 12233 WILLIAMS RD, PERRYSBURG, OHIO 43551 AND IS CONFIDENTIAL. IT MUST NOT BE MADE PUBLIC OR COPIED, THIS DRAWING IS LOANED TO RETURN UPON DEMAND AND SHALL NOT BE USED DIRECTLY OR INDIRECTLY IN ANY WAY DETRIMENTAL TO OUR INTERESTS. OUR PRIOR SPECIFIC APPROVAL IS REQUIRED FOR EXPOSURE OF THIS DRAWING TO OTHERS FOR ANY PURPOSE.

Next Assy.
 Dwg/Cad file no.
088 / SALES

Drawing Title:		HIAB 088B-1	
Project Name:		SALES LAYOUT	
Drawn by:	Date:	Size:	Part No.
CSV	6-22-16	C	
Approval:	Date Approved:	Scale:	unit wt.
		N/A	Eng. Job no.:

5

4

3

2

1

5

4

3

2

1