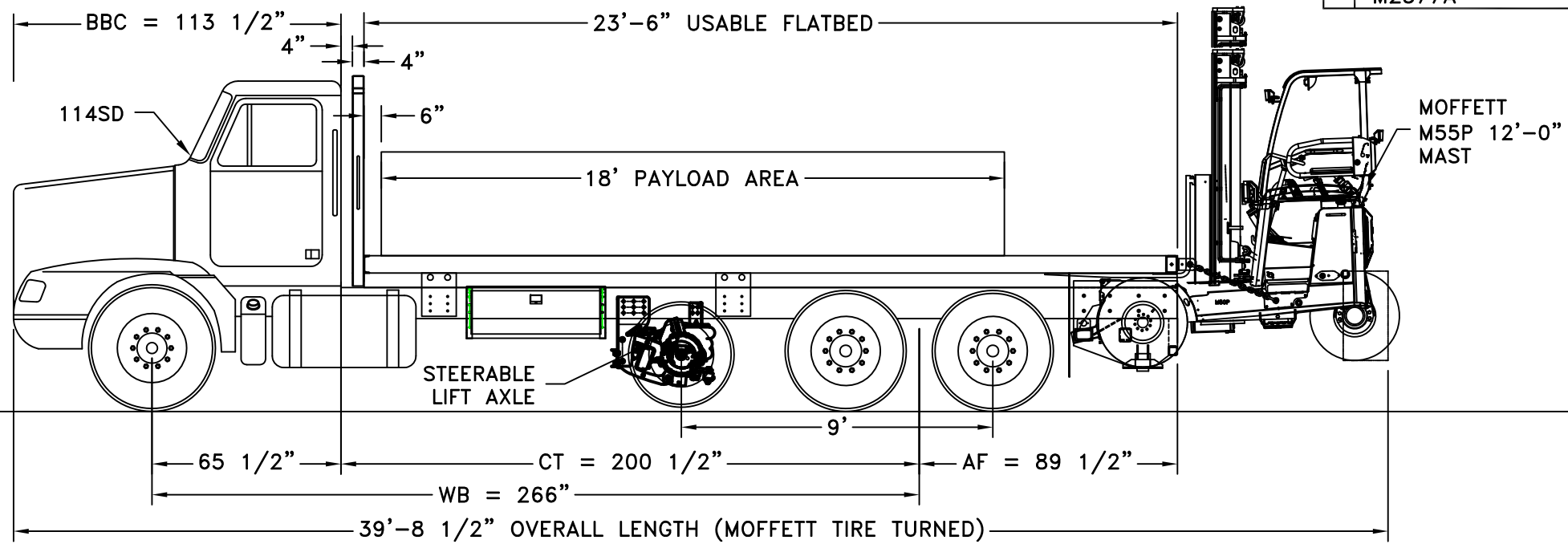


REV. PART NO. M2377A



TRUCK, MOFFETT & ACCESORIES WEIGHT DISTRIBUTION, <u>NO PAYLOAD</u> , PUSHER AXLE UP.	
TOTAL WEIGHT ON FRONT AXLE	= 8,200 LBS.
TOTAL WEIGHT ON TANDEM AXLE	= 24,700 LBS.
FRONT AXLE WT. PERCENTAGE	= 25 %
TANDEM AXLE WT. PERCENTAGE	= 75 %
GROSS VEHICLE WEIGHT	= 32,900 LBS.

TRUCK, MOFFETT & ACCESORIES WEIGHT DIST., <u>WITH PAYLOAD</u> , PUSHER AXLE DOWN.	
TOTAL WEIGHT ON FRONT AXLE	= 11,890 LBS.
TOTAL WEIGHT ON PUSHER AXLE	= 8,000 LBS.
TOTAL WEIGHT ON TANDEM AXLE	= 34,000 LBS.
FRONT AXLE WT. PERCENTAGE	= 22 %
PUSHER AXLE WT. PERCENTAGE	= 15 %
TANDEM AXLE WT. PERCENTAGE	= 63 %
GROSS VEHICLE WEIGHT	= 53,890 LBS.
PAYLOAD AS SHOWN	= 20,990 LBS.

*WATER LEVEL PAYLOAD = 11,510 LBS.

TRUCK SPECIFICATIONS	
TRUCK MODEL	= FREIGHTLINER 114SD
WHEELBASE	= 266"
CAB TO TANDEM	= 200 1/2"
AXLE TO FRAME	= 89 1/2"
FRONT AXLE TARE WEIGHT	= 9,600 LBS.
TANDEM AXLE TARE WEIGHT	= 8,700 LBS.
FRONT G.A.W.R.	= 18,000 LBS.
TANDEM G.A.W.R.	= 40,000 LBS.
YIELD STRENGTH OF EACH CHASSIS FRAME	MINIMUM SECTION MODULUS REQUIRED
120,000 PSI YIELD	= 17.56 in. ³
MINIMUM RBM/RAIL = 2,107,000 IN.-LBS.	

NOTES:
 DOUBLE FRAME CHASSIS REQUIRED.
 FRAME RAIL WITH THE MIN. RBM REQUIRED.
 TARE WEIGHTS ARE ESTIMATED.
 FLATBED BODY WEIGHT IS ESTIMATED.

TRUCK RUNS IN US (RULES FOR MOST STATES).
 18,000 LBS. ALLOWED ON FRONT AXLE GAWR.
 34,000 LBS. ALLOWED ON TANDEM.
 42,500 LBS. ALLOWED ON TRIDEM.
 58,000 LBS. ALLOWED FOR GROSS WEIGHT.
 ALLOWABLE LEGAL OVERALL LENGTH IS 40'.

NOTICE:

THE DRAWING PURPOSE IS TO INTRODUCE A GENERAL CONCEPT OF A PROPOSED IDEA.

NOTICE:

THIS WEIGHT DISTRIBUTION IS BASED ON ESTIMATED WEIGHTS AND IS ONLY AS ACCURATE AS THOSE ESTIMATES. ACTUAL WEIGHTS MAY CHANGE THE RESULTS OF THIS WEIGHT DISTRIBUTION.

Cargotec USA Cargotec USA 12233 Williams Road Perrysburg, Ohio 43551 Tel (419) 482-6000 Fax (419) 482-6001 <small>Tolerances - unless otherwise noted. 2-PLACE ±.000... .03 3-PLACE ±.000... .015 ANGULAR ±1/16" FRACTIONAL ±1/16" Break all sharp corners unless otherwise specified.</small>	<small>THIS PROPERTY AND ALL INFORMATION THEREIN IS THE PROPERTY OF CARGOTEC USA, 12233 WILLIAMS RD, PERRYSBURG, OHIO 43551 AND IS CONFIDENTIAL. IT MUST NOT BE MADE PUBLIC OR COPIED. THIS DRAWING IS LOANED TO RETURN UPON DEMAND AND SHALL NOT BE USED DIRECTLY OR INDIRECTLY IN ANY WAY DETRIMENTAL TO OUR INTERESTS. OUR PRIOR SPECIFIC APPROVAL IS REQUIRED FOR EXPOSURE OF THIS DRAWING TO OTHERS FOR ANY PURPOSE.</small> Next Assy. MOFFETT / SALES Dwg/Cad file no.	Drawing Title: MOFFETT M55P 12'-0" MAST		
		Project Name: SALES LAYOUT		
Drawn by: SMG Date: 10-18-16 Approval:	Size: 10-18-16 Date Approved:	Part No.:	Scale: unit wt.	Eng. Job no.: