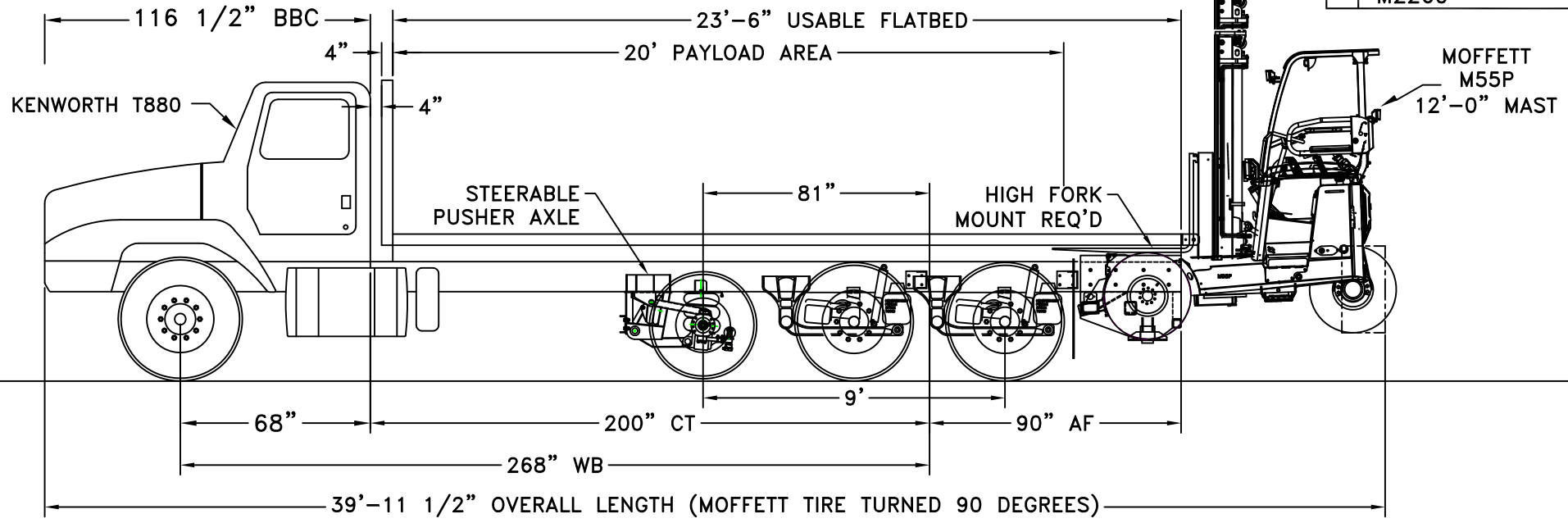


REV. PART NO. M2260



TRUCK, MOFFETT & ACCESORIES WEIGHT DISTRIBUTION, NO PAYLOAD. PUSHER AXLE UP.	
TOTAL WEIGHT ON FRONT AXLE	= 9,740 LBS.
TOTAL WEIGHT ON TANDEM AXLE	= 23,710 LBS.
FRONT AXLE WT. PERCENTAGE	= 29 %
TANDEM AXLE WT. PERCENTAGE	= 71 %
GROSS VEHICLE WEIGHT	= 33,450 LBS

NOTES:
 DOUBLE FRAME CHASSIS REQUIRED.
 FRAME RAIL WITH THE MINIMUM RBM REQUIRED.
 FLATBED WEIGHT IS ESTIMATED.
 CURB WEIGHTS WERE PROVIDED.

TRUCK, MOFFETT & ACCESORIES WEIGHT DISTRIBUTION, WITH PAYLOAD. PUSHER AXLE DOWN.	
TOTAL WEIGHT ON FRONT AXLE	= 13,220 LBS.
TOTAL WEIGHT ON PUSHER AXLE	= 6,500 LBS.
TOTAL WEIGHT ON TANDEM AXLE	= 34,000 LBS.
FRONT AXLE WT. PERCENTAGE	= 25 %
PUSHER AXLE WT. PERCENTAGE	= 12 %
TANDEM AXLE WT. PERCENTAGE	= 63 %
GROSS VEHICLE WEIGHT	= 53,720 LBS.
PAYLOAD AS SHOWN	= 20,270 LBS.

*WATER LEVEL PAYLOAD = 18,310 LBS.
 TRUCK RUNS IN US (RULES FOR MOST STATES).
 20,000 LBS. ALLOWED ON FRONT AXLE GAWR.
 34,000 LBS. ALLOWED ON TANDEM.
 42,500 LBS. ALLOWED ON TRIDEM.
 58,500 LBS. ALLOWED GROSS WEIGHT.
 ALLOWABLE LEGAL OVERALL LENGTH IS 40'.

TRUCK SPECIFICATIONS	
TRUCK MODEL	= KENWORTH T880
WHEELBASE	= 268"
CAB TO TANDEM	= 200"
AXLE TO FRAME	= 90"
FRONT AXLE TARE WEIGHT	= 10,911 LBS.
TANDEM AXLE TARE WEIGHT	= 7,939 LBS.
FRONT G.A.W.R.	= 20,000 LBS.
TANDEM G.A.W.R.	= 46,000 LBS.
YIELD STRENGTH OF EACH FRAME RAIL	MINIMUM SECTION MODULUS REQUIRED
110,000 PSI YIELD	= 17.05 in. ³
MINIMUM RBM/RAIL = 1,875,938 IN-LBS.	

NOTICE:
 THE DRAWING PURPOSE IS TO INTRODUCE A GENERAL CONCEPT OF A PROPOSED IDEA.

NOTICE:
 THIS WEIGHT DISTRIBUTION IS BASED ON ESTIMATED WEIGHTS AND IS ONLY AS ACCURATE AS THOSE ESTIMATES. ACTUAL WEIGHTS MAY CHANGE THE RESULTS OF THIS WEIGHT DISTRIBUTION.

Hiab, Inc.
 Hiab, Inc.
 12233 Williams Road
 Perrysburg, Ohio 43551
 Tel (419) 482-6000
 Fax (419) 482-6001

Tolerances - unless otherwise noted.
 Tolerances are in inches
 2-PLACE ±.000..... .05
 3-PLACE ±.000..... .015
 ANGULAR ± /16"
 FRACTIONAL ± /16"
 Break all sharp corners unless otherwise specified.

THIS PROPERTY AND ALL INFORMATION THEREIN IS THE PROPERTY OF Hiab, Inc., 12233 WILLIAMS RD, PERRYSBURG, OHIO 43551 AND IS CONFIDENTIAL. IT MUST NOT BE MADE PUBLIC OR COPIED. THIS DRAWING IS LOANED TO RETURN UPON DEMAND AND SHALL NOT BE USED DIRECTLY OR INDIRECTLY IN ANY WAY DETRIMENTAL TO OUR INTERESTS. OUR PRIOR SPECIFIC APPROVAL IS REQUIRED FOR EXPOSURE OF THIS DRAWING TO OTHERS FOR ANY PURPOSE.

Next Assy.
 Dwg/Cad file no.
MOFFETT / SALES

Drawing Title: MOFFETT M55P 12'-0" MAST			
Project Name: SALES LAYOUT			
Drawn by:	Date:	Size:	Part No.
CSV	12-9-15		
Approval:	Date Approved:	Scale:	unit wt.
			Eng. Job no.:

5 4 3 2 1

5 4 3 2 1