

YIELD STRENGTH
120,000 P.S.I. YIELD

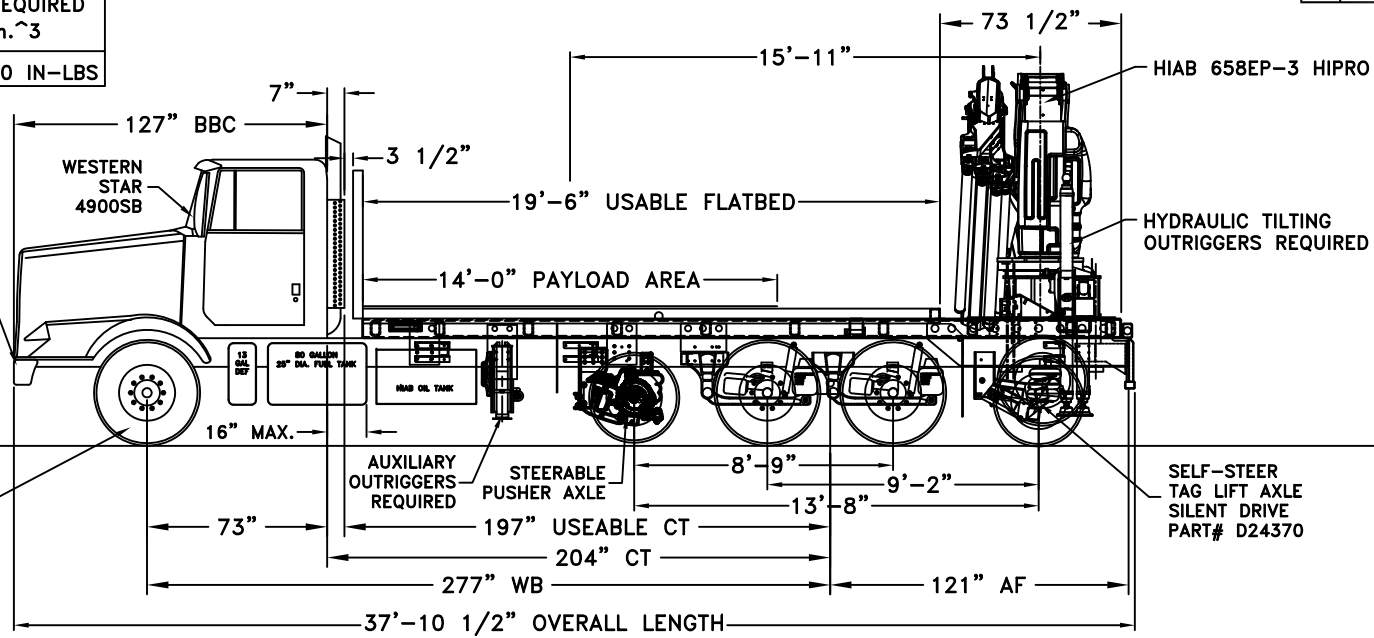
CRANE MIN. SECTION
MODULUS REQUIRED
= 66.02 in.³

CRANE MIN. RBM/RAIL = 7,922,200 IN-LBS

CRANE MAY BE DERATED
IN FRONT QUADRANTS AS
MUCH AS 15%. ACTUAL
DERATING SHALL BE BASED
ON PHYSICAL TESTING.

300 LBS. CTW
REQUIRES FRONT
LOGGER BUMPER

425/65R22.5
TIRES REQUIRED



HIAB 658EP-3 HIPRO

HYDRAULIC TILTING
OUTRIGGERS REQUIRED

TRUCK SPECIFICATIONS

TRUCK MODEL	= WS 4900SB
WHEELBASE	= 277"
CAB TO TANDEM	= 204", 197" USEABLE
AXLE-TO-FRAME	= 121"
FRONT CURB WEIGHT	= 12,282 LBS.
TANDEM CURB WEIGHT	= 10,765 LBS.
FRONT G.A.W.R.	= 20,000 LBS.
TANDEM G.A.W.R.	= 46,000 LBS.
YIELD STRENGTH OF EACH FRAME RAIL	MINIMUM SECTION MODULUS REQUIRED
120,000 P.S.I. YIELD	= 37.70 in. ³
MINIMUM RBM/RAIL = 4,524,000 IN-LBS	

NOTES:

DOUBLE FRAME CHASSIS REQUIRED.
CHASSIS FRAME RAIL MIN. OF 37.7 SECTION MODULUS REQ'D.
FULL LENGTH SUB-FRAME REQUIRED:
8"x4"x1/2" RECT. TUBING (ON TOP OF CHASSIS FRAME)
6"x4"x1/2" RECT. TUBING (CROSSMEMBERS EVERY 3 FT.)
1/2" TOP & 3/8" BOTTOM PLATE REQUIRED.
FLATBED & LIFT AXLE WEIGHTS ARE ESTIMATED.
CURB WEIGHTS WERE PROVIDED WITH PUSHER INSTALLED.
TAG AXLE MUST BE DOWN IN ALL FORWARD GEARS.

TRUCK RUNS IN US (RULES FOR MOST STATES).
20,000 LBS. ALLOWED ON FRONT AXLE.
34,000 LBS. ALLOWED ON TANDEM AXLE.
42,500 LBS. ALLOWED ON 3 AXLE GROUP. (9')
51,500 LBS. ALLOWED ON 4 AXLE GROUP. (14')
66,500 LBS. ALLOWED FOR TRUCK GROSS WEIGHT (30').
OVERALL LENGTH MUST NOT EXCEED 40'.

**TRUCK, HIAB CRANE & ACCESSORIES WEIGHT
DISTRIBUTION, NO PAYLOAD, TAG AXLE DOWN.**

TOTAL WEIGHT ON FRONT AXLE	= 14,180 LBS.
TOTAL WEIGHT ON TANDEM AXLE	= 24,720 LBS.
TOTAL WEIGHT ON TAG AXLE	= 11,000 LBS.
FRONT AXLE WT. PERCENTAGE	= 28 %
TANDEM AXLE WT. PERCENTAGE	= 50 %
TAG AXLE WT. PERCENTAGE	= 22 %
GROSS VEHICLE WEIGHT	= 49,900 LBS.

**TRUCK, HIAB CRANE & ACCESSORIES WEIGHT
DIST., WITH PAYLOAD, PUSHER & TAG DOWN.**

TOTAL WEIGHT ON FRONT AXLE	= 18,050 LBS.
TOTAL WEIGHT ON PUSHER AXLE	= 8,500 LBS.
TOTAL WEIGHT ON TANDEM AXLE	= 28,950 LBS.
TOTAL WEIGHT ON TAG AXLE	= 11,000 LBS.
FRONT AXLE WT. PERCENTAGE	= 27 %
PUSHER AXLE WT. PERCENTAGE	= 13 %
TANDEM AXLE WT. PERCENTAGE	= 44 %
TAG AXLE WT. PERCENTAGE	= 16 %

TRUCK GROSS VEHICLE WEIGHT	= 66,500 LBS.
PAYLOAD AS SHOWN-14' AREA	= 16,600 LBS.

*WATER WEIGHT PAYLOAD = 16,600 LBS.

NOTICE:
THE DRAWING PURPOSE IS TO INTRODUCE
A GENERAL CONCEPT OF A PROPOSED IDEA.

NOTICE:
THIS WEIGHT DISTRIBUTION IS BASED ON ESTIMATED
WEIGHTS AND IS ONLY AS ACCURATE AS THOSE
ESTIMATES. ACTUAL WEIGHTS MAY CHANGE
THE RESULTS OF THIS WEIGHT DISTRIBUTION.

Hiab, Inc.

Hiab, Inc.
12233 Williams Road
Perrysburg, Ohio 43551
Tel (419) 482-6000
Fax (419) 482-6001

Tolerances - unless otherwise noted.
Tolerances are in inches
2-PLACE ±.000... .03
3-PLACE ±.000... .015
ANGULAR ±/16"
FRACTIONAL ±/16"
Break all sharp corners
unless otherwise specified.

THIS PROPERTY AND ALL INFORMATION THEREIN IS
THE PROPERTY OF HIAB, INC., 12233 WILLIAMS RD,
PERRYSBURG, OHIO 43551 AND IS CONFIDENTIAL. IT
MUST NOT BE MADE PUBLIC OR COPIED. THIS DRAWING
IS LOANED TO RETURN UPON DEMAND AND SHALL NOT
BE USED DIRECTLY OR INDIRECTLY IN ANY WAY
DETIMENTAL TO OUR INTERESTS. OUR PRIOR SPECIFIC
APPROVAL IS REQUIRED FOR EXPOSURE OF THIS
DRAWING TO OTHERS FOR ANY PURPOSE.

Next Assy.
Dwg/Cad file no.
658 / SALES

Drawing Title:
HIAB 658EP-3 HIPRO CRANE

Project Name:
SALES LAYOUT

Drawn by:	Date:	Size:	Part No.
J W	4-30-16		
Approval:	Date Approved:	Scale:	unit wt.
			Eng. Job no.: