

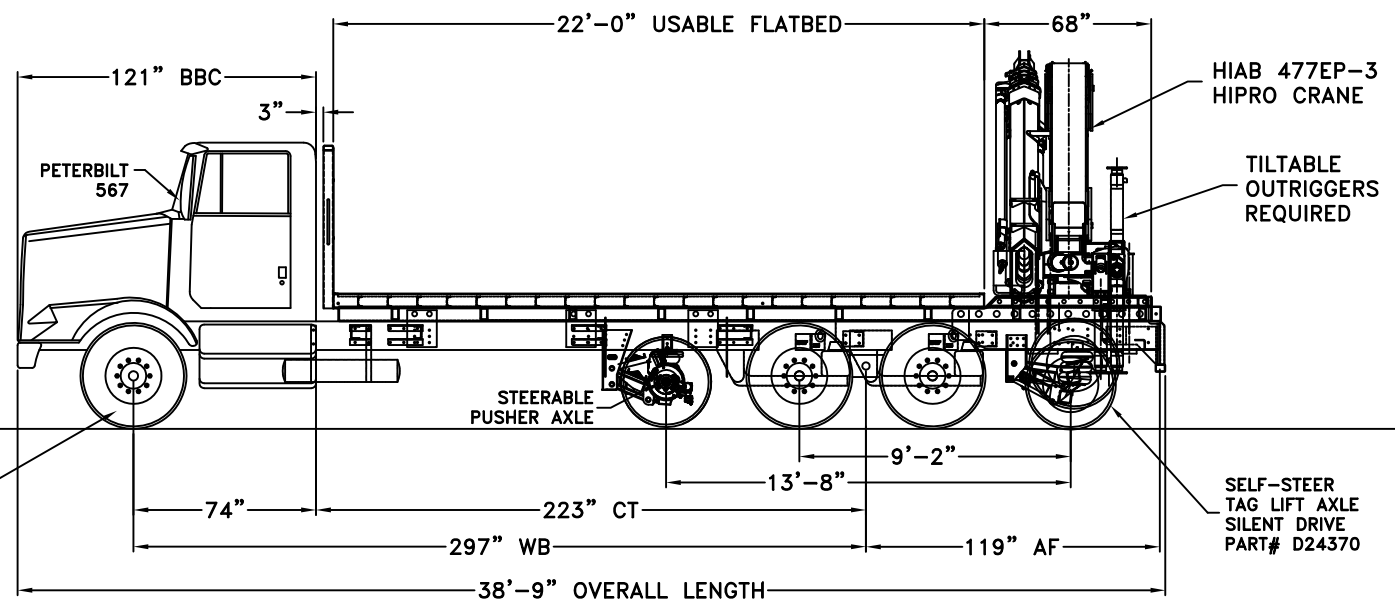
REV. PART NO. H2993

YIELD STRENGTH
120,000 P.S.I. YIELD

CRANE MINIMUM SECTION MODULUS REQUIRED
= 52.50 in.³

CRANE MIN. RBM/RAIL = 6,300,000 IN-LBS

CRANE MAY BE DERATED IN FRONT QUADRANTS AS MUCH AS 15%. ACTUAL DERATING SHALL BE BASED ON PHYSICAL TESTING.



TRUCK, HIAB CRANE & ACCESSORIES WEIGHT DISTRIBUTION, <u>NO PAYLOAD</u> , TAG AXLE DOWN.	
TOTAL WEIGHT ON FRONT AXLE	= 13,770 LBS.
TOTAL WEIGHT ON TANDEM AXLE	= 19,270 LBS.
TOTAL WEIGHT ON TAG AXLE	= 11,000 LBS.
FRONT AXLE WT. PERCENTAGE	= 31 %
TANDEM AXLE WT. PERCENTAGE	= 44 %
TAG AXLE WT. PERCENTAGE	= 25 %
GROSS VEHICLE WEIGHT	= 44,040 LBS.

TRUCK SPECIFICATIONS	
TRUCK MODEL	= PETERBILT 567
WHEELBASE	= 297"
CAB TO TANDEM AXLE-TO-FRAME	= 223"
FRONT TARE WEIGHT	= 11,400 LBS.
TANDEM TARE WEIGHT	= 9,300 LBS.
FRONT G.A.W.R.	= 20,000 LBS.
TANDEM G.A.W.R.	= 46,000 LBS.
YIELD STRENGTH OF EACH FRAME RAIL	MINIMUM SECTION MODULUS REQUIRED
120,000 P.S.I. YIELD	= 37.00 in. ³
MINIMUM RBM/RAIL = 4,440,000 IN-LBS	

NOTES:
 DOUBLE FRAME CHASSIS REQUIRED.
 CHASSIS FRAME RAIL MIN. OF 37.0 SECTION MODULUS REQ'D.
 FULL LENGTH SUB-FRAME REQUIRED:
 6" x 4" x 3/8" RECT. TUBING (ON TOP OF CHASSIS FRAME)
 5" x 3" x 3/8" RECT. TUBING (CROSSMEMBERS EVERY 3 FT.)
 3/8" TOP & 1/4" BOTTOM PLATE REQUIRED.
 FLATBED, LIFT AXLE & TARE WEIGHTS ARE ESTIMATED.
 TAG AXLE MUST BE DOWN IN ALL FORWARD GEARS.

TRUCK, HIAB CRANE & ACCESSORIES WEIGHT DIST, <u>WITH PAYLOAD</u> , PUSHER & TAG DOWN.	
TOTAL WEIGHT ON FRONT AXLE	= 18,090 LBS.
TOTAL WEIGHT ON PUSHER AXLE	= 8,500 LBS.
TOTAL WEIGHT ON TANDEM AXLE	= 29,910 LBS.
TOTAL WEIGHT ON TAG AXLE	= 11,000 LBS.
FRONT AXLE WT. PERCENTAGE	= 27 %
PUSHER AXLE WT. PERCENTAGE	= 13 %
TANDEM AXLE WT. PERCENTAGE	= 44 %
TAG AXLE WT. PERCENTAGE	= 16 %
GROSS VEHICLE WEIGHT	= 67,500 LBS.
WATER LEVEL PAYLOAD	= 23,460 LBS.

TRUCK RUNS IN US (RULES FOR MOST STATES).
 20,000 LBS. ALLOWED ON FRONT AXLE.
 34,000 LBS. ALLOWED ON TANDEM AXLE.
 42,500 LBS. ALLOWED ON 3 AXLE GROUP. (9')

NOTICE:
 THE DRAWING PURPOSE IS TO INTRODUCE A GENERAL CONCEPT OF A PROPOSED IDEA.

NOTICE:
 THIS WEIGHT DISTRIBUTION IS BASED ON ESTIMATED WEIGHTS AND IS ONLY AS ACCURATE AS THOSE ESTIMATES. ACTUAL WEIGHTS MAY CHANGE THE RESULTS OF THIS WEIGHT DISTRIBUTION.

Hiab, Inc.
 Hiab, Inc.
 12233 Williams Road
 Perrysburg, Ohio 43551
 Tel (419) 482-6000
 Fax (419) 482-6001

Tolerances - unless otherwise noted.
 Tolerances are in inches
 2-PLACE ±.000... .03
 3-PLACE ±.000... .015
 ANGULAR ±/16"
 FRACTIONAL ±/16"
 Break all sharp corners unless otherwise specified.

THIS PROPERTY AND ALL INFORMATION THEREIN IS THE PROPERTY OF HIAB, INC., 12233 WILLIAMS RD, PERRYSBURG, OHIO 43551 AND IS CONFIDENTIAL. IT MUST NOT BE MADE PUBLIC OR COPIED. THIS DRAWING IS LOANED TO RETURN UPON DEMAND AND SHALL NOT BE USED DIRECTLY OR INDIRECTLY IN ANY WAY DETRIMENTAL TO OUR INTERESTS. OUR PRIOR SPECIFIC APPROVAL IS REQUIRED FOR EXPOSURE OF THIS DRAWING TO OTHERS FOR ANY PURPOSE.

Next Assy.
 Dwg/Cad file no. 477 / SALES

Drawing Title: HIAB 477EP-3 HIPRO CRANE			
Project Name: SALES LAYOUT			
Drawing by: J W	Date: 9-11-14	Size:	Part No.:
Approval:	Date Approved:	Scale:	unit wt. Eng. Job no.:

5 4 3 2 1

5 4 3 2 1