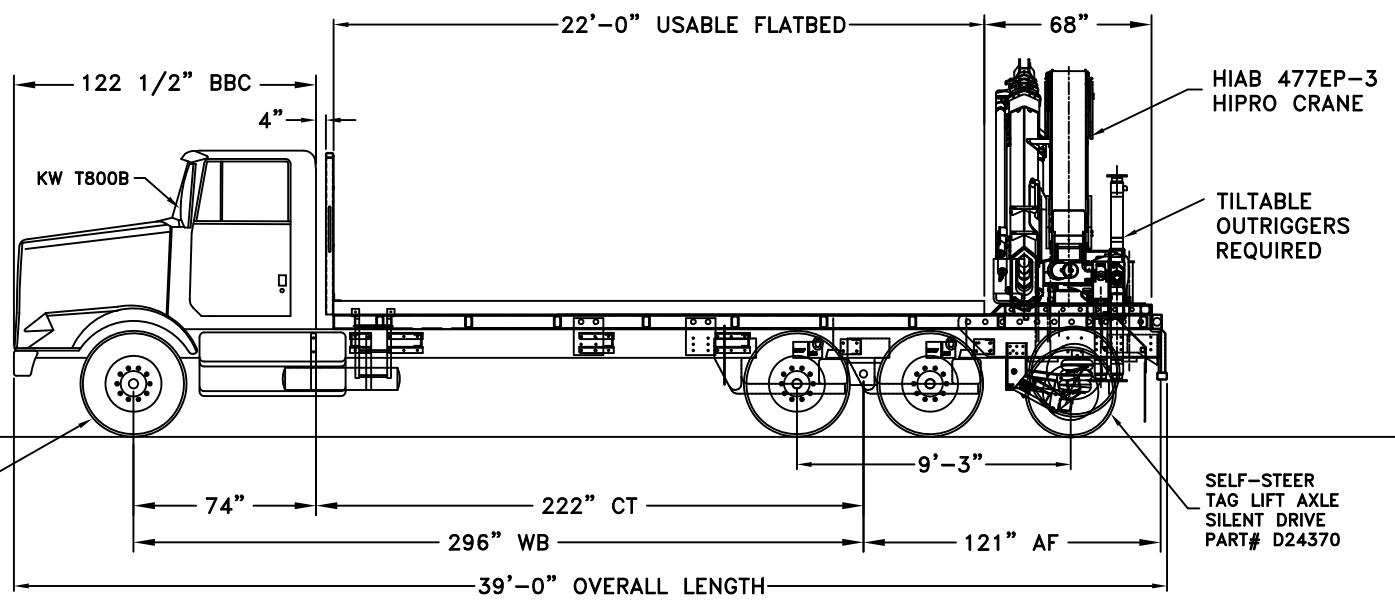


YIELD STRENGTH  
110,000 P.S.I. YIELD

CRANE MINIMUM SECTION MODULUS REQUIRED  
= 57.27 in.<sup>3</sup>

CRANE MIN. RBM/RAIL = 6,300,000 IN-LBS

CRANE MAY BE DERATED IN FRONT QUADRANTS AS MUCH AS 20%. ACTUAL DERATING SHALL BE BASED ON PHYSICAL TESTING.



TRUCK, HIAB CRANE, & ACCESSORIES WEIGHT DISTRIBUTION, <u>NO PAYLOAD</u> , TAG AXLE DOWN.	
TOTAL WEIGHT ON FRONT AXLE	= 13,680 LBS.
TOTAL WEIGHT ON TANDEM AXLE	= 17,870 LBS.
TOTAL WEIGHT ON TAG AXLE	= 11,000 LBS.
FRONT AXLE WT. PERCENTAGE	= 32 %
TANDEM AXLE WT. PERCENTAGE	= 42 %
TAG AXLE WT. PERCENTAGE	= 26 %
GROSS VEHICLE WEIGHT	= 42,550 LBS.

TRUCK, HIAB CRANE & ACCESSORIES WEIGHT DISTRIBUTION, <u>WITH PAYLOAD</u> , TAG AXLE DOWN.	
TOTAL WEIGHT ON FRONT AXLE	= 18,990 LBS.
TOTAL WEIGHT ON TANDEM AXLE	= 31,500 LBS.
TOTAL WEIGHT ON TAG LIFT AXLE	= 11,000 LBS.
FRONT AXLE WT. PERCENTAGE	= 31 %
TANDEM AXLE WT. PERCENTAGE	= 51 %
TAG LIFT AXLE WT. PERCENTAGE	= 18 %
GROSS VEHICLE WEIGHT	= 61,490 LBS.
WATER LEVEL PAYLOAD	= 18,940 LBS.

TRUCK SPECIFICATIONS	
TRUCK MODEL	= KENWORTH T800B
WHEELBASE	= 296"
CAB TO TANDEM AXLE-TO-FRAME	= 222"
FRONT TARE WEIGHT	= 11,500 LBS.
TANDEM TARE WEIGHT	= 9,300 LBS.
FRONT G.A.W.R.	= 20,000 LBS.
TANDEM G.A.W.R.	= 46,000 LBS.
YIELD STRENGTH OF EACH FRAME RAIL	MINIMUM SECTION MODULUS REQUIRED
110,000 P.S.I. YIELD	= 37.00 in. <sup>3</sup>
MINIMUM RBM/RAIL = 4,070,000 IN-LBS	

**NOTES:**  
 DOUBLE FRAME CHASSIS REQUIRED.  
 CHASSIS FRAME RAIL MIN. OF 37.0 SECTION MODULUS REQ'D.  
 FULL LENGTH SUB-FRAME REQUIRED:  
 6" x 4" x 3/8" RECT. TUBING (ON TOP OF CHASSIS FRAME)  
 5" x 3" x 3/8" RECT. TUBING (CROSSMEMBERS EVERY 3 FT.)  
 3/8" TOP & 1/4" BOTTOM PLATE REQUIRED.  
TAG AXLE MUST BE DOWN IN ALL FORWARD GEARS  
 FLATBED, LIFT AXLES & TARE WEIGHTS ARE ESTIMATED.  
 HANDLING & MANEUVERABILITY IS POOR WITH LONG WHEELBASE.  
 \*PAYLOAD WILL BE REDUCED ON LOW WEIGHT ROADS.

TRUCK RUNS IN MISSISSIPPI.  
 20,000 LBS. ALLOWED ON FRONT AXLE GAWR.  
 34,000 LBS. ALLOWED ON TANDEM AXLE.  
 42,500 LBS. ALLOWED ON 3 AXLE GROUP. (9')  
 62,500 LBS. ALLOWED FOR GROSS WEIGHT (31').  
 OVERALL LENGTH CANNOT EXCEED 40'.

**NOTICE:**  
 THE DRAWING PURPOSE IS TO INTRODUCE A GENERAL CONCEPT OF A PROPOSED IDEA.

**NOTICE:**  
 THIS WEIGHT DISTRIBUTION IS BASED ON ESTIMATED WEIGHTS AND IS ONLY AS ACCURATE AS THOSE ESTIMATES. ACTUAL WEIGHTS MAY CHANGE THE RESULTS OF THIS WEIGHT DISTRIBUTION.

**Hiab, Inc.**  
 Hiab, Inc.  
 12233 Williams Road  
 Perrysburg, Ohio 43551  
 Tel (419) 482-6000  
 Fax (419) 482-6001

Tolerances - unless otherwise noted.  
 2-PLACE ±.000... .03  
 3-PLACE ±.000... .015  
 ANGULAR ± ...../16"  
 FRACTIONAL ± ...../16"  
 Break all sharp corners unless otherwise specified.

THIS PROPERTY AND ALL INFORMATION THEREIN IS THE PROPERTY OF HIAB, INC., 12233 WILLIAMS RD, PERRYSBURG, OHIO 43551 AND IS CONFIDENTIAL. IT MUST NOT BE MADE PUBLIC OR COPIED. THIS DRAWING IS LOANED TO RETURN UPON DEMAND AND SHALL NOT BE USED DIRECTLY OR INDIRECTLY IN ANY WAY DETRIMENTAL TO OUR INTERESTS. OUR PRIOR SPECIFIC APPROVAL IS REQUIRED FOR EXPOSURE OF THIS DRAWING TO OTHERS FOR ANY PURPOSE.

Next Assy.  
 Dwg/Cad file no. 477 / SALES

Drawing Title: <b>HIAB 477EP-3 HIPRO CRANE</b>			
Project Name: <b>SALES LAYOUT</b>			
Drawn by: <b>J W</b>	Date: <b>5-9-14</b>	Size:	Part No.:
Approval:	Date Approved:	Scale:	unit wt. Eng. Job no.: