

TECHNICAL SPECIFICATIONS
HIAB X-HIPRO 362

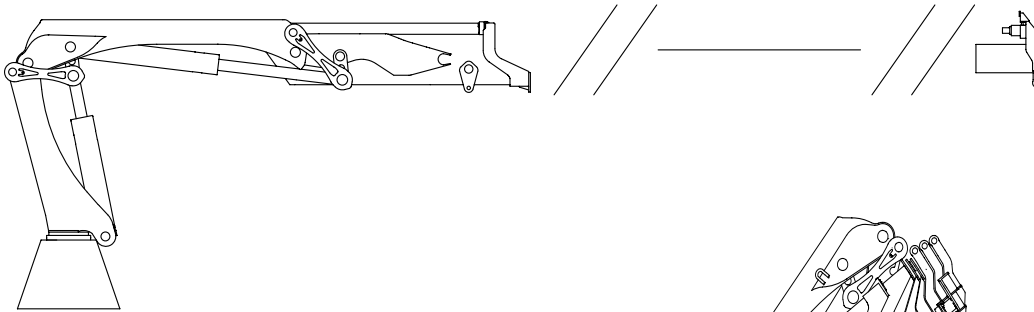


BUILT TO PERFORM

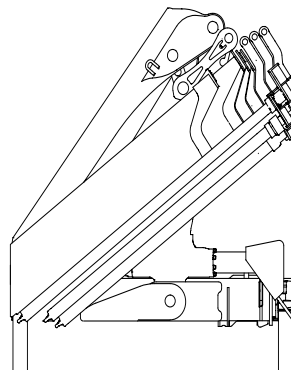


HIAB X-HIPRO 362 BASIC DATA

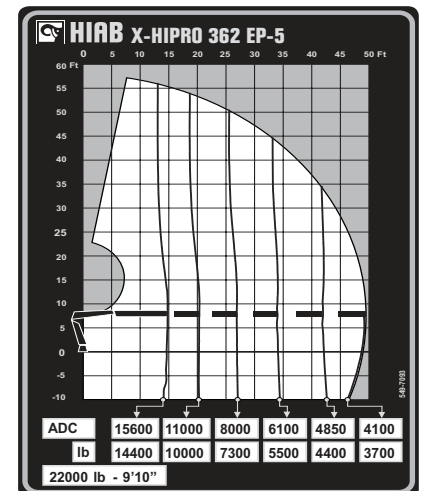
TECHNICAL DATA	X-HIPRO 362EP-2	X-HIPRO 362EP-3	X-HIPRO 362EP-4	X-HIPRO 362EP-5
Max. lifting capacity (ft-lbs)	242 460	236 960	231 970	228 570
Outreach, hydraulic extensions (ft)	26' 3"	33' 9"	41' 7"	49' 5"
Outreach / lifting capacity (ft-lbs)	10' 6" - 22 050 13' 9" - 17 640 19' 8" - 12 350 26' 3" - 9 260	10' 6" - 22 050 14' 1" - 16 980 19' 8" - 11 900 26' 3" - 8 930 33' 6" - 6 940	10' 2" - 22 050 14' 5" - 16 310 20' 0" - 11 460 26' 7" - 8 380 33' 10" - 6 390 41' 4" - 5 200	9' 10" - 22 050 14' 9" - 15 650 20' 4" - 11 020 26' 11" - 7 940 34' 1" - 6 060 41' 8" - 4 850 49' 3" - 4 100
Slewing angle (°)	420	420	420	420
Height in folded position (in)	94	94	94	94
Width in folded position (in)	98	98	98	98
Installation space needed (in)	47	47	49	49
Weight, "standard" crane without stabilizers (lbs)	6 950	7 420	7 870	8 220
Weight, stabilizer equipment (lbs)	1 000 - 1 230	1 000 - 1 230	1 000 - 1 230	1 000 - 1 230



X-HiPro 362
Side View



X-HiPro 362
Front View



Disclaimer. Hiab cranes have been built to meet the highest standards of safety and service life and have been thoroughly tested. Strength calculations for this model have been carried out in accordance with EN13001 in fatigue class S2. Cargotec's certified Quality Assurance System complies with ISO 9001. Some of the items in our literature may be extra equipment. Certain applications may require an official permit. We reserve the right to change technical specifications without prior notice.

Hiab is the world's leading provider of on-road load handling equipment. Our high performance product range includes loader cranes, forestry and recycling cranes, demountables, truck mounted forklifts and tail lifts. We aim to set the industry benchmark for customer satisfaction by providing products and services that meet customer needs globally.

www.hiab.us.com
Hiab is part of Cargotec.
www.cargotec.com

Hiab USA Inc
12233 Williams Road
Perrysburg, OH 43551 USA
tel. +419 482 6000
fax. +419 482 6001

