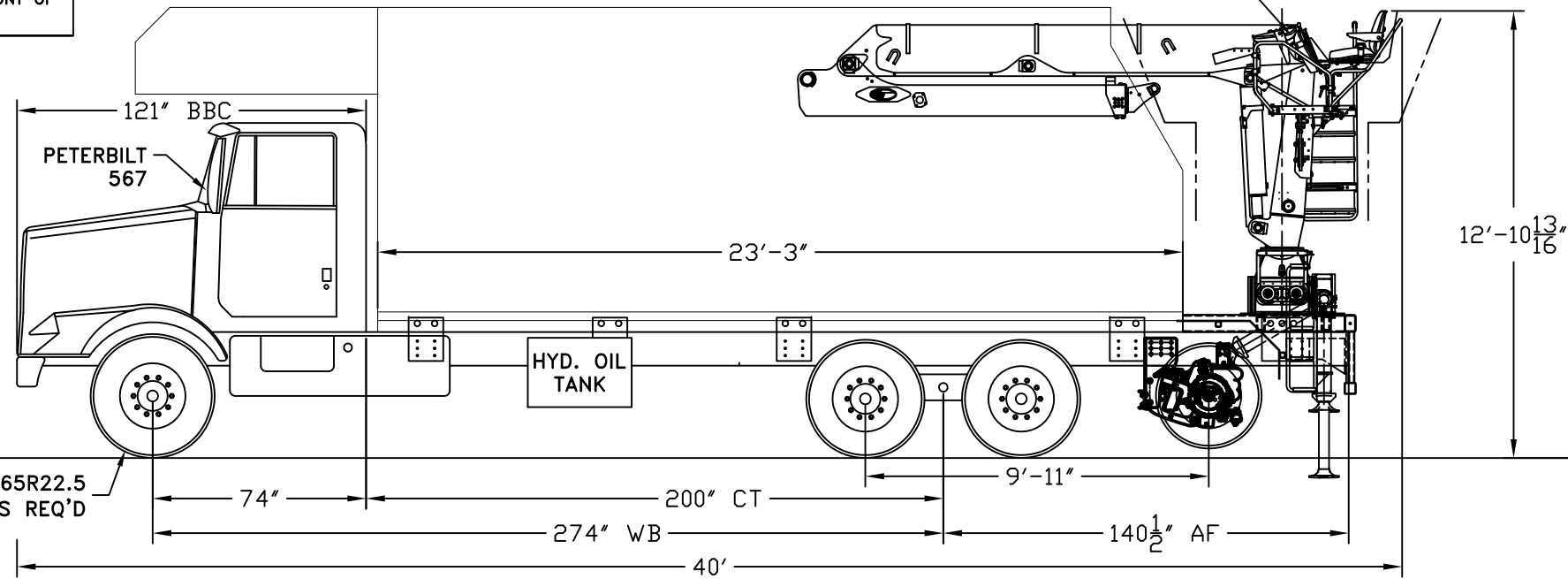


LOADER WILL BE UNSTABLE AT MAX CAPACITY AT FULL REACH IN FRONT OF THE OUTRIGGERS.

REV. PART NO. J1028



TRUCK, HIAB LOADER & ACCESSORIES WEIGHT DISTRIBUTION, NO PAYLOAD, LIFT AXLE UP.	
TOTAL WEIGHT ON FRONT AXLE	= 11,940 LBS.
TOTAL WEIGHT ON REAR AXLE	= 25,560 LBS.
FRONT AXLE WT. PERCENTAGE	= 31 %
REAR AXLE WT. PERCENTAGE	= 69 %
GROSS VEHICLE WEIGHT	= 35,500 LBS.

TRUCK, HIAB LOADER & ACCESSORIES WEIGHT DISTRIBUTION, WITH PAYLOAD, LIFT AXLE DOWN	
TOTAL WEIGHT ON FRONT AXLE	= 19,880 LBS.
TOTAL WEIGHT ON REAR AXLE	= 33,620 LBS.
TOTAL WEIGHT ON LIFT AXLE	= 9,000 LBS.
FRONT AXLE WT. PERCENTAGE	= 32 %
REAR AXLE WT. PERCENTAGE	= 54 %
LIFT AXLE WT. PERCENTAGE	= 14 %
GROSS VEHICLE WEIGHT	= 62,500 LBS.
WATER LEVEL PAYLOAD	= 27,000 LBS.

TRUCK SPECIFICATIONS	
TRUCK MODEL	= PETERBILT 567
WHEELBASE	= 274"
CAB TO TANDEM	= 200"
AXLE-TO-FRAME	= 140 1/2"
FRONT AXLE CURB WEIGHT	= 10,700 LBS.
REAR AXLE CURB WEIGHT	= 8,500 LBS.
FRONT G.A.W.R.	= 20,000 LBS.
REAR G.A.W.R.	= 46,000 LBS.
YIELD STRENGTH OF EACH FRAME RAIL	MINIMUM SECTION MODULUS REQUIRED
120,000 P.S.I. YIELD	= 21.81 in. ³
MINIMUM RBM/RAIL OF 2,617,692 IN-LBS	

NOTES:
 DOUBLE FRAME RAIL CHASSIS REQUIRED.
 CHASSIS FRAME RAIL MUST MEET OR EXCEED MINIMUM RBM.
 RISER REQUIRED FOR OUTRIGGER CLEARANCE.
 6"x4"x3/8" RECT. TUBING (ON TOP OF CHASSIS FRAME)
 5"x3"x3/8" RECT. TUBING (CROSS MEMBERS EVERY 3')
 BODY WEIGHT WAS ESTIMATED.
 CURB WEIGHTS WERE ESTIMATED.

TRUCK RUNS IN US (RULES FOR MOST STATES).
 20,000 LBS. ALLOWED ON FRONT AXLE.
 34,000 LBS. ALLOWED ON TANDEM.
 43,500 LBS. ALLOWED ON 10' TRIDEM.
 62,500 LBS. ALLOWED FOR GROSS WEIGHT.
 MAXIMUM LENGTH CANNOT EXCEED 40'.

NOTICE:
 THE DRAWING PURPOSE IS TO INTRODUCE A GENERAL CONCEPT OF A PROPOSED IDEA.

NOTICE:
 THIS WEIGHT DISTRIBUTION IS BASED ON ESTIMATED WEIGHTS AND IS ONLY AS ACCURATE AS THOSE ESTIMATES. ACTUAL WEIGHTS MAY CHANGE THE RESULTS OF THIS WEIGHT DISTRIBUTION.

Hiab, Inc.
 12233 Williams Road
 Perrysburg, Ohio 43551
 Tel (419) 482-6000
 Fax (419) 482-6001

Tolerances - unless otherwise noted.
 Tolerances are in inches.
 2-PLACE ±.00..... .03
 3-PLACE ±.000..... .015
 ANGULAR ± 1'
 FRACTIONAL ± 1/16"
 Break all sharp corners unless otherwise specified.

THIS PROPERTY AND ALL INFORMATION THEREIN IS THE PROPERTY OF HIAB, INC., 12233 WILLIAMS RD, PERRYSBURG, OHIO 43551 AND IS CONFIDENTIAL. IT MUST NOT BE MADE PUBLIC OR COPIED. THIS DRAWING IS LOANED TO RETURN UPON DEMAND AND SHALL NOT BE USED DIRECTLY OR INDIRECTLY IN ANY WAY DETRIMENTAL TO OUR INTERESTS. OUR PRIOR SPECIFIC APPROVAL IS REQUIRED FOR EXPOSURE OF THIS DRAWING TO OTHERS FOR ANY PURPOSE.

Next Assy.
JONSERED/SALES
 Dwg/Cad file no.

Drawing Title:
 JONSERED J24S 91

Project Name:
 SALES LAYOUT

Drawing by/Date:
 SMG 2-19-20

Size: N/A
Part No.:

Approval: Date Approved: Scale: unit wt. Eng. job no.: