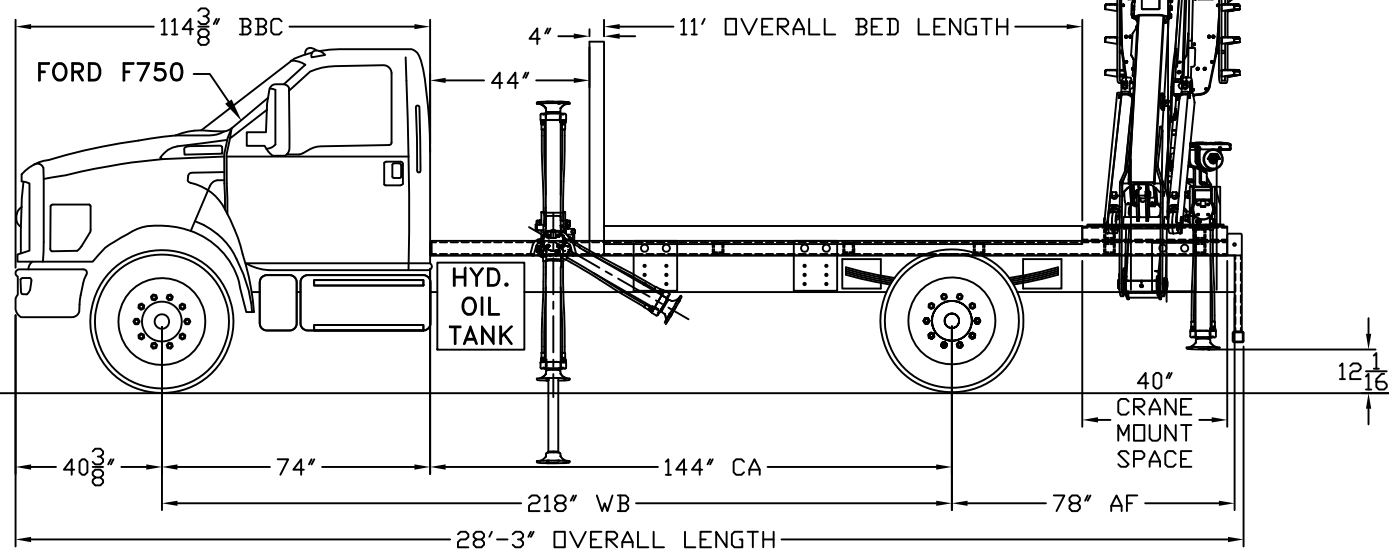


REV. PART NO. L1031A

LOGLIFT
105Z 89



TRUCK, LOGLIFT LOADER & ACCESSORIES WEIGHT DISTRIBUTION, <u>NO PAYLOAD.</u>	
TOTAL WEIGHT ON FRONT AXLE	= 7,030 LBS.
TOTAL WEIGHT ON REAR AXLE	= 13,080 LBS.
FRONT AXLE WT. PERCENTAGE	= 35 %
REAR AXLE WT. PERCENTAGE	= 65 %
GROSS VEHICLE WEIGHT	= 20,110 LBS.

TRUCK, LOGLIFT LOADER & ACCESSORIES WEIGHT DISTRIBUTION, <u>WITH PAYLOAD.</u>	
TOTAL WEIGHT ON FRONT AXLE	= 7,840 LBS.
TOTAL WEIGHT ON REAR AXLE	= 18,160 LBS.
FRONT AXLE WT. PERCENTAGE	= 30 %
REAR AXLE WT. PERCENTAGE	= 70 %
GROSS VEHICLE WEIGHT	= 26,000 LBS.
WATER LEVEL PAYLOAD	= 5,890 LBS.

TRUCK SPECIFICATIONS	
TRUCK MODEL	= FORD F750
WHEELBASE	= 218"
CAB TO AXLE	= 144"
AXLE-TO-FRAME	= 78"
FRONT AXLE CURB WEIGHT	= 6,823 LBS.
REAR AXLE CURB WEIGHT	= 4,055 LBS.
FRONT G.A.W.R.	= 10,000 LBS.
REAR G.A.W.R.	= 19,000 LBS.
YIELD STRENGTH OF EACH FRAME RAIL	MINIMUM SECTION MODULUS REQUIRED
80,000 P.S.I. YIELD	= 12.35 in. ³
MINIMUM RBM/RAIL OF 1,481,444 IN-LBS	

NOTES:
 FRAME RAIL MUST MEET THE MINIMUM RBM REQUIRED.
 FULL LENGTH SUBFRAME REQUIRED:
 4"x4"x3/8" SQ. TUBING (ON TOP OF FRAME RAIL)
 3"x3"x3/8" SQ. TUBING (CROSS MEMBERS)
 RISER REQUIRED FOR OUTRIGGER CLEARANCE:
 4"x4"x3/8" SQ. TUBING (ON TOP OF FRAME RAIL)
 3"x3"x3/8" SQ. TUBING (CROSS MEMBERS)
 FLATBED WEIGHTS ARE ESTIMATED.
 CURB WEIGHTS WERE TAKEN FROM THE FORD WEBSITE.

TRUCK RUNS IN US (RULES FOR MOST STATES).
 10,000 LBS. ALLOWED ON FRONT AXLE GAWR.
 19,000 LBS. ALLOWED ON REAR AXLE GAWR.
 26,000 LBS. ALLOWED FOR GROSS WEIGHT.
 MAXIMUM LENGTH CANNOT EXCEED 40'.

NOTICE:
 THE DRAWING PURPOSE IS TO INTRODUCE
 A GENERAL CONCEPT OF A PROPOSED IDEA.

NOTICE:
 THIS WEIGHT DISTRIBUTION IS BASED ON ESTIMATED
 WEIGHTS AND IS ONLY AS ACCURATE AS THOSE
 ESTIMATES. ACTUAL WEIGHTS MAY CHANGE
 THE RESULTS OF THIS WEIGHT DISTRIBUTION.

Hiab, Inc.
 Hiab, Inc.
 12233 Williams Road
 Perrysburg, Ohio 43551
 Tel (419) 482-6000
 Fax (419) 482-6001
 Tolerances - unless otherwise noted.
 Tolerances are in inches
 2-PLACE ±.000.....±.03
 3-PLACE ±.000.....±.015
 ANGULAR ±1'
 FRACTIONAL ±1/16"
 Break all sharp corners
 unless otherwise specified.

THIS PROPERTY AND ALL INFORMATION THEREIN IS THE PROPERTY OF HIAB, INC., 12233 WILLIAMS RD, PERRYSBURG, OHIO 43551 AND IS CONFIDENTIAL. IT MUST NOT BE MADE PUBLIC OR COPIED. THIS DRAWING IS LOANED TO RETURN UPON DEMAND AND SHALL NOT BE USED DIRECTLY OR INDIRECTLY IN ANY WAY DETRIMENTAL TO OUR INTERESTS. OUR PRIOR SPECIFIC APPROVAL IS REQUIRED FOR EXPOSURE OF THIS DRAWING TO OTHERS FOR ANY PURPOSE.

Next Assy.
 Dwg/Cad file no.
105Z / SALES

Drawing Title:
 LOGGLIFT 105Z 89

Project Name:
 SALES LAYOUT

Drawn by/Date:
 SMG 8-5-20

Size: unit wt.
Part No.: Eng. job no.:

Approval: Date Approved: Scale: