

TECHNICAL SPECIFICATIONS
HIAB X-HIPRO 408

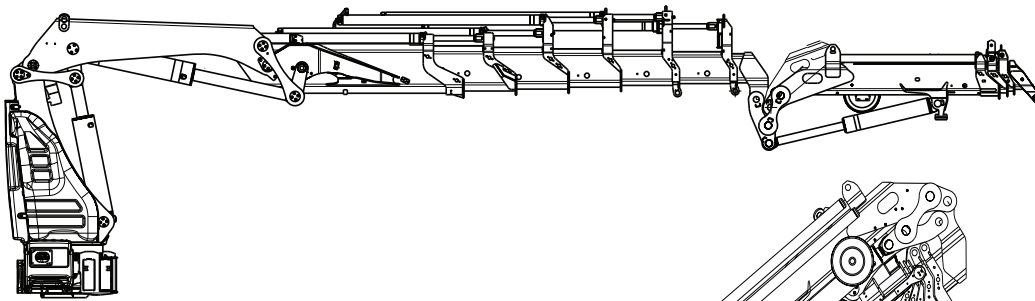


BUILT TO PERFORM

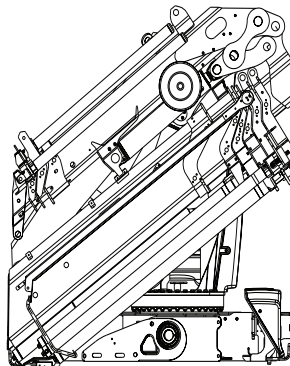


HIAB X-HIPRO 408 BASIC DATA

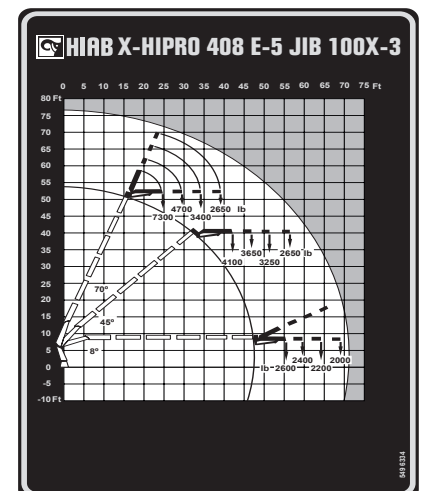
TECHNICAL DATA	X-HIPRO 408E-5 + JIB 100X-3	X-HIPRO 408E-8
Max. lifting capacity (ft-lbs)	264 820	253 750
Outreach, hydraulic extensions (ft)	-	68' 8"
Outreach, with jib (ft)	69' 5"	-
Outreach / lifting capacity (ft-lbs)	55' 5" - 2 650 59' 9" - 2 380 64' 4" - 2 180 69' 5" - 2 200 - - - - - -	10' 6" - 22 050 15' 5" - 16 310 20' 8" - 11 460 26' 7" - 8 270 32' 10" - 6 280 39' 4" - 4 940 46' 3" - 3 970 53' 6" - 3 310 61' 0" - 2 820 68' 7" - 2 510
Slewing angle (°)	Continuous	Continuous
Height in folded position (in)	107	97
Width in folded position (in)	98	100
Installation space needed (in)	58	55
Weight, "standard" crane without stabilizers (lbs)	10 930	9 910
Weight, stabilizer equipment (lbs)	1 010 - 1 210	1 010 - 1 210



X-HiPro 408-5 + Jib 100X-3
Side View



X-HiPro 408-5 + Jib 100X-3
Front View



Disclaimer. Hiab cranes have been built to meet the highest standards of safety and service life and have been thoroughly tested. Strength calculations for this model have been carried out in accordance with EN13001 in fatigue class S2. Cargotec's certified Quality Assurance System complies with ISO 9001. Some of the items in our literature may be extra equipment. Certain applications may require an official permit. We reserve the right to change technical specifications without prior notice.

Hiab is the world's leading provider of on-road load handling equipment. Our high performance product range includes loader cranes, forestry and recycling cranes, demountables, truck mounted forklifts and tail lifts. We aim to set the industry benchmark for customer satisfaction by providing products and services that meet customer needs globally.

www.hiab.us.com
Hiab is part of Cargotec.
www.cargotec.com

Hiab USA Inc
12233 Williams Road
Perrysburg, OH 43551 USA
tel. +419 482 6000
fax. +419 482 6001



V2018.04.13