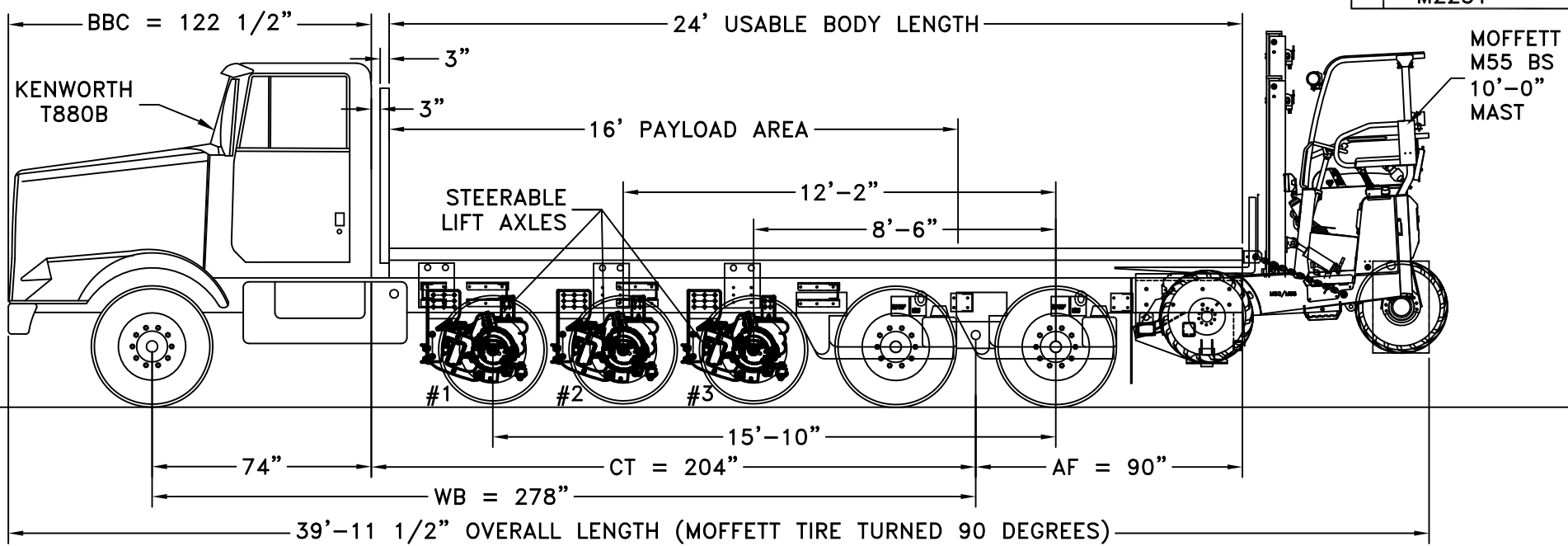


REV. PART NO. M2251



TRUCK, MOFFETT & ACCESORIES WEIGHT DISTRIBUTION, NO PAYLOAD, LIFT AXLES UP.	
TOTAL WEIGHT ON FRONT AXLE	= 12,020 LBS.
TOTAL WEIGHT ON TANDEM AXLE	= 24,420 LBS.
FRONT AXLE WT. PERCENTAGE	= 33 %
TANDEM AXLE WT. PERCENTAGE	= 67 %
GROSS VEHICLE WEIGHT	= 36,440 LBS.

TRUCK, MOFFETT & ACCESORIES WEIGHT DISTRIBUTION, WITH PAYLOAD, LIFT AXLES DOWN.	
TOTAL WEIGHT FRONT AXLE	= 15,840 LBS.
TOTAL WEIGHT ON LIFT AXLE #1	= 6,000 LBS.
TOTAL WEIGHT ON LIFT AXLE #2	= 6,000 LBS.
TOTAL WEIGHT ON LIFT AXLE #3	= 6,000 LBS.
TOTAL WEIGHT ON TANDEM AXLE	= 34,000 LBS.
FRONT AXLE WT. PERCENTAGE	= 23 %
LIFT AXLE #1 WT. PERCENTAGE	= 9 %
LIFT AXLE #2 WT. PERCENTAGE	= 9 %
LIFT AXLE #3 WT. PERCENTAGE	= 9 %
TANDEM AXLE WT. PERCENTAGE	= 50 %
GROSS VEHICLE WEIGHT	= 67,840 LBS.
PAYLOAD AS SHOWN-16' AREA	= 31,400 LBS.
*WATER LEVEL PAYLOAD	= 19,970 LBS.

TRUCK SPECIFICATIONS	
TRUCK MODEL	= KENWORTH T880
WHEELBASE	= 278"
CAB TO TANDEM	= 204"
AXLE TO FRAME	= 90"
FRONT AXLE CURB WEIGHT	= 11,000 LBS.
TANDEM AXLE CURB WEIGHT	= 9,200 LBS.
FRONT G.A.W.R.	= 20,000 LBS.
TANDEM G.A.W.R.	= 46,000 LBS.
YIELD STRENGTH OF EACH CHASSIS FRAME	MINIMUM SECTION MODULUS REQUIRED
120,000 PSI YIELD	= 13.51 in. ³
MINIMUM RBM/RAIL	= 1,621,370 IN-LBS.

NOTES:
 DOUBLE FRAME CHASSIS REQUIRED.
 FRAME RAIL WITH THE MIN. RBM REQUIRED.
 CURB WEIGHTS, LIFT AXLE WEIGHTS, AND BODY WEIGHT ARE ESTIMATED.

TRUCK RUNS IN US (RULES FOR MOST STATES).
 20,000 LBS. ALLOWED ON FRONT AXLE.
 34,000 LBS. ALLOWED ON TANDEM.
 42,000 LBS. ALLOWED ON TRIDEM. (8')
 50,000 LBS. ALLOWED ON 4 AXLE GROUP (12')
 58,000 LBS. ALLOWED ON 5 AXLE GROUP (16')
 69,000 LBS. ALLOWED FOR GROSS WEIGHT.
 ALLOWABLE LEGAL OVERALL LENGTH IS 40'.

NOTICE:
 THE DRAWING PURPOSE IS TO INTRODUCE A GENERAL CONCEPT OF A PROPOSED IDEA.

NOTICE:
 THIS WEIGHT DISTRIBUTION IS BASED ON ESTIMATED WEIGHTS AND IS ONLY AS ACCURATE AS THOSE ESTIMATES. ACTUAL WEIGHTS MAY CHANGE THE RESULTS OF THIS WEIGHT DISTRIBUTION.

Cargotec USA
 Cargotec USA
 12233 Williams Road
 Perrysburg, Ohio 43551
 Tel (419) 482-6000
 Fax (419) 482-6001

Tolerances - unless otherwise noted. Tolerances are in inches.
 2-PLACE ±.000..... .05
 3-PLACE ±.000..... .015
 ANGULAR ± 1/16"
 FRACTIONAL ± 1/16"
 Break all sharp corners unless otherwise specified.

THIS PROPERTY AND ALL INFORMATION THEREIN IS THE PROPERTY OF CARGOTEC USA, 12233 WILLIAMS RD, PERRYSBURG, OHIO 43551 AND IS CONFIDENTIAL. IT MUST NOT BE MADE PUBLIC OR COPIED. THIS DRAWING IS LOANED TO RETURN UPON DEMAND AND SHALL NOT BE USED DIRECTLY OR INDIRECTLY IN ANY WAY DETRIMENTAL TO OUR INTERESTS. OUR PRIOR SPECIFIC APPROVAL IS REQUIRED FOR EXPOSURE OF THIS DRAWING TO OTHERS FOR ANY PURPOSE.

Next Assy.
MOFFETT / SALES
 Dwg/Cad file no.

Drawing Title: MOFFETT M55, 10'-0" MAST			
Project Name: SALES LAYOUT			
Drawn by:	Date:	Size:	Part No.
EJM	11-18-15		
Approval:	Date Approved:	Scale:	unit wt.
			Eng. Job no.: