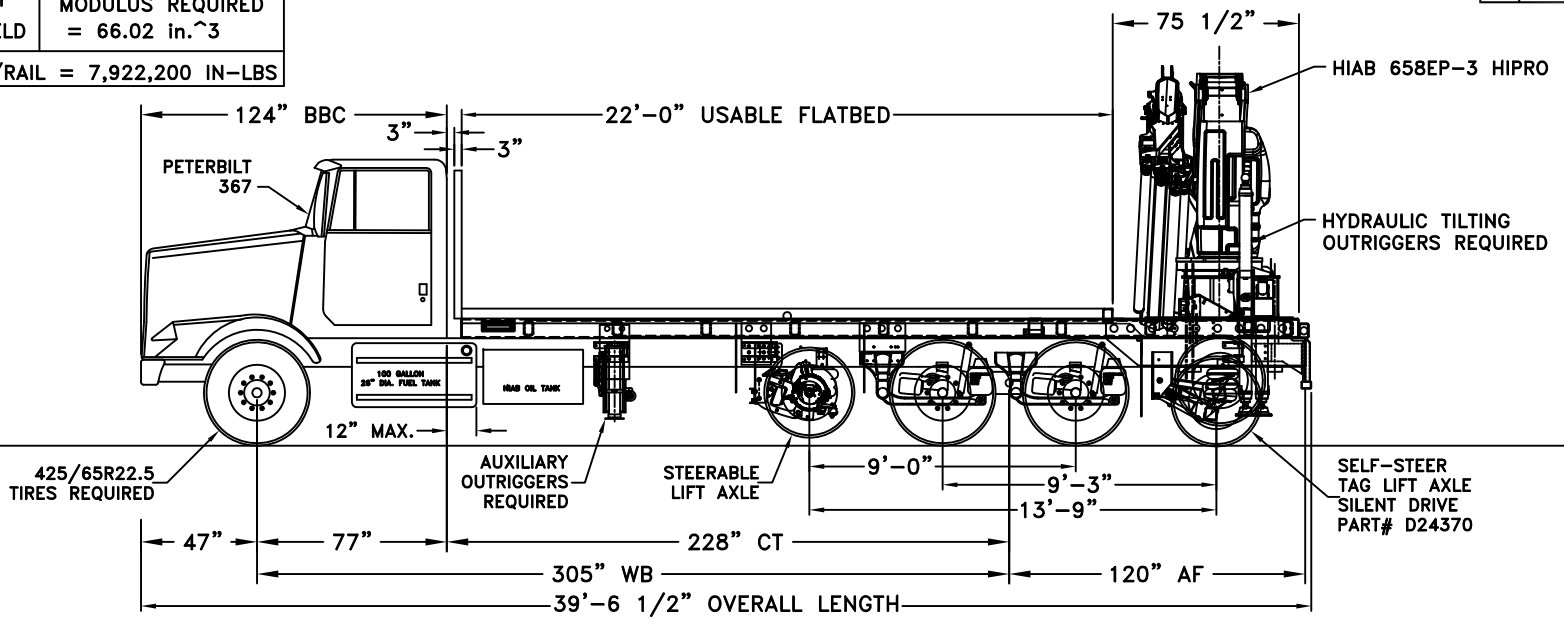


REV. PART NO. H3638

YIELD STRENGTH
120,000 P.S.I. YIELD

CRANE MIN. SECTION
MODULUS REQUIRED
= 66.02 in.³

CRANE MIN. RBM/RAIL = 7,922,200 IN-LBS



TRUCK, HIAB CRANE & ACCESSORIES WEIGHT DISTRIBUTION, NO PAYLOAD, TAG AXLE DOWN.

TOTAL WEIGHT ON FRONT AXLE	= 14,780 LBS.
TOTAL WEIGHT ON TANDEM AXLE	= 25,220 LBS.
TOTAL WEIGHT ON TAG AXLE	= 11,000 LBS.
FRONT AXLE WT. PERCENTAGE	= 29 %
TANDEM AXLE WT. PERCENTAGE	= 49 %
TAG AXLE WT. PERCENTAGE	= 22 %
GROSS VEHICLE WEIGHT	= 51,000 LBS.

TRUCK, HIAB CRANE & ACCESSORIES WEIGHT DIST., WITH PAYLOAD, PUSHER & TAG DOWN.

TOTAL WEIGHT ON FRONT AXLE	= 17,680 LBS.
TOTAL WEIGHT ON PUSHER AXLE	= 8,000 LBS.
TOTAL WEIGHT ON TANDEM AXLE	= 31,320 LBS.
TOTAL WEIGHT ON TAG AXLE	= 11,000 LBS.
FRONT AXLE WT. PERCENTAGE	= 26 %
PUSHER AXLE WT. PERCENTAGE	= 12 %
TANDEM AXLE WT. PERCENTAGE	= 46 %
TAG AXLE WT. PERCENTAGE	= 16 %
TRUCK GROSS VEHICLE WEIGHT	= 68,000 LBS.
WATER LEVEL PAYLOAD	= 17,000 LBS.

TRUCK SPECIFICATIONS

TRUCK MODEL	= PETERBILT 367
WHEELBASE	= 305"
CAB TO TANDEM AXLE-TO-FRAME	= 228"
FRONT CURB WEIGHT	= 11,900 LBS.
TANDEM CURB WEIGHT	= 9,900 LBS.
FRONT G.A.W.R.	= 20,000 LBS.
TANDEM G.A.W.R.	= 46,000 LBS.
YIELD STRENGTH OF EACH FRAME RAIL	MINIMUM SECTION MODULUS REQUIRED
120,000 P.S.I. YIELD	= 37.70 in. ³
MINIMUM RBM/RAIL = 4,524,000 IN-LBS	

NOTES:
 DOUBLE FRAME CHASSIS REQUIRED.
 FRAME RAIL MIN. OF 37.7 SECTION MODULUS REQ'D.
 FULL LENGTH SUB-FRAME REQUIRED:
 8"x4"x1/2" RECT. TUBING (ON TOP OF CHASSIS FRAME)
 6"x4"x1/2" RECT. TUBING (CROSSMEMBERS EVERY 3 FT.)
 1/2" TOP & 3/8" BOTTOM PLATE REQUIRED.
 FLATBED BODY WEIGHT WAS ESTIMATED.
 CURB WEIGHTS WERE ESTIMATED.
TAG AXLE MUST BE DOWN IN ALL FORWARD GEARS.

TRUCK RUNS IN US (RULES FOR MOST STATES).
 20,000 LBS. ALLOWED ON FRONT AXLE GAWR.
 34,000 LBS. ALLOWED ON TANDEM AXLE.
 42,500 LBS. ALLOWED ON 3 AXLE GROUP. (9')
 51,500 LBS. ALLOWED ON 4 AXLE GROUP. (14')
 68,000 LBS. ALLOWED FOR TRUCK GROSS WEIGHT (32').
 OVERALL LENGTH MUST NOT EXCEED 40'.

NOTICE:
 THE DRAWING PURPOSE IS TO INTRODUCE A GENERAL CONCEPT OF A PROPOSED IDEA.

NOTICE:
 THIS WEIGHT DISTRIBUTION IS BASED ON ESTIMATED WEIGHTS AND IS ONLY AS ACCURATE AS THOSE ESTIMATES. ACTUAL WEIGHTS MAY CHANGE THE RESULTS OF THIS WEIGHT DISTRIBUTION.

Hiab, Inc.
 Hiab, Inc.
 12233 Williams Road
 Perrysburg, Ohio 43551
 Tel (419) 482-6000
 Fax (419) 482-6001

Tolerances - unless otherwise noted.
 Tolerances are in inches
 2-PLACE ±.000... .03
 3-PLACE ±.000... .015
 ANGULAR ±/16"
 FRACTIONAL ±/16"
 Break all sharp corners unless otherwise specified.

THIS PROPERTY AND ALL INFORMATION THEREIN IS THE PROPERTY OF HIAB, INC., 12233 WILLIAMS RD, PERRYSBURG, OHIO 43551 AND IS CONFIDENTIAL. IT MUST NOT BE MADE PUBLIC OR COPIED, THIS DRAWING IS LOANED TO RETURN UPON DEMAND AND SHALL NOT BE USED DIRECTLY OR INDIRECTLY IN ANY WAY DETRIMENTAL TO OUR INTERESTS. OUR PRIOR SPECIFIC APPROVAL IS REQUIRED FOR EXPOSURE OF THIS DRAWING TO OTHERS FOR ANY PURPOSE.

Next Assy.
 Dwg/Cad file no. 658 / SALES

Drawing Title: **HIAB 658EP-3 HIPRO CRANE**

Project Name: **SALES LAYOUT**

Drawn by: **CSV** Date: **12-5-17** Size: **11x17** Part No.
 Approval: **DATE APPROVED:** Scale: **1:1** unit wt. Eng. Job no.: