

TECHNICAL SPECIFICATIONS
HIAB X-HIPRO 262

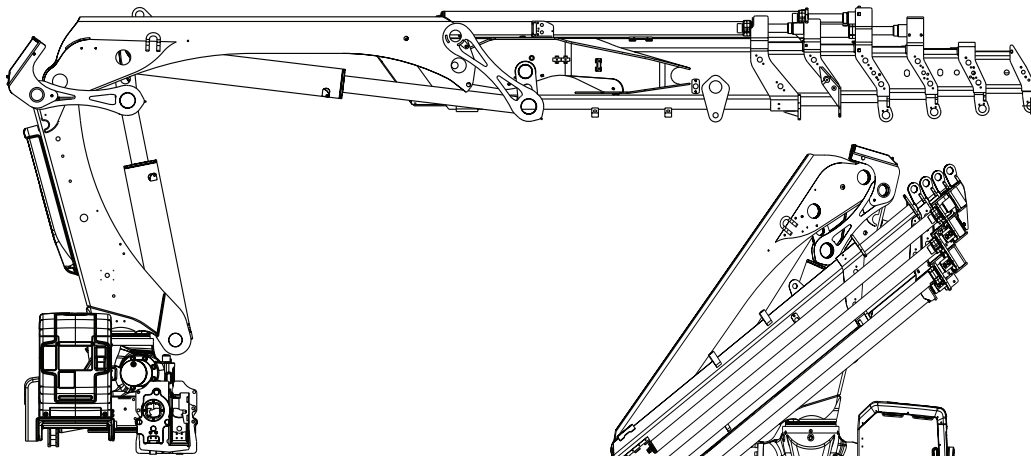


BUILT TO PERFORM

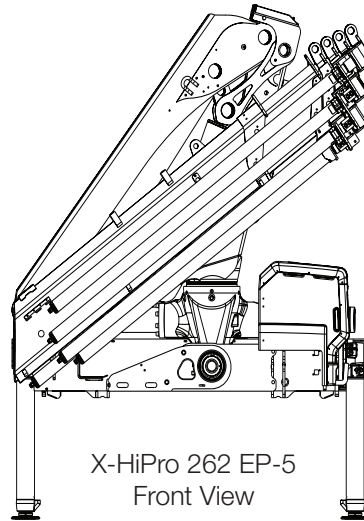


HIAB X-HIPRO 262 BASIC DATA

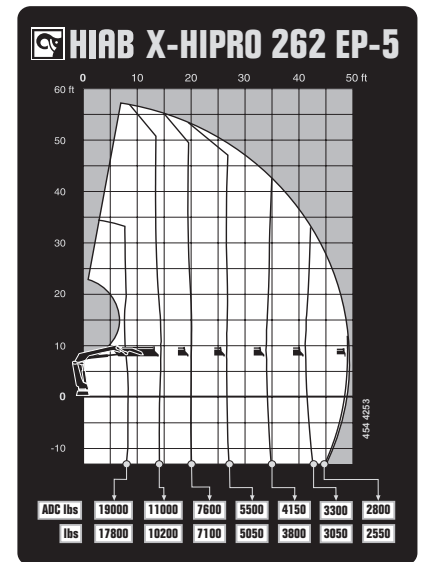
TECHNICAL DATA	EP-5	E-6	E-6 / JIB 45X-3	E-8
Max. lifting capacity (ft-lbs)	160 990	154 620	154 620	147 680
Outreach, hydraulic extensions (ft)	49' 6"	53' 2"	81' 0"	68' 11"
Outreach / lifting capacity (ft-lbs)	8' 2" - 18 960 14' 9" - 10 910 20' 4" - 7 610 26' 11" - 5 470 34' 1" - 4 140 41' 8" - 3 310 49' 3" - 2 780 - - -	8' 2" - 18 520 14' 9" - 10 910 20' 0" - 7 280 25' 11" - 5 200 32' 2" - 3 970 38' 9" - 3 090 45' 7" - 2 560 52' 10" - 2 160 - -	63' 0" - 730 68' 3" - 640 74' 6" - 550 80' 9" - 510 - - - - -	7' 10" - 18 520 15' 5" - 9 590 20' 8" - 6 530 26' 7" - 4 540 32' 10" - 3 310 39' 4" - 2 470 46' 3" - 1 940 53' 6" - 1 540 61' 0" - 1 280 68' 7" - 1 060
Slewing angle (°)	410	410	410	410
Height in folded position (in)	104	104	104	95
Width in folded position (in)	99	99	99	99
Installation space needed (in)	50	48	48	48
Weight, "standard" crane without stabilizers (lbs)	6 610	7 080	8 160	7 800
Weight, stabilizer equipment (lbs)	840 - 1 030	840 - 1 030	840 - 1 030	840 - 1 030



X-HiPro 262 EP-5
Side View



X-HiPro 262 EP-5
Front View



Disclaimer. Hiab cranes have been built to meet the highest standards of safety and service life and have been thoroughly tested. Strength calculations for this model have been carried out in accordance with EN13001 in fatigue class S2. Cargotec's certified Quality Assurance System complies with ISO 9001. Some of the items in our literature may be extra equipment. Certain applications may require an official permit. We reserve the right to change technical specifications without prior notice. Hiab cranes produced for EU-countries are CE marked and comply with the European Standard EN12999.

Hiab is the world's leading provider of on-road load handling equipment. Customer satisfaction is the first priority for us. Hiab's product range includes HIAB loader cranes, JONSERED recycling and forestry cranes, LOGLIFT forestry cranes, MOFFETT truck mounted forklifts, and MULTILIFT demountables, as well as DEL, WALTCO, and ZEPRO tail lifts.

www.hiab.us.com
Hiab is part of Cargotec.
www.cargotec.com

Hiab USA Inc
12233 Williams Road
Perrysburg, OH 43551 USA
tel. 419 482 6000
fax. 419 482 6001

