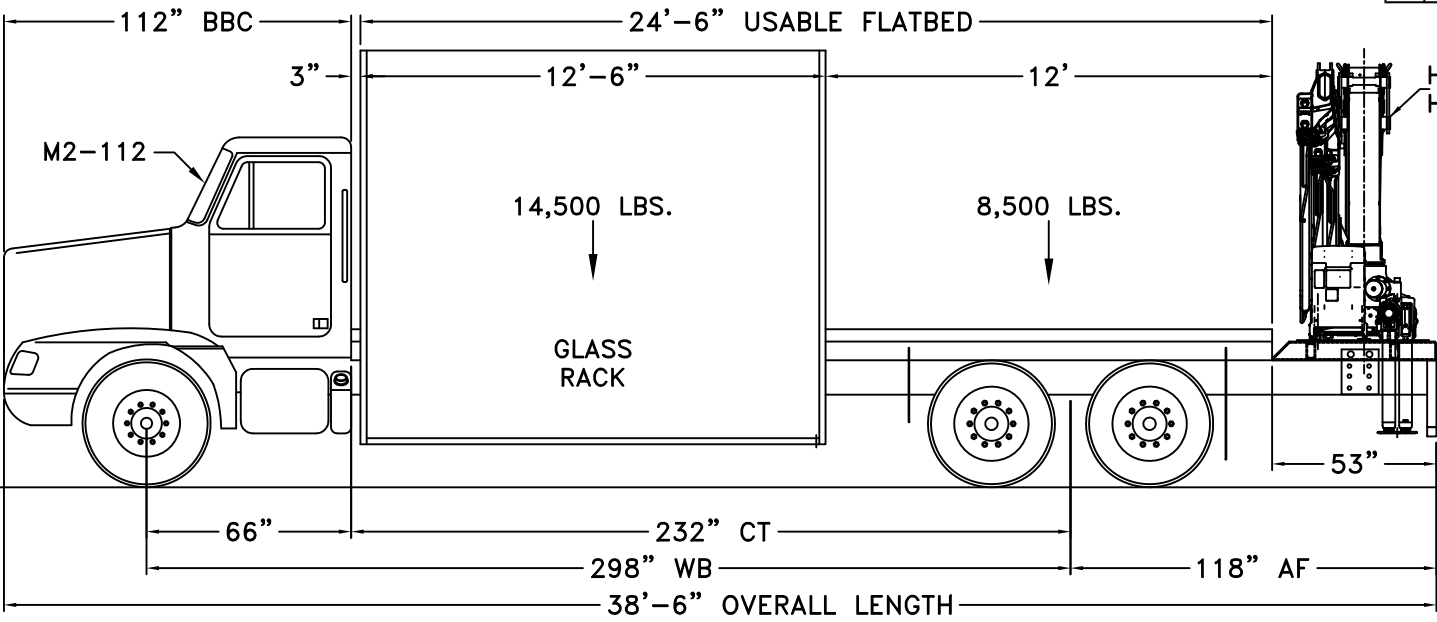


CRANE MAY BE DERATED IN FRONT QUADRANTS AS MUCH AS 15%. ACTUAL DERATING SHALL BE BASED ON PHYSICAL TESTING.



TRUCK, HIAB CRANE & ACCESSORIES WEIGHT DISTRIBUTION, <u>NO PAYLOAD.</u>	
TOTAL WEIGHT ON FRONT AXLE	= 10,130 LBS.
TOTAL WEIGHT ON TANDEM AXLE	= 18,690 LBS.
FRONT AXLE WT. PERCENTAGE	= 35 %
TANDEM AXLE WT. PERCENTAGE	= 65 %
GROSS VEHICLE WEIGHT	= 28,820 LBS.

TRUCK, HIAB CRANE & ACCESSORIES WEIGHT DISTRIBUTION, <u>WITH PAYLOAD AS SHOWN.</u>	
TOTAL WEIGHT ON FRONT AXLE	= 17,820 LBS.
TOTAL WEIGHT ON TANDEM AXLE	= 34,000 LBS.
FRONT AXLE WT. PERCENTAGE	= 34 %
TANDEM AXLE WT. PERCENTAGE	= 66 %
GROSS VEHICLE WEIGHT	= 51,820 LBS.
PAYLOAD AS SHOWN	= 23,000 LBS.
*WATER LEVEL PAYLOAD	= 21,120 LBS.

TRUCK SPECIFICATIONS	
TRUCK MODEL	= FREIGHTLINER M2-112
WHEELBASE	= 298"
CAB TO TANDEM	= 232"
AXLE-TO-FRAME	= 118"
FRONT TARE WEIGHT	= 9,200 LBS.
TANDEM TARE WEIGHT	= 8,100 LBS.
FRONT G.A.W.R.	= 18,000 LBS.
TANDEM G.A.W.R.	= 40,000 LBS.
YIELD STRENGTH OF EACH FRAME RAIL	MINIMUM SECTION MODULUS REQUIRED
120,000 P.S.I. YIELD	= 19.68 in. ³
MINIMUM RBM/RAIL OF 2,361,648 IN-LBS	

NOTES:
 FRAME RAIL MUST MEET MINIMUM RBM REQUIRED.
 RISER REQUIRED FOR OUTRIGGER CLEARANCE:
 6"x4"x3/8" RECT. TUBING (ON TOP OF FRAME RAIL)
 5"x3"x3/8" RECT. TUBING (CROSSMEMBERS EVERY 3 FT.)
 CURB WEIGHTS WERE ESTIMATED.
 BODY WEIGHT IS ESTIMATED.

TRUCK RUNS IN US (RULES FOR MOST STATES).
 18,000 LBS. ALLOWED ON FRONT AXLE GAWR.
 34,000 LBS. ALLOWED ON TANDEM AXLE.
 52,000 LBS. ALLOWED FOR GROSS WEIGHT.
 ALLOWABLE LEGAL OVERALL LENGTH IS 40'.

NOTICE:
 THE DRAWING PURPOSE IS TO INTRODUCE A GENERAL CONCEPT OF A PROPOSED IDEA.

NOTICE:
 THIS WEIGHT DISTRIBUTION IS BASED ON ESTIMATED WEIGHTS AND IS ONLY AS ACCURATE AS THOSE ESTIMATES. ACTUAL WEIGHTS MAY CHANGE THE RESULTS OF THIS WEIGHT DISTRIBUTION.

Hiab, Inc.
 Hiab, Inc.
 12233 Williams Road
 Perrysburg, Ohio 43551
 Tel (419) 482-6000
 Fax (419) 482-6001

Tolerances - unless otherwise noted.
 Tolerances are in inches
 2-PLACE ±.000..... .05
 3-PLACE ±.000..... .015
 ANGULAR ± 1/16"
 FRACTIONAL ± 1/16"
 Break all sharp corners unless otherwise specified.

THIS PROPERTY AND ALL INFORMATION THEREIN IS THE PROPERTY OF HIAB, INC., 12233 WILLIAMS RD., PERRYSBURG, OHIO 43551 AND IS CONFIDENTIAL. IT MUST NOT BE MADE PUBLIC OR COPIED. THIS DRAWING IS LOANED TO RETURN UPON DEMAND AND SHALL NOT BE USED DIRECTLY OR INDIRECTLY IN ANY WAY DETRIMENTAL TO OUR INTERESTS. OUR PRIOR SPECIFIC APPROVAL IS REQUIRED FOR EXPOSURE OF THIS DRAWING TO OTHERS FOR ANY PURPOSE.

Next Assy.
 Dwg/Cad file no. **188 / SALES**

Drawing Title: **HIAB 188B-2 HIDUO CRANE**

Project Name: **SALES LAYOUT**

Drawn by: **CSV** Date: **7-25-17** Size: **unit wt.** Part No. **Eng. Job no.:**

Approval: **Date Approved:** **Scale:**