

TECHNICAL SPECIFICATIONS  
**HIAB X-HIPRO 302**

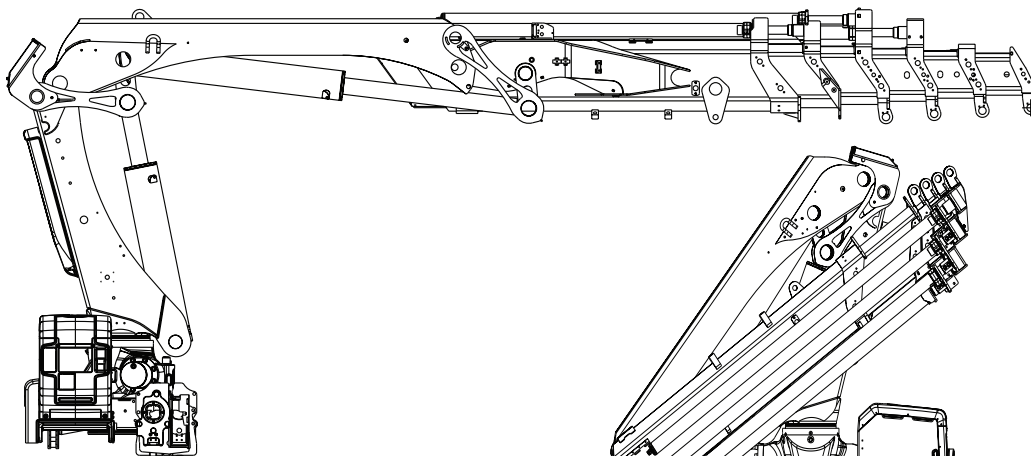


**BUILT TO PERFORM**



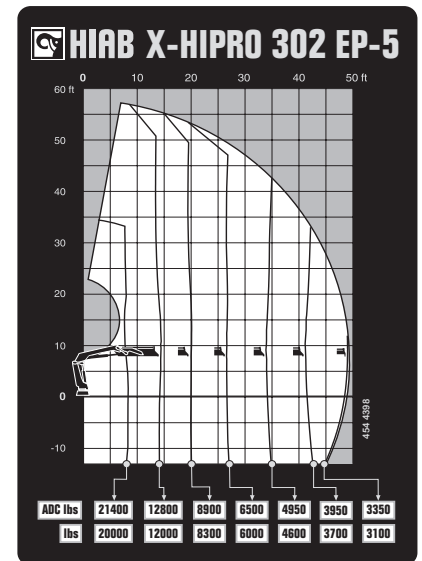
# HIAB X-HIPRO 302 BASIC DATA

TECHNICAL DATA	EP-5	E-6	E-6 / JIB 45X-3	E-8
Max. lifting capacity (ft-lbs)	188 050	180 670	180 670	174 090
Outreach, hydraulic extensions (ft)	49' 6"	53' 2"	81' 0"	68' 11"
Outreach / lifting capacity (ft-lbs)	8' 6" - 21 380 14' 9" - 12 790 20' 4" - 8 930 26' 11" - 6 480 34' 1" - 4 940 41' 8" - 3 970 49' 3" - 3 350 - - -	8' 6" - 20 720 14' 9" - 12 130 20' 0" - 8 600 25' 11" - 6 260 32' 2" - 4 810 38' 9" - 3 840 45' 7" - 3 130 52' 10" - 2 690 - -	63' 0" - 1 190 68' 3" - 1 060 74' 6" - 950 80' 9" - 860 - - - - -	8' 2" - 20 280 15' 5" - 11 240 20' 8" - 7 830 26' 7" - 5 600 32' 10" - 4 140 39' 4" - 3 220 46' 3" - 2 560 53' 6" - 2 070 61' 0" - 1 760 68' 7" - 1 540
Slewing angle (°)	420	420	420	420
Height in folded position (in)	104	104	104	95
Width in folded position (in)	99	99	99	99
Installation space needed (in)	50	49	48	48
Weight, "standard" crane without stabilizers (lbs)	7 080	7 670	8 860	8 270
Weight, stabilizer equipment (lbs)	840 - 1 030	840 - 1 030	840 - 1 030	840 - 1 030



X-HiPro 302 EP-5  
Side View

X-HiPro 302 EP-5  
Front View



**Disclaimer.** Hiab cranes have been built to meet the highest standards of safety and service life and have been thoroughly tested. Strength calculations for this model have been carried out in accordance with EN13001 in fatigue class S2. Cargotec's certified Quality Assurance System complies with ISO 9001. Some of the items in our literature may be extra equipment. Certain applications may require an official permit. We reserve the right to change technical specifications without prior notice. Hiab cranes produced for EU-countries are CE marked and comply with the European Standard EN12999.

Hiab is the world's leading provider of on-road load handling equipment. Customer satisfaction is the first priority for us. Hiab's product range includes HIAB loader cranes, JONSERED recycling and forestry cranes, LOGLIFT forestry cranes, MOFFETT truck mounted forklifts, and MULTILIFT demountables, as well as DEL, WALTCO, and ZEPRO tail lifts.

www.hiab.us.com  
Hiab is part of Cargotec.  
www.cargotec.com

Hiab USA Inc  
12233 Williams Road  
Perrysburg, OH 43551 USA  
tel. 419 482 6000  
fax. 419 482 6001

