

TECHNICAL SPECIFICATIONS
HIAB T-023

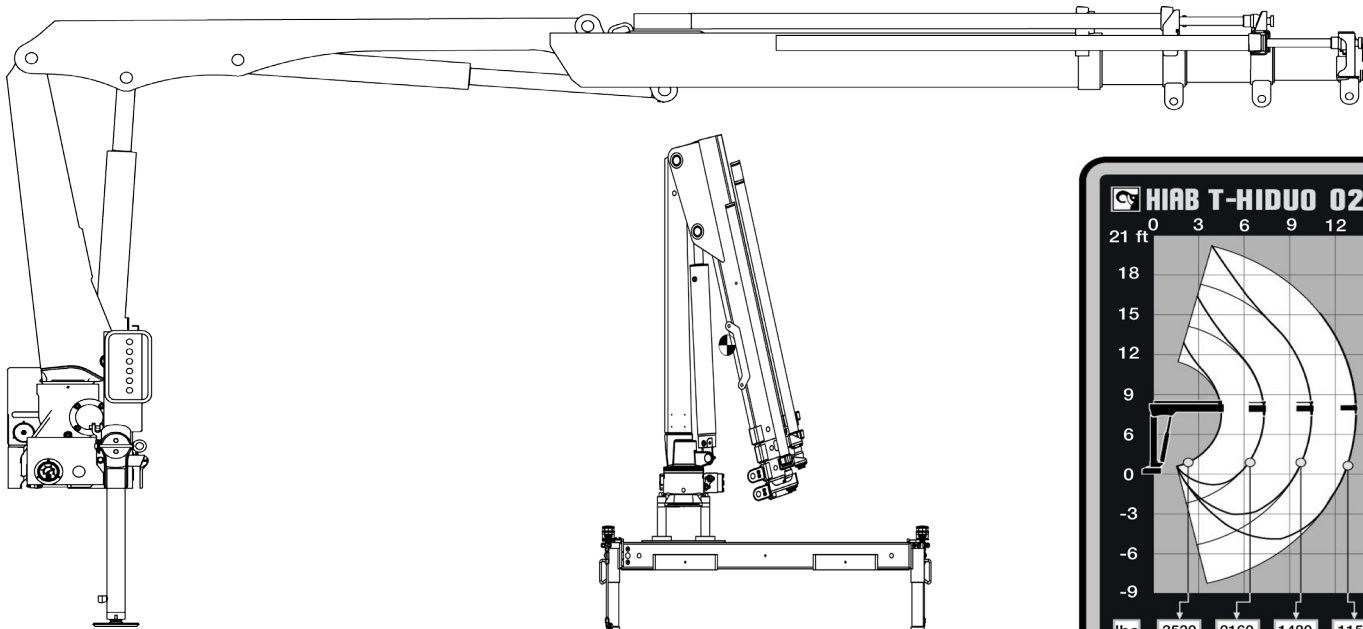


BUILT TO PERFORM



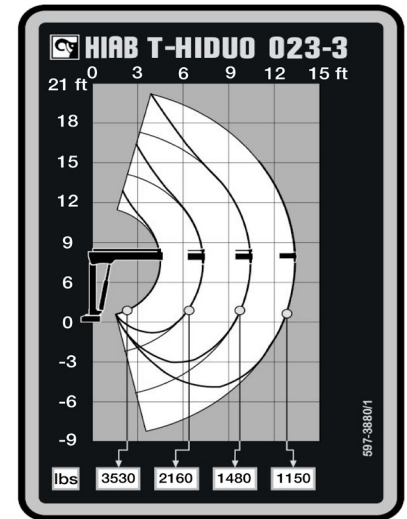
HIAB T-023 BASIC DATA

TECHNICAL DATA	T-DUO 023-3	T-HIDUO 023-3
Max. lifting capacity (ft-lbs)	17 730	17 730
Hydraulic outreach, standard	14' 9"	14' 9"
Hydraulic boom extension	9' 10"	9' 10"
Lifting height above installation level	19' 0"	19' 0"
Outreach / lifting capacity (ft-lbs)	4' 11" - 3 530 7' 10" - 2 160 11' 2" - 1 480 14' 5" - 1 150	4' 11" - 3 530 7' 10" - 2 160 11' 2" - 1 480 14' 5" - 1 150
Rec. oil flow (gal/min)	1 - 3	1 - 3
Working pressure (psi)	2 680	2 680
Slewing angle (°)	330	330
Height in folded position (in)	62	62
Width in folded position (in)	25	25
Installation space needed (in)	13	13
Weight, "standard" crane without stabilizers (lbs)	600	600
Weight, stabilizer equipment (lbs)	60 - 240	60 - 240



T-HiDuo 023-3
Side View

T-HiDuo 023-3
Front View



Disclaimer. Hiab cranes have been built to meet the highest standards of safety and service life and have been thoroughly tested. Strength calculations for this model have been carried out in accordance with EN13001 in fatigue class S2. Cargotec's certified Quality Assurance System complies with ISO 9001. Some of the items in our literature may be extra equipment. Certain applications may require an official permit. We reserve the right to change technical specifications without prior notice. Hiab cranes produced for EU-countries are CE marked and comply with the European Standard EN12999.

Hiab is the world's leading provider of on-road load handling equipment. Our high performance product range includes loader cranes, forestry and recycling cranes, demountables, truck mounted forklifts and tail lifts. We aim to set the industry benchmark for customer satisfaction by providing products and services that meet customer needs globally.

www.hiab.us.com
Hiab is part of Cargotec.
www.cargotec.com

Hiab USA Inc
12233 Williams Road
Perrysburg, OH 43551 USA
tel. +419 482 6000
fax. +419 482 6001

