

TECHNICAL SPECIFICATIONS
HIAB X-HIDUO 138

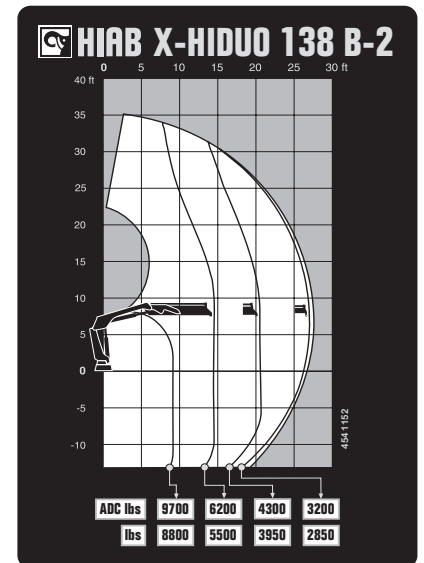
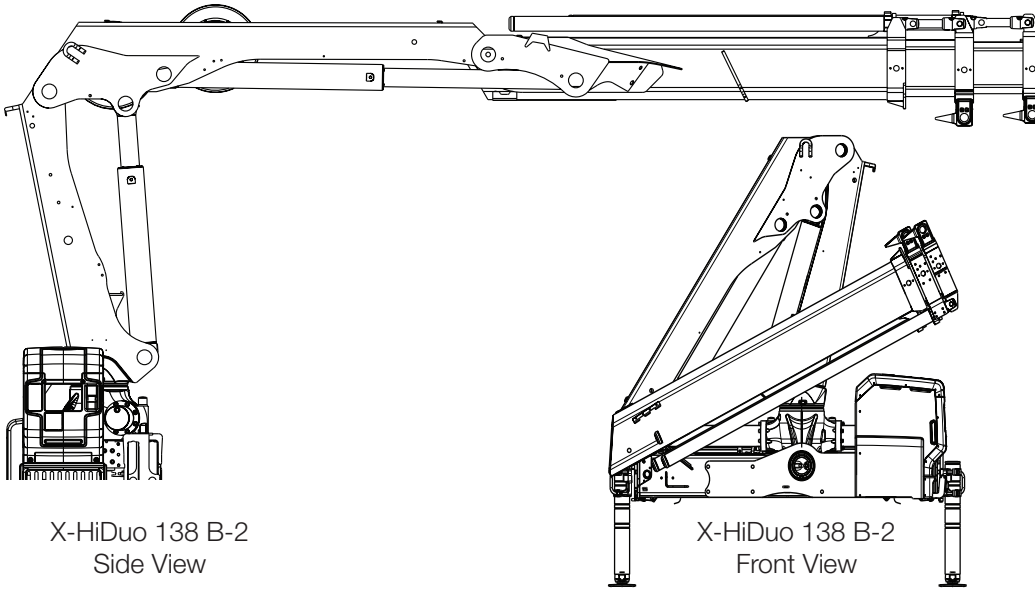


BUILT TO PERFORM



HIAB X-HIDUO 138 BASIC DATA

TECHNICAL DATA	B-2	B-3	E-3	E-5
Max. lifting capacity (ft-lbs)	89 210	86 320	86 320	79 660
Outreach, hydraulic extensions (ft)	27' 7"	34' 9"	34' 5"	49' 6"
Outreach / lifting capacity (ft-lbs)	9' 2" - 9 700 14' 5" - 6 170 20' 4" - 4 300 26' 11" - 3 200 - - -	9' 10" - 8 710 14' 9" - 5 840 20' 8" - 4 080 27' 3" - 2 980 33' 10" - 2 310 - -	8' 2" - 10 360 15' 1" - 5 730 21' 0" - 3 970 27' 3" - 2 950 34' 1" - 2 340 - -	8' 6" - 9 260 15' 9" - 5 070 21' 8" - 3 480 27' 11" - 2 510 34' 9" - 1 900 42' 0" - 1 500 49' 3" - 1 230
Slewing angle (°)	415	415	415	415
Height in folded position (in)	88	88	89	89
Width in folded position (in)	96	98	96	99
Installation space needed (in)	40	40	40	40
Weight, "standard" crane without stabilizers (lbs)	3 170	3 440	3 900	4 320
Weight, stabilizer equipment (lbs)	540 - 850	540 - 850	540 - 850	540 - 850



Disclaimer. Hiab cranes have been built to meet the highest standards of safety and service life and have been thoroughly tested. Strength calculations for this model have been carried out in accordance with EN13001 in fatigue class S2. Cargotec's certified Quality Assurance System complies with ISO 9001. Some of the items in our literature may be extra equipment. Certain applications may require an official permit. We reserve the right to change technical specifications without prior notice. Hiab cranes produced for EU-countries are CE marked and comply with the European Standard EN12999.

Hiab is the world's leading provider of on-road load handling equipment. Customer satisfaction is the first priority for us. Hiab's product range includes HIAB loader cranes, JONSERED recycling and forestry cranes, LOGLIFT forestry cranes, MOFFETT truck mounted forklifts, and MULTILIFT demountables, as well as DEL, WALTCO, and ZEPRO tail lifts.

www.hiab.us.com
Hiab is part of Cargotec.
www.cargotec.com

Hiab USA Inc
12233 Williams Road
Perrysburg, OH 43551 USA
tel. 419 482 6000
fax. 419 482 6001



V2016.11.02