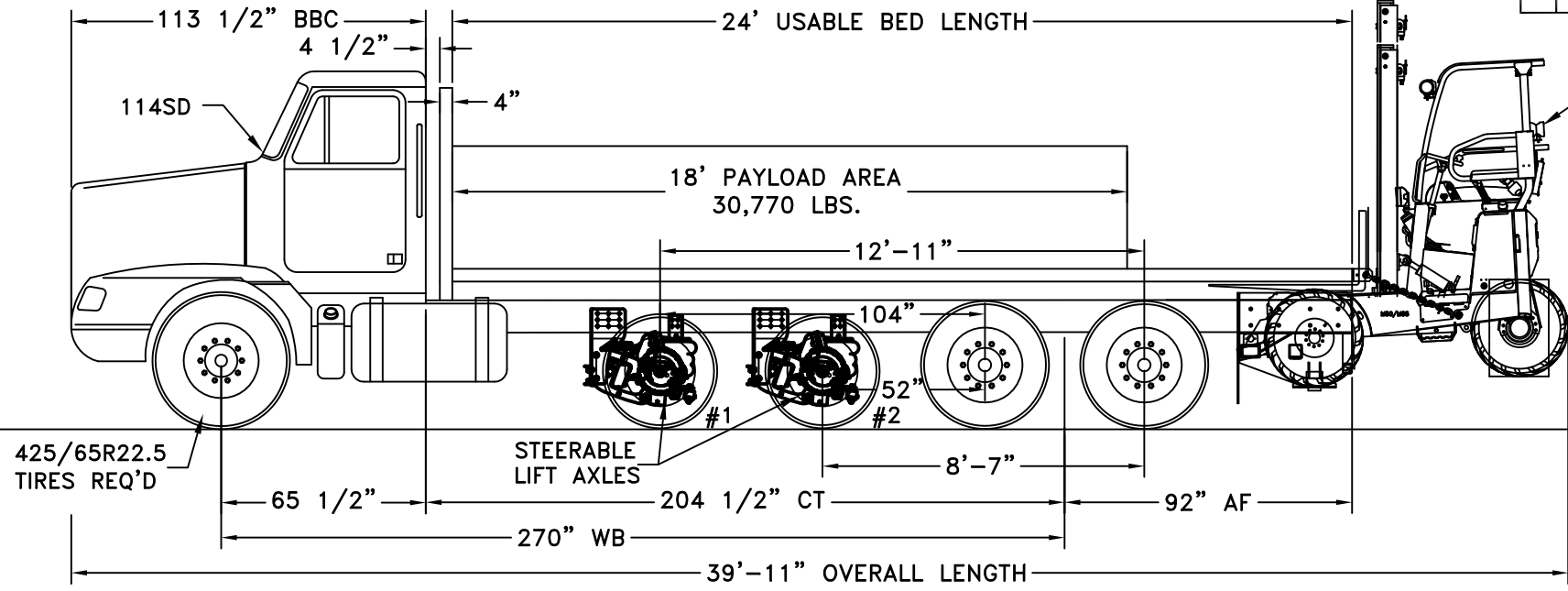


REV. PART NO. M2606



MOFFETT
FORK-LIFT
M55
10' MAST

TRUCK, MOFFETT & ACCESORIES WEIGHT DISTRIBUTION, NO PAYLOAD, LIFT AXLES UP.	
TOTAL WEIGHT ON FRONT AXLE	= 10,030 LBS.
TOTAL WEIGHT ON TANDEM AXLE	= 22,700 LBS.
FRONT AXLE WT. PERCENTAGE	= 31 %
TANDEM AXLE WT. PERCENTAGE	= 69 %
GROSS VEHICLE WEIGHT	= 32,730 LBS.

TRUCK, MOFFETT & ACCESSORIES WEIGHT DISTRIBUTION, WITH PAYLOAD, LIFT AXLES DOWN.	
TOTAL WEIGHT ON FRONT AXLE	= 13,960 LBS.
TOTAL WEIGHT ON LIFT AXLE #1	= 8,000 LBS.
TOTAL WEIGHT ON LIFT AXLE #2	= 8,000 LBS.
TOTAL WEIGHT ON TANDEM AXLE	= 33,540 LBS.
FRONT AXLE WT. PERCENTAGE	= 22 %
LIFT AXLE #1 WT. PERCENTAGE	= 13 %
LIFT AXLE #2 WT. PERCENTAGE	= 13 %
TANDEM AXLE WT. PERCENTAGE	= 52 %
GROSS VEHICLE WEIGHT	= 63,500 LBS.
PAYLOAD AS SHOWN-18' AREA	= 30,770 LBS.

TRUCK SPECIFICATIONS	
TRUCK MODEL	= FREIGHTLINER 114SD
WHEELBASE	= 270"
CAB TO TANDEM	= 204 1/2"
AXLE TO FRAME	= 92"
FRONT AXLE TARE WEIGHT	= 11,179 LBS.
TANDEM AXLE TARE WEIGHT	= 9,833 LBS.
FRONT G.A.W.R.	= 20,000 LBS.
TANDEM G.A.W.R.	= 46,000 LBS.
YIELD STRENGTH OF EACH FRAME RAIL	MINIMUM SECTION MODULUS REQUIRED
120,000 PSI YIELD	= 17.2 in. ³
MINIMUM RBM/RAIL	= 2,059,540 IN-LBS.

TRUCK RUNS IN US (RULES FOR MOST STATES).
 16,000 LBS. ALLOWED ON FRONT AXLE GAWR.
 34,000 LBS. ALLOWED ON TANDEM AXLE.
 42,500 LBS. ALLOWED ON 9' TRIDEM.
 50,500 LBS. ALLOWED ON 13' FOUR AXLE GROUP.
 63,500 LBS. ALLOWED FOR GROSS WEIGHT.
 MAXIMUM LEGAL OVERALL LENGTH IS 40'.

*WATER LEVEL PAYLOAD = 21,080 LBS.

NOTES:
 DOUBLE FRAME CHASSIS REQUIRED.
 FRAME RAIL WITH THE MINIMUM RBM REQUIRED.
 FLATBED WEIGHT IS ESTIMATED.
 CURB WEIGHTS PROVIDED WITH LIFT AXLES INSTALLED.

NOTICE:
 THE DRAWING PURPOSE IS TO INTRODUCE A GENERAL CONCEPT OF A PROPOSED IDEA.

NOTICE:
 THIS WEIGHT DISTRIBUTION IS BASED ON ESTIMATED WEIGHTS AND IS ONLY AS ACCURATE AS THOSE ESTIMATES. ACTUAL WEIGHTS MAY CHANGE THE RESULTS OF THIS WEIGHT DISTRIBUTION.

Hiab, Inc.
 Hiab, Inc.
 12233 Williams Road
 Perrysburg, Ohio 43551
 Tel (419) 482-6000
 Fax (419) 482-6001

Tolerances - unless otherwise noted.
 Tolerances are in inches
 2-PLACE .000... .05
 3-PLACE .000... .015
 ANGULAR .21°
 FRACTIONAL .21/16"
 Break all sharp corners unless otherwise specified.

THIS PROPERTY AND ALL INFORMATION THEREIN IS THE PROPERTY OF Hiab, Inc., 12233 WILLIAMS RD, PERRYSBURG, OHIO 43551 AND IS CONFIDENTIAL. IT MUST NOT BE MADE PUBLIC OR COPIED. THIS DRAWING IS LOANED TO RETURN UPON DEMAND AND SHALL NOT BE USED DIRECTLY OR INDIRECTLY IN ANY WAY DETRIMENTAL TO OUR INTERESTS. OUR PRIOR SPECIFIC APPROVAL IS REQUIRED FOR EXPOSURE OF THIS DRAWING TO OTHERS FOR ANY PURPOSE.

Next Assy.
 Dwg/Cad file no.
MOFFETT / SALES

Drawing Title: MOFFETT FORK-LIFT			
Project Name: M55 10'-0" MAST			
Drawn by:	Date:	Size:	Part No.
J W	07-30-18		
Approval:	Date Approved:	Scale:	unit wt.
			Eng. job no.:

5 4 3 2 1

5 4 3 2 1