

MULTILIFT



MULTILIFT AT WORK
CITIES & MUNICIPALITIES

MULTILIFT HOOKLIFTS QUICK CHANGE ARTIST



MULTILIFT hooklifts provide the ultimate versatility, efficiency, speed, and safety to cities and municipalities. The hooklift is a superior product that delivers excellent value by expanding capabilities without increasing fleet size. A fleet armed with MULTILIFT trucks is unstoppable, each truck equally capable of filling in on a moment's notice. Eliminate seasonal use trucks, not the tasks required to get the job done. MULTILIFT, maximizing productivity and reliability year round.

MULTILIFT ADDRESSES YOUR INDUSTRY PAIN POINTS

Diversify the scope of your business and get more out of your operations for an improved bottom line. MULTILIFT hooklifts and ISO container carriers tackle all your on- and off-loading needs or double as a true dump truck. Covering Class 5 through Class 8 chassis, capacities of 12,000 lb. to 72,000 lb. and body/container lengths of 10' to 24', MULTILIFT has you covered.

SAFETY - MULTILIFT are the safest hooklifts in the industry. Your safety and wellbeing is the primary driver for every feature. MULTILIFT's industry-leading design ensures the lowest possible mounting height on every model reducing the risk of overturn.

EFFICIENCY - The right equipment can change the course of your business. With a MULTILIFT on the back, you can increase daily productivity. Incorporating the best safety features, smooth and fast operation built on a solid core, a MULTILIFT will help you start and finish each job efficiently and on time. On and off-loading capabilities are maximized for a truck's available payload as well as the working environment.

DOWNTIME - MULTILIFT's renowned reliability combined with industry leading safety features and control systems is proven to reduce downtime, while our nationwide service network ensures that equipment is maintained with minimal oversight.

TRAINING - Training and educating operators takes time, but the MULTILIFT's leading-edge technology allows customers to manage their resources in the best way, whether the operator is highly experienced or a new employee without losing too much time.

RELIABILITY - MULTILIFT are the industry leaders in the area of reliability. Our premium engineering and cutting edge operation management features ensure optimum longevity and service life of your equipment.

REVENUE - Designed using a high-strength light-weight steel (up to 40% lighter), MULTILIFT maximizes your payload and profits with every trip, and with operating speeds up to 60% faster than competitive brands, MULTILIFT gets you in and out of job sites in record time. More trips per day equal more coin in your pocket.



Hiab HiConnect™ is a web-based dashboard that displays insights on equipment usage, location, time in operation, idle time, and productivity level. By enabling new insights, it helps you to further increase efficiency, productivity, and safety. HiConnect is the latest technology in terms of connectivity capabilities. Being able to remotely access data is

key to maximizing your business with facts instead of assumptions. HiConnect maintains constant contact with all units, giving fleet managers the ability to stop unsafe behavior and usage before an incident happens. With the ability to view service history and plan upcoming services, your fleet has minimum downtime and increases daily efficiencies.



FEATURES THAT BRING SOLUTIONS

STANDARD PRODUCT FEATURES	XR SERIES	OPT SERIES	ULT SERIES
Electric Cab Control	X	X	X
High Tensile Steel Construction	X	X	X
Dual Pivot Design (<i>true dumping</i>)	X	X	X
Hook Safety Latch	X	X	X
Body Up Warning Light	X	X	X
Sensors / Wiring - IP67	X	X	X
Zinc Primer / Top-Coat Black	X	X	X
2-Speed / PLC Controller (<i>smart system</i>)			X
Soft Lowering (<i>dump cycle</i>)		X	X
Friction Relief (<i>loading / unloading</i>)			X
Float Function (<i>rough road assist</i>)		X	X
Pull Limiter (<i>manage short bodies</i>)		X	X
Solid Cast Inserts (<i>critical stress points</i>)		X	X
Product Warranty (<i>all parts / structural</i>)	2-yr / 3-yr	2-yr / 3-yr	2-yr / 5-yr



Hiab's nDurance™ paint is an anti-corrosion paint system using nano technology for the ultimate anti-corrosion coating, maintaining a rust-free **reliable** crane.



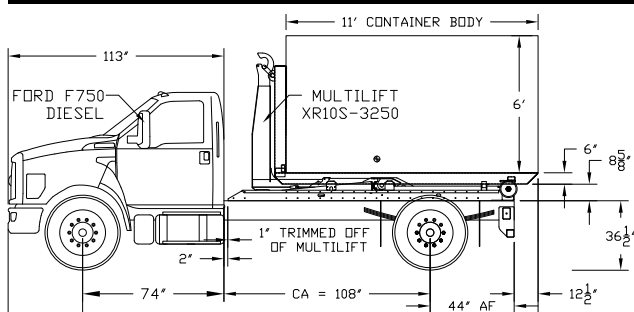
Hiab ProCare™ is a proactive preventative maintenance service contract, designed to **maximize uptime** of all Hiab equipment by maintaining proper service intervals.

We have invested heavily in our **Nationwide Service and Support** team as part of our commitment to our customers. With 28 branch locations and over 200 factory-trained mobile service technicians, your Hiab loader crane is protected with an unrivaled coast-to-coast service network, greatly reducing the **downtime** of your equipment, thus **reducing overhead costs**.

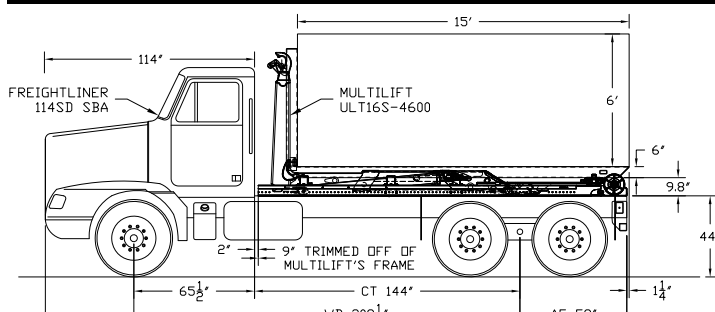
MULTILIFT XR10S / ULTIMA 16S Technical Specifications



MULTILIFT XR10S



MULTILIFT ULTIMA 16S



Our extensive stock of parts at our **Regional Distribution Center** ensures next-day delivery on almost all items, reducing **downtime** and **saving you money**. The same team you trust to deliver high-quality, premium products to your exact requirements can also be trusted to keep you moving.

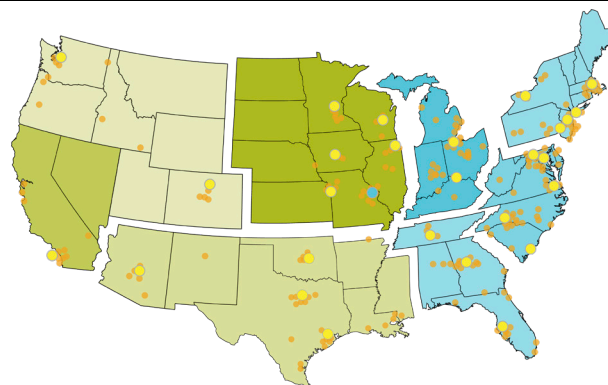


Hiab's **Leading Warranty** exceeds the industry's standard terms because our products are designed to last longer and provide many years of **reliable** service.



MULTILIFT's innovative design elements have the working environment in mind. All MULTILIFT Hooklifts models have Low System Weight and Optimized Cylinder Sizes, which reduce fuel consumption and costs, while lowering CO2 emissions. The ULTIMA and OPTIMA models have an optional Performance Package, which provides additional eco-friendly features, including Automatic Sequence Control, Fast Lowering, Fast Tipping, Friction Relief, all of which provide less noise pollution, reduced CO2 emissions, and allow the machine to maintain an increased speed without burning more fuel.

HIAB SERVICE CENTERS



Our commitment to you

Hiab is the world's leading provider of on-road load handling equipment, intelligent services, smart and connected solutions. Hiab's class-leading load handling equipment includes HIAB, EFFER and ARGOS loader cranes, LOGLIFT and JONSERED forestry and recycling cranes, MOFFETT and PRINCETON truck mounted forklifts, MULTILIFT skiploaders and hooklifts, and tail lifts under the ZEPRO, DEL, and WALTCO brands. As the industry pioneer and with a proud 75 year history, Hiab is committed to be the preferred partner and solution provider to its customers and shape the future of intelligent load handling. www.hiab.com Hiab is part of Cargotec Corporation. www.cargotec.com

For all your sales and service needs, call our nationwide hotline at 419.482.6000 to find your nearest Hiab USA branch.



HIAB



Hiab USA Inc
12233 Williams Road
Perrysburg, OH 43551 USA
tel. +419 482 6000
www.hiab.us.com

