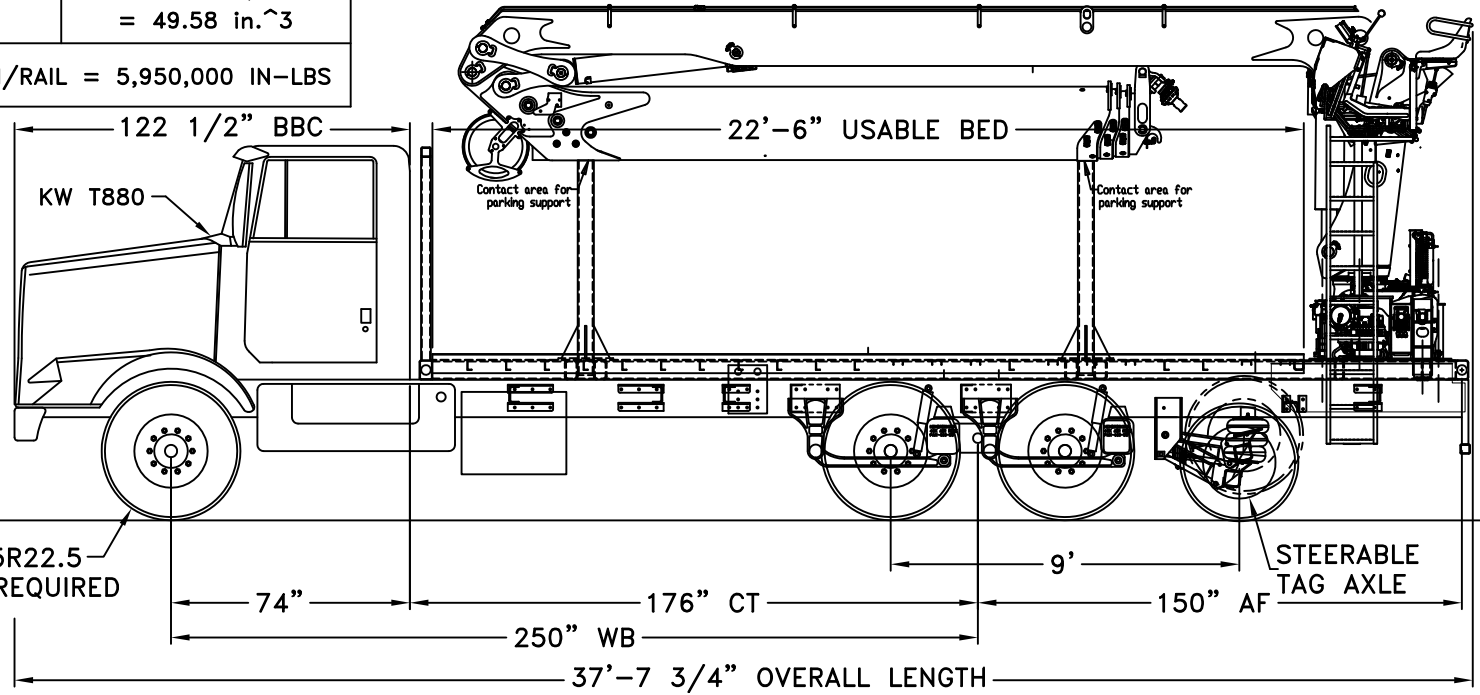


REV. PART NO. H3685A

YIELD STRENGTH
120,000 P.S.I. YIELD

CRANE MINIMUM SECTION
MODULUS REQUIRED
= 49.58 in.^{^3}

CRANE MINIMUM RBM/RAIL = 5,950,000 IN-LBS



CRANE MAY BE DERATED IN FRONT QUADRANTS AS MUCH AS 60%. ACTUAL DERATING SHALL BE BASED ON PHYSICAL TESTING.

425/65R22.5 TIRES REQUIRED

TRUCK, HIAB CRANE & ACCESSORIES WEIGHT DISTRIBUTION, NO PAYLOAD, TAG AXLE DOWN.	
TOTAL WEIGHT ON FRONT AXLE	= 14,200 LBS.
TOTAL WEIGHT ON TANDEM AXLE	= 17,940 LBS.
TOTAL WEIGHT ON TAG AXLE	= 11,000 LBS.
FRONT AXLE WT. PERCENTAGE	= 33 %
TANDEM AXLE WT. PERCENTAGE	= 42 %
TAG AXLE WT. PERCENTAGE	= 25 %
GROSS VEHICLE WEIGHT	= 43,140 LBS.

TRUCK, HIAB CRANE & ACCESSORIES WEIGHT DISTRIBUTION, WITH PAYLOAD, TAG AXLE DOWN.	
TOTAL WEIGHT ON FRONT AXLE	= 16,340 LBS.
TOTAL WEIGHT ON TANDEM AXLE	= 31,500 LBS.
TOTAL WEIGHT ON TAG AXLE	= 11,000 LBS.
FRONT AXLE WT. PERCENTAGE	= 28 %
TANDEM AXLE WT. PERCENTAGE	= 53 %
TAG AXLE WT. PERCENTAGE	= 19 %
GROSS VEHICLE WEIGHT	= 58,840 LBS.
PAYLOAD EVENLY DISTRIBUTED	= 15,700 LBS.

TRUCK SPECIFICATIONS	
TRUCK MODEL	= KENWORTH T880
WHEELBASE	= 250"
CAB TO TANDEM	= 176"
AXLE-TO-FRAME	= 150"
FRONT AXLE CURB WEIGHT	= 11,215 LBS.
TANDEM AXLE CURB WEIGHT	= 8,757 LBS.
FRONT G.A.W.R.	= 20,000 LBS.
TANDEM G.A.W.R.	= 46,000 LBS.
YIELD STRENGTH OF EACH FRAME RAIL	120,000 P.S.I. YIELD
MINIMUM SECTION MODULUS REQUIRED	= 38.00 in. ^{^3}
MINIMUM RBM/RAIL = 4,560,000 IN-LBS	

NOTES:
 DOUBLE FRAME CHASSIS REQUIRED.
 FRAME RAIL MINIMUM OF 38.0 SECTION MODULUS REQUIRED.
 FULL LENGTH SUB-FRAME REQUIRED:
 6"x4"x3/8" RECT. TUBING (ON TOP OF FRAME RAIL)
 5"x3"x3/8" RECT. TUBING (CROSSMEMBERS EVERY 3 FT.)
 TAG AXLE MUST BE DOWN IN ALL FORWARD GEARS.
 BODY WEIGHTS ARE ESTIMATED.
 CURB WEIGHTS WERE PROVIDED.
 TRUCK RUNS IN US (RULES FOR MOST STATES)
 20,000 LBS. ALLOWED ON FRONT AXLE GAWR.
 34,000 LBS. ALLOWED ON TANDEM.
 42,500 LBS. ALLOWED ON TRIDEM (9').
 60,500 LBS. ALLOWED FOR GROSS WEIGHT.
 ALLOWABLE LEGAL OVERALL LENGTH IS 40'.

NOTICE:
 THIS WEIGHT DISTRIBUTION IS BASED ON ESTIMATED WEIGHTS AND IS ONLY AS ACCURATE AS THOSE ESTIMATES. ACTUAL WEIGHTS MAY CHANGE THE RESULTS OF THIS WEIGHT DISTRIBUTION.

Hiab
 Hiab, Inc.
 12233 Williams Road
 Perrysburg, Ohio 43551
 Tel (419) 482-6000
 Fax (419) 482-6001

Tolerances - unless otherwise noted.
 Tolerances are in inches
 2-PLACE ±.000... .05
 3-PLACE ±.000... .015
 ANGULAR ±1/16"
 FRACTIONAL ±1/16"
 Break all sharp corners unless otherwise specified.

THIS PROPERTY AND ALL INFORMATION THEREIN IS THE PROPERTY OF HIAB, INC., 12233 WILLIAMS RD, PERRYSBURG, OHIO 43551 AND IS CONFIDENTIAL. IT MUST NOT BE MADE PUBLIC OR COPIED, THIS DRAWING IS LOANED TO RETURN UPON DEMAND AND SHALL NOT BE USED DIRECTLY OR INDIRECTLY IN ANY WAY DETRIMENTAL TO OUR INTERESTS. OUR PRIOR SPECIFIC APPROVAL IS REQUIRED FOR EXPOSURE OF THIS DRAWING TO OTHERS FOR ANY PURPOSE.

Next Assy.
 Dwg/Cad file no.
410K / SALES

Drawing Title: **HAIB 410K-3**

Project Name: **SALES LAYOUT**

Drawn by: **CSV** Date: **3-23-18** Size: Part No.
 Approved: Date Approved: Scale: unit wt. Eng. Job no.: