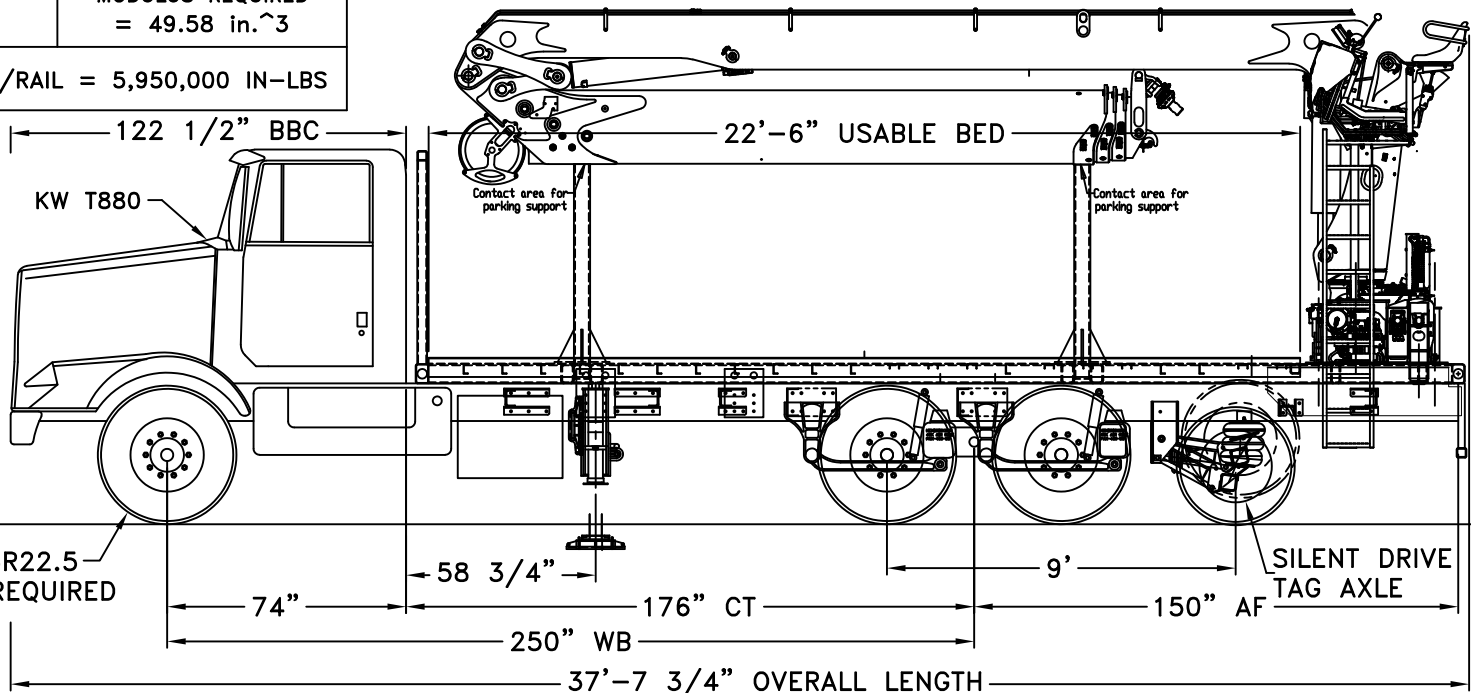


YIELD STRENGTH
120,000 P.S.I. YIELD

CRANE MINIMUM SECTION MODULUS REQUIRED
= 49.58 in.³

CRANE MINIMUM RBM/RAIL = 5,950,000 IN-LBS



TRUCK, HIAB CRANE & ACCESSORIES WEIGHT DISTRIBUTION, NO PAYLOAD, TAG AXLE DOWN.	
TOTAL WEIGHT ON FRONT AXLE	= 15,590 LBS.
TOTAL WEIGHT ON TANDEM AXLE	= 18,490 LBS.
TOTAL WEIGHT ON TAG AXLE	= 11,000 LBS.
FRONT AXLE WT. PERCENTAGE	= 35 %
TANDEM AXLE WT. PERCENTAGE	= 41 %
TAG AXLE WT. PERCENTAGE	= 24 %
GROSS VEHICLE WEIGHT	= 45,080 LBS.

TRUCK, HIAB CRANE & ACCESSORIES WEIGHT DISTRIBUTION, WITH PAYLOAD, TAG AXLE DOWN.	
TOTAL WEIGHT ON FRONT AXLE	= 17,630 LBS.
TOTAL WEIGHT ON TANDEM AXLE	= 31,500 LBS.
TOTAL WEIGHT ON TAG AXLE	= 11,000 LBS.
FRONT AXLE WT. PERCENTAGE	= 29 %
TANDEM AXLE WT. PERCENTAGE	= 53 %
TAG AXLE WT. PERCENTAGE	= 18 %
GROSS VEHICLE WEIGHT	= 60,130 LBS.
PAYLOAD EVENLY DISTRIBUTED	= 15,050 LBS.

TRUCK SPECIFICATIONS	
TRUCK MODEL	= KENWORTH T880
WHEELBASE	= 250"
CAB TO TANDEM	= 176"
AXLE-TO-FRAME	= 150"
FRONT AXLE CURB WEIGHT	= 11,900 LBS.
TANDEM AXLE CURB WEIGHT	= 8,700 LBS.
FRONT G.A.W.R.	= 20,000 LBS.
TANDEM G.A.W.R.	= 46,000 LBS.
YIELD STRENGTH OF EACH FRAME RAIL	120,000 P.S.I. YIELD
MINIMUM SECTION MODULUS REQUIRED	= 38.00 in. ³
MINIMUM RBM/RAIL = 4,560,000 IN-LBS	

NOTES:
 DOUBLE FRAME CHASSIS REQUIRED.
 FRAME RAIL MINIMUM OF 38.0 SECTION MODULUS REQUIRED.
 FULL LENGTH SUB-FRAME REQUIRED:
 6"x4"x3/8" RECT. TUBING (ON TOP OF FRAME RAIL)
 5"x3"x3/8" RECT. TUBING (CROSSMEMBERS EVERY 3 FT.)
 LIFT AXLE MUST BE DOWN IN ALL FORWARD GEARS.
 BODY WEIGHTS ARE ESTIMATED.
 CURB WEIGHTS WERE ESTIMATED.
 TRUCK RUNS IN US (RULES FOR MOST STATES)
 20,000 LBS. ALLOWED ON FRONT AXLE GAWR.
 34,000 LBS. ALLOWED ON TANDEM.
 42,500 LBS. ALLOWED ON TRIDEM (9').
 60,500 LBS. ALLOWED FOR GROSS WEIGHT.
 ALLOWABLE LEGAL OVERALL LENGTH IS 40'.

NOTICE:

THIS WEIGHT DISTRIBUTION IS BASED ON ESTIMATED WEIGHTS AND IS ONLY AS ACCURATE AS THOSE ESTIMATES. ACTUAL WEIGHTS MAY CHANGE THE RESULTS OF THIS WEIGHT DISTRIBUTION.

Hiab
 Hiab, Inc.
 12233 Williams Road
 Perrysburg, Ohio 43551
 Tel (419) 482-6000
 Fax (419) 482-6001

Tolerances - unless otherwise noted.
 Tolerances are in inches
 2-PLACE ±.00..... .05
 3-PLACE ±.000..... .015
 ANGULAR ±..... °
 FRACTIONAL ±..... 1/16"

Break all sharp corners unless otherwise specified.

Drawing Title: HAIB 410K-3

Project Name: SALES LAYOUT

Next Assy.

Dwg/Cad file no. 410K / SALES

Drawn by: Date:	Size:	Part No.
CSV 1-30-18		
Approval: Date Approved:	Scale: unit wt.	Eng. job no.: