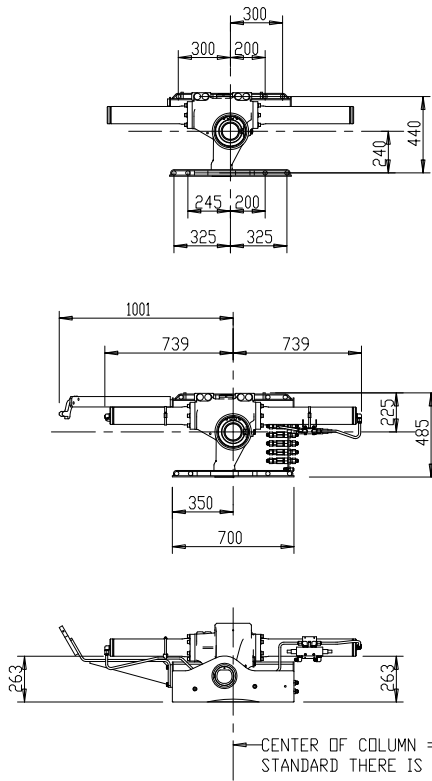
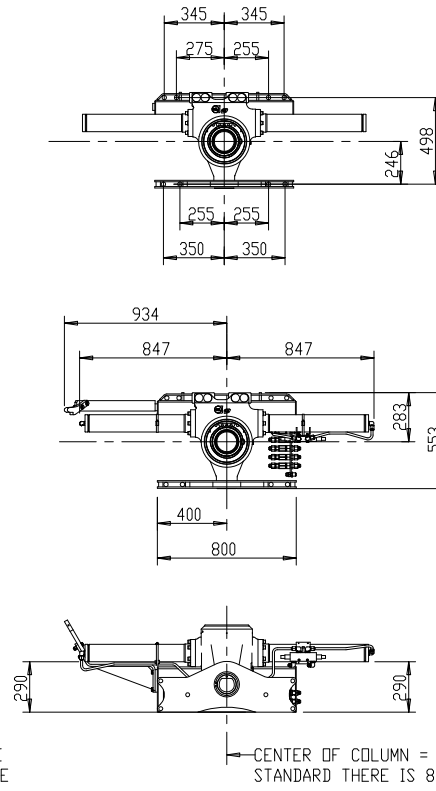


ISSUE	ITEM	ISSUE DESCRIPTION	SIGN	DATE
0				

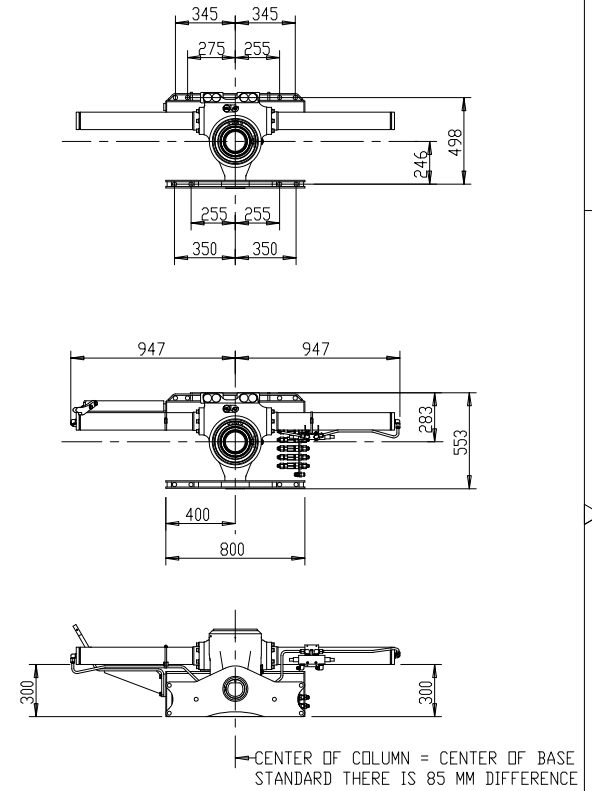
X-058/062/068/072



X-078/082/088/092



X-088/092/102/108



THIS BASE IS NOT POSSIBLE FOR 088/092E-4 & 088/092E-5

This drawing is the property of HIAB and is not to be reproduced, stored in a retrieval system, or transmitted in any form or by any means, electronic, mechanical, photocopying, recording, or by any information storage and retrieval system, without the prior written permission of HIAB.

This drawing is the property of HIAB and is not to be reproduced, stored in a retrieval system, or transmitted in any form or by any means, electronic, mechanical, photocopying, recording, or by any information storage and retrieval system, without the prior written permission of HIAB.

Hiab strongly recommends mounting the frame connection bolts as wide as possible to reduce stress in the base and guaranty the best durability

SCALE	1:20	DATE	SIGN
DRAWN			
CHECKED			
APPROVED			

STATIONAIRE VOET
STATIONARY BASE

col_weight(kg)	-
issue	0

STAT-BASE

