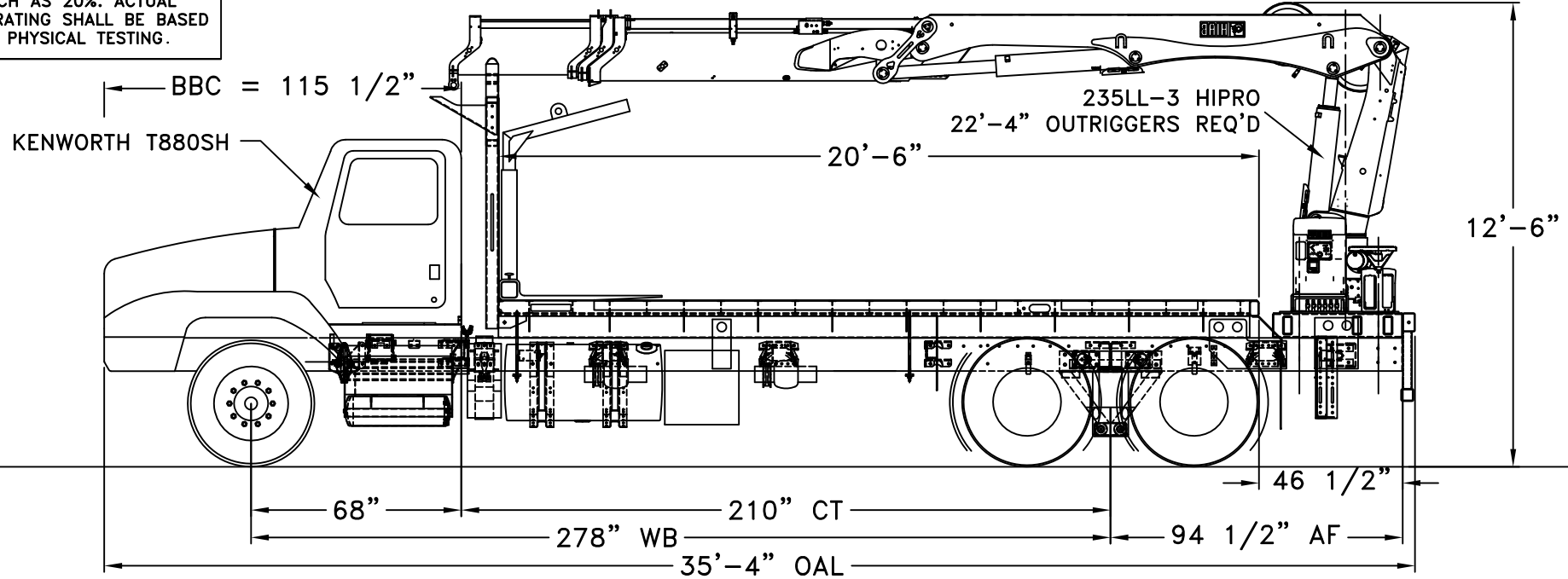


CRANE MAY BE DERATED IN FRONT QUADRANTS AS MUCH AS 20%. ACTUAL DERATING SHALL BE BASED ON PHYSICAL TESTING.



TRUCK, HIAB CRANE & ACCESSORIES WEIGHT DISTRIBUTION, NO PAYLOAD.	
TOTAL WEIGHT ON FRONT AXLE	= 12,850 LBS.
TOTAL WEIGHT ON REAR AXLE	= 18,120 LBS.
FRONT AXLE WT. PERCENTAGE	= 41 %
REAR AXLE WT. PERCENTAGE	= 59 %
GROSS VEHICLE WEIGHT	= 30,970 LBS.

TRUCK, HIAB CRANE & ACCESSORIES WEIGHT DIST., WITH PAYLOAD.	
TOTAL WEIGHT ON FRONT AXLE	= 18,710 LBS.
TOTAL WEIGHT ON REAR AXLE	= 34,000 LBS.
FRONT AXLE WT. PERCENTAGE	= 36 %
REAR AXLE WT. PERCENTAGE	= 64 %
GROSS VEHICLE WEIGHT	= 52,710 LBS.
WATER LEVEL PAYLOAD	= 21,740 LBS.

TRUCK SPECIFICATIONS	
TRUCK MODEL	= KW T880SH
WHEELBASE	= 278"
CAB TO AXLE	= 210"
AXLE-TO-FRAME	= 94 1/2"
FRONT AXLE CURB WEIGHT	= 11,000 LBS.
REAR AXLE CURB WEIGHT	= 7,800 LBS.
FRONT G.A.W.R.	= 20,000 LBS.
REAR G.A.W.R.	= 40,000 LBS.
YIELD STRENGTH OF EACH FRAME RAIL	MINIMUM SECTION MODULUS REQUIRED
120,000 P.S.I. YIELD	= 23.50 in. ³
MINIMUM RBM/RAIL OF 2,820,000 IN-LBS	

NOTES:
 DOUBLE FRAME CHASSIS REQUIRED.
 FRAME RAIL MUST MEET THE MINIMUM RBM REQUIRED.
 RISER REQUIRED FOR OUTRIGGER CLEARANCE:
 8"x4"x3/8" RECT. TUBING (ON TOP OF FRAME RAIL)
 6"x3"x3/8" RECT. TUBING (CROSS MEMBERS)
 FLATBED WEIGHT IS ESTIMATED.
 CURB WEIGHS ARE ESTIMATED.

TRUCK RUNS IN US (RULES FOR MOST STATES).
 20,000 LBS. ALLOWED ON FRONT AXLE.
 34,000 LBS. ALLOWED ON TANDEM AXLE.
 54,500 LBS. ALLOWED FOR GROSS VEHICLE WEIGHT.
 OVERALL LENGTH MUST NOT EXCEED 40'.

NOTICE:
 THE DRAWING PURPOSE IS TO INTRODUCE A GENERAL CONCEPT OF A PROPOSED IDEA.

NOTICE:
 THIS WEIGHT DISTRIBUTION IS BASED ON ESTIMATED WEIGHTS AND IS ONLY AS ACCURATE AS THOSE ESTIMATES. ACTUAL WEIGHTS MAY CHANGE THE RESULTS OF THIS WEIGHT DISTRIBUTION.

Hiab
 Hiab, Inc.
 12233 Williams Road
 Perrysburg, Ohio 43551
 Tel (419) 482-6000
 Fax (419) 482-6001

Tolerances - unless otherwise noted.
 Tolerances are in inches
 2-PLACE ±.00..... .03
 3-PLACE ±.000..... .015
 ANGULAR ± 1'
 FRACTIONAL ± 1/16"
 Break all sharp corners
 unless otherwise specified.

THIS PROPERTY AND ALL INFORMATION THEREIN IS THE PROPERTY OF HIAB, INC., 12233 WILLIAMS RD, PERRYSBURG, OHIO 43551 AND IS CONFIDENTIAL. IT MUST NOT BE MADE PUBLIC OR COPIED. THIS DRAWING IS LOANED TO RETURN UPON DEMAND AND SHALL NOT BE USED DIRECTLY OR INDIRECTLY IN ANY WAY DETRIMENTAL TO OUR INTERESTS. OUR PRIOR SPECIFIC APPROVAL IS REQUIRED FOR EXPOSURE OF THIS DRAWING TO OTHERS FOR ANY PURPOSE.

Next Assy.
 Dwg/Cad file no.
235L / SALES

Drawing Title:
HIAB 235 L-3 HIPRO CRANE

Project Name:
SALES LAYOUT

Drawn by/Date:
EJM 5-1-18

Approval/Date Approved:

Size: unit wt. Part No. Eng. job no.: