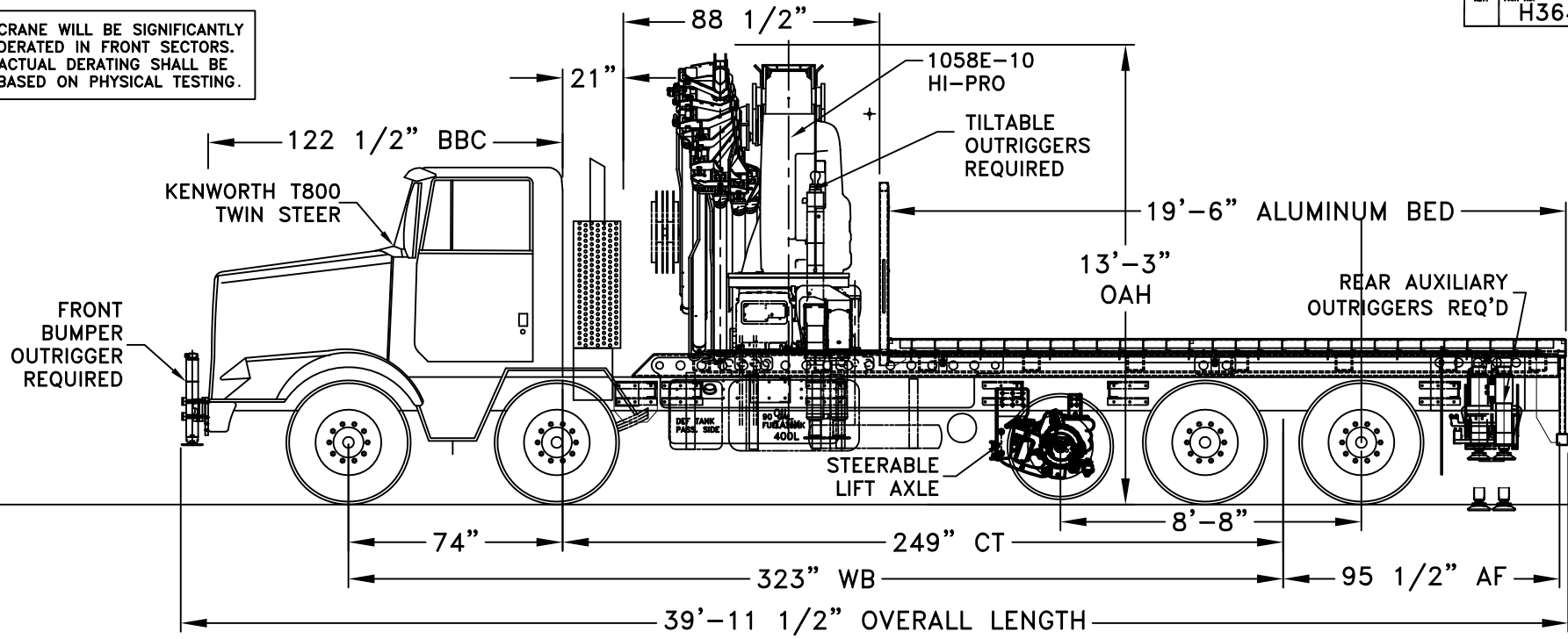


CRANE WILL BE SIGNIFICANTLY DERATED IN FRONT SECTORS. ACTUAL DERATING SHALL BE BASED ON PHYSICAL TESTING.



TRUCK, HIAB CRANE & ACCESSORY WEIGHT DISTRIBUTION <u>NO</u> PAYLOAD, LIFT AXLE DOWN.	
FRONT AXLE LOAD	= 30,330 LBS.
LIFT AXLE LOAD	= 8,500 LBS.
REAR AXLE LOAD	= 23,600 LBS.
FRONT AXLE PERCENTAGE	= 48 %
LIFT AXLE PERCENTAGE	= 14 %
REAR AXLE PERCENTAGE	= 38 %
GROSS VEHICLE WEIGHT	= 62,430 LBS.

TRUCK SPECIFICATIONS	
TRUCK MODEL	= KW T800 TWIN STEER
WHEELBASE	= 323"
CAB TO TANDEM	= 249"
AXLE-TO-FRAME	= 95 1/2"
FRONT AXLE CURB WEIGHT	= 15,900 LBS.
REAR AXLE CURB WEIGHT	= 9,600 LBS.
FRONT G.A.W.R.	= 40,000 LBS.
REAR G.A.W.R.	= 46,000 LBS.
YIELD STRENGTH OF EACH FRAME RAIL	MINIMUM SECTION MODULUS REQUIRED
120,000 P.S.I. YIELD	= 80.75 in. <sup>3</sup>
MINIMUM RBM/RAIL	= 9,690,000 IN-LBS

TRUCK, HIAB CRANE & ACCESSORY WEIGHT DISTRIBUTION <u>WITH</u> PAYLOAD, LIFT AXLE DOWN.	
FRONT AXLE LOAD	= 30,560 LBS.
LIFT AXLE LOAD	= 8,500 LBS.
REAR AXLE LOAD	= 26,940 LBS.
FRONT AXLE PERCENTAGE	= 46 %
LIFT AXLE PERCENTAGE	= 13 %
REAR AXLE PERCENTAGE	= 41 %
GROSS VEHICLE WEIGHT	= 66,000 LBS.
WATER LEVEL PAYLOAD	= 3,570 LBS.

**NOTICE:**  
THIS WEIGHT DISTRIBUTION IS BASED ON ESTIMATED WEIGHTS AND IS ONLY AS ACCURATE AS THOSE ESTIMATES. ACTUAL WEIGHTS MAY CHANGE THE RESULTS OF THIS WEIGHT DISTRIBUTION.

**NOTICE:**  
THE DRAWING PURPOSE IS TO INTRODUCE A GENERAL CONCEPT OF A PROPOSED IDEA.

**NOTES:**

TRIPLE FRAME CHASSIS REQUIRED, 120,000 PSI MINIMUM. CHASSIS FRAME RAIL MIN. OF 46.5 SECTION MODULUS REQ'D. FULL LENGTH SUB-FRAME REQUIRED: 8" x 4" x 1/2" RECT. TUBING (ON TOP OF RAIL) 6" x 6" x 1/2" RECT. TUBING (CROSSMEMBERS EVERY 3') FULL LENGTH TOP PLATE & BOTTOM PLATE REQUIRED. SUBFRAME AND AUX. OUTRIGGER WEIGHTS ESTIMATED. CURB WEIGHTS AND BODY WEIGHTS ARE ESTIMATED.

TRUCK RUNS IN US (RULES FOR MOST STATES). 34,000 LBS. ALLOWED ON TANDEM STEERING AXLE. 34,000 LBS. ALLOWED ON REAR TANDEM AXLE. 42,500 LBS. ALLOWED ON TRIDEM AXLE GROUP. 66,000 LBS. ALLOWED FOR GROSS WEIGHT. MAXIMUM LENGTH CANNOT EXCEED 40'.

**Hiab, Inc.**  
12235 Williams Road  
Perryburg, Ohio 43551  
Tel (419) 482-6000  
Fax (419) 482-6001  
Tolerances - unless otherwise noted. Tolerances are in inches.  
2-PLACE ±.00..... .03  
3-PLACE ±.000..... .015  
ANGULAR ± .....1'  
FRACTIONAL ± .....1/16"  
Break all sharp corners unless otherwise specified.

THIS PROPERTY AND ALL INFORMATION THEREIN IS THE PROPERTY OF HIAB, INC., 12235 WILLIAMS RD, PERRYBURG, OHIO 43551 AND IS CONFIDENTIAL. IT MUST NOT BE MADE PUBLIC OR COPIED. THIS DRAWING IS LOANED TO RETURN UPON DEMAND AND SHALL NOT BE USED DIRECTLY OR INDIRECTLY IN ANY WAY DETRIMENTAL TO OUR INTERESTS. OUR PRIOR SPECIFIC APPROVAL IS REQUIRED FOR EXPOSURE OF THIS DRAWING TO OTHERS FOR ANY PURPOSE.

Next Assy.  
Dwg/Cad file no.  
**1058/ SALES**

Drawing Title:		<b>HIAB 1058E-10 HI-PRO</b>	
Project Name:			
<b>SALES LAYOUT</b>			
Drawn by:	Date:	Size:	Part No.
J W	12-11-17		
Approval:	Date Approved:	Scale:	unit wt.
			Eng. job no.: