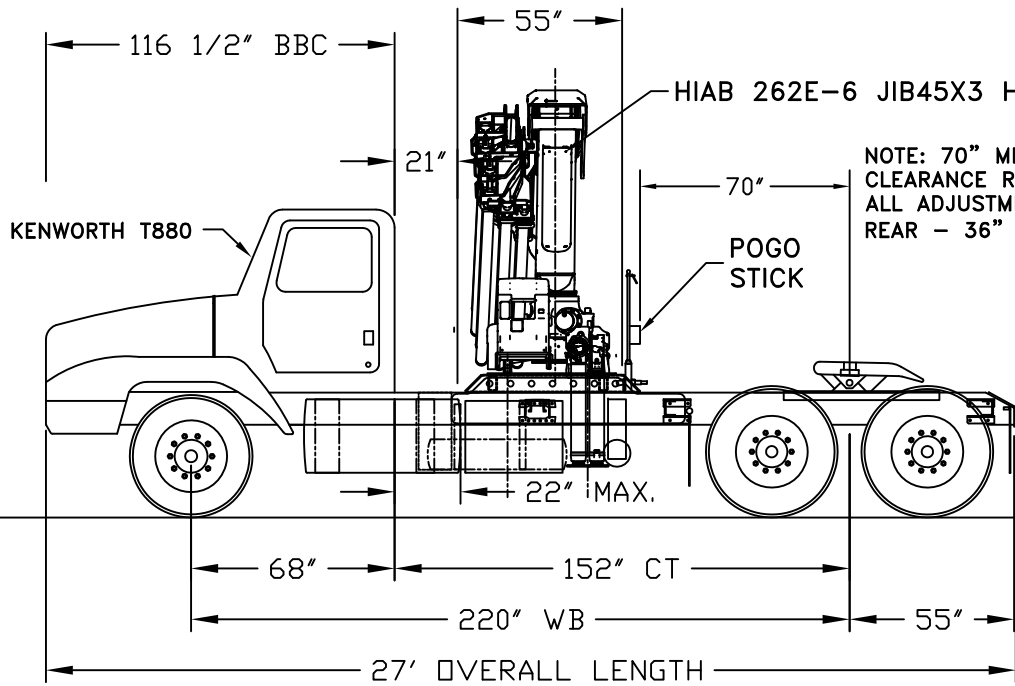


CRANE MAY BE DERATED IN FRONT QUADRANTS AS MUCH AS 35%. ACTUAL DERATING SHALL BE BASED ON PHYSICAL TESTING.



NOTE: 70" MINIMUM SWING CLEARANCE REQUIRED WITH ALL ADJUSTMENT TO THE REAR - 36" KINGPIN SETTING.

TRACTOR, CRANE & ACCESSORIES WEIGHT DISTRIBUTION, NO LOAD AT FIFTH WHEEL.	
FRONT AXLE LOAD	= 16,240 LBS.
TANDEM AXLE LOAD	= 13,140 LBS.
FRONT AXLE PERCENTAGE	= 55 %
TANDEM AXLE PERCENTAGE	= 45 %
GROSS VEHICLE WEIGHT	= 29,380 LBS.

TRACTOR, CRANE & ACCESSORIES WEIGHT DISTRIBUTION, MAX. LOAD AT FIFTH WHEEL.	
FRONT AXLE LOAD	= 16,240 LBS.
TANDEM AXLE LOAD	= 34,000 LBS.
FRONT AXLE PERCENTAGE	= 32 %
TANDEM AXLE PERCENTAGE	= 68 %
GROSS VEHICLE WEIGHT	= 50,240 LBS.
5TH WHEEL LOAD	= 20,860 LBS.

TRACTOR SPECIFICATIONS

TRACTOR MODEL	= KENWORTH T880
WHEELBASE	= 220"
CAB TO TANDEM	= 152"
AXLE-TO-FRAME	= 55"
FRONT AXLE TARE WEIGHT	= 10,302 LBS.
TANDEM AXLE TARE WEIGHT	= 7,300 LBS.
FRONT G.A.W.R.	= 20,000 LBS.
TANDEM G.A.W.R.	= 40,000 LBS.
YIELD STRENGTH OF EACH FRAME RAIL	MINIMUM SECTION MODULUS REQUIRED
120,000 P.S.I. YIELD	= 23.89 in. ³
MINIMUM RBM/RAIL OF 2,867,040 IN-LBS	

NOTES:
 DOUBLE FRAME CHASSIS REQUIRED.
 FRAME RAIL MUST MEET OR EXCEED THE MIN. RBM REQUIRED.
 RISER REQUIRED FOR OUTRIGGER CLEARANCE:
 6" x 4" x 3/8" RECT. TUBING (ON TOP OF RAIL)
 5" x 3" x 3/8" RECT. TUBING (CROSSMEMBERS)
 1/2" LARGE SIDE PLATES REQUIRED.
 TOTAL WEIGHT PROVIDED, CURB WEIGHTS WERE ESTIMATED.

TRACTOR RUNS IN US (RULES FOR MOST STATES).
 20,000 LBS. ALLOWED ON FRONT AXLE GAWR.
 34,000 LBS. ALLOWED ON TANDEM AXLE.
 51,500 LBS. ALLOWED FOR GROSS WEIGHT.

NOTICE:
 THE DRAWING PURPOSE IS TO INTRODUCE A GENERAL CONCEPT OF A PROPOSED IDEA.

NOTICE:
 THIS WEIGHT DISTRIBUTION IS BASED ON ESTIMATED WEIGHTS AND IS ONLY AS ACCURATE AS THOSE ESTIMATES. ACTUAL WEIGHTS MAY CHANGE THE RESULTS OF THIS WEIGHT DISTRIBUTION.

Hiab, Inc.
 Hiab, Inc.
 12233 Williams Road
 Perrysburg, Ohio 43551
 Tel (419) 482-6000
 Fax (419) 482-6001
 Tolerances - unless otherwise noted.
 Tolerances are in inches.
 2-PLACE ±.00..... .03
 3-PLACE ±.000..... .015
 ANGULAR ± 1'
 FRACTIONAL ± 1/16"
 Break all sharp corners unless otherwise specified.

THIS PROPERTY AND ALL INFORMATION THEREIN IS THE PROPERTY OF Hiab, Inc., 12233 WILLIAMS RD, PERRYSBURG, OHIO 43551 AND IS CONFIDENTIAL. IT MUST NOT BE MADE PUBLIC OR COPIED. THIS DRAWING IS LOANED TO RETURN UPON DEMAND AND SHALL NOT BE USED DIRECTLY OR INDIRECTLY IN ANY WAY DETRIMENTAL TO OUR INTERESTS. OUR PRIOR SPECIFIC APPROVAL IS REQUIRED FOR EXPOSURE OF THIS DRAWING TO OTHERS FOR ANY PURPOSE.

Next Assy.
 Dwg/Cad file no. 262 / SALES

Drawing Title:
HIAB 262E-6 JIB45X3 HIPRO

Project Name:
SALES LAYOUT

Drawn by:	Date:	Size:	Part No.
SMG	3-14-17		
Approval:	Date Approved:	Scale:	unit wt.
			Eng. job no.: