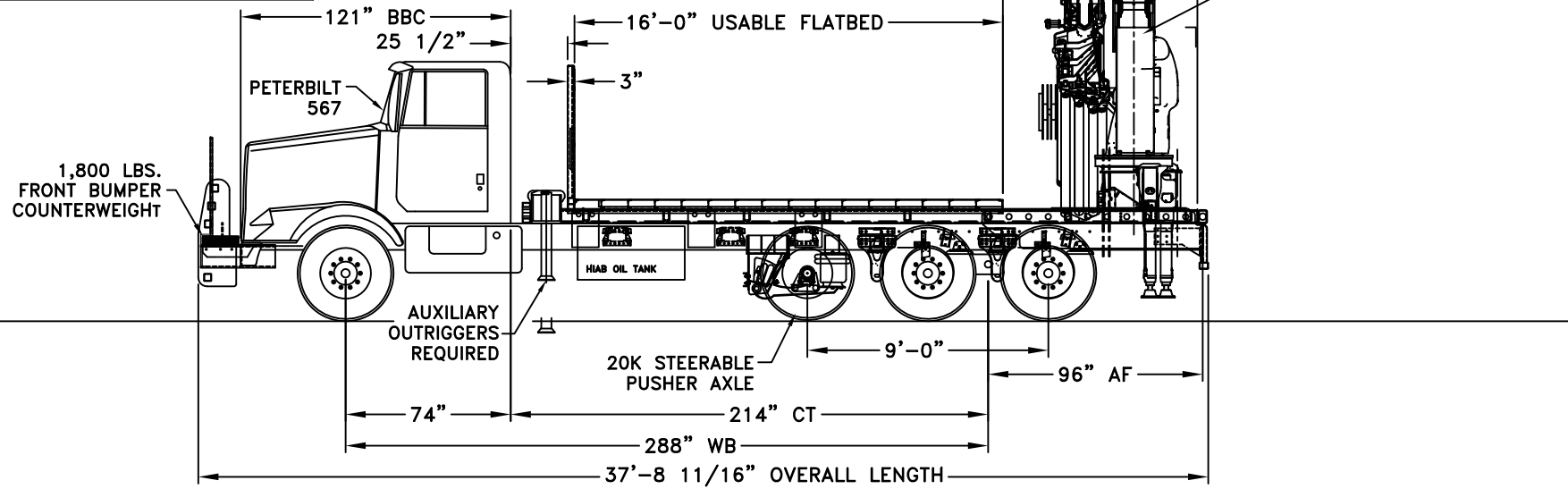


YIELD STRENGTH  
120,000 P.S.I. YIELD

CRANE MIN. SECTION  
MODULUS REQUIRED  
= 55.99 in.<sup>3</sup>

CRANE MIN. RBM/RAIL = 6,718,820 IN-LBS



TRUCK, HIAB CRANE & ACCESSORIES WEIGHT DISTRIBUTION, <u>NO PAYLOAD</u> , LIFT AXLE DOWN.	
TOTAL WEIGHT ON FRONT AXLE	= 11,350 LBS.
TOTAL WEIGHT ON PUSHER AXLE	= 12,500 LBS.
TOTAL WEIGHT ON TANDEM AXLE	= 28,730 LBS.
FRONT AXLE WT. PERCENTAGE	= 21 %
PUSHER AXLE WT. PERCENTAGE	= 24 %
TANDEM AXLE WT. PERCENTAGE	= 55 %
GROSS VEHICLE WEIGHT	= 52,580 LBS.

TRUCK, HIAB CRANE & ACCESSORIES WEIGHT DISTRIBUTION, <u>WITH PAYLOAD</u> , LIFT AXLE DOWN.	
TOTAL WEIGHT ON FRONT AXLE	= 11,910 LBS.
TOTAL WEIGHT ON PUSHER AXLE	= 12,500 LBS.
TOTAL WEIGHT ON TANDEM AXLE	= 30,000 LBS.
FRONT AXLE WT. PERCENTAGE	= 22 %
PUSHER AXLE WT. PERCENTAGE	= 23 %
TANDEM AXLE WT. PERCENTAGE	= 55 %
TRUCK GROSS VEHICLE WEIGHT	= 54,410 LBS.
WATER WEIGHT PAYLOAD	= 1,830 LBS.

TRUCK SPECIFICATIONS	
TRUCK MODEL	= PETERBILT 567
WHEELBASE	= 288"
CAB TO TANDEM	= 214"
AXLE-TO-FRAME	= 96"
FRONT CURB WEIGHT	= 11,400 LBS.
TANDEM CURB WEIGHT	= 9,600 LBS.
FRONT G.A.W.R.	= 20,000 LBS.
TANDEM G.A.W.R.	= 46,000 LBS.
YIELD STRENGTH OF EACH FRAME RAIL	120,000 P.S.I. YIELD
MINIMUM SECTION MODULUS REQUIRED	= 38.00 in. <sup>3</sup>
MINIMUM RBM/RAIL	= 4,560,000 IN-LBS

**NOTES:**

DOUBLE FRAME CHASSIS REQUIRED.  
CHASSIS FRAME RAIL MIN. OF 38.0 SECTION MODULUS REQ'D.  
FULL LENGTH SUB-FRAME REQUIRED:  
6"x4"x1/2" RECT. TUBING (ON TOP OF CHASSIS FRAME)  
5"x3"x1/2" RECT. TUBING (CROSSMEMBERS EVERY 3 FT.)  
1/2" TOP & 3/8" BOTTOM PLATE REQUIRED.  
LIFT AXLE MUST BE DOWN IN ALL FORWARD GEARS.  
FLATBED & LIFT AXLE WEIGHTS ARE ESTIMATED.  
CURB WEIGHTS WERE ESTIMATED.

TRUCK RUNS IN NEW YORK STATE.  
20,000 LBS. ALLOWED ON FRONT AXLE GAWR.  
36,000 LBS. ALLOWED ON TANDEM AXLE.  
42,500 LBS. ALLOWED ON 3 AXLE GROUP. (9')  
59,500 LBS. ALLOWED FOR TRUCK GROSS WEIGHT (26').  
MAXIMUM OVERALL LENGTH CAN NOT EXCEED 40'.

**NOTICE:**  
THE DRAWING PURPOSE IS TO INTRODUCE A GENERAL CONCEPT OF A PROPOSED IDEA.

**NOTICE:**  
THIS WEIGHT DISTRIBUTION IS BASED ON ESTIMATED WEIGHTS AND IS ONLY AS ACCURATE AS THOSE ESTIMATES. ACTUAL WEIGHTS MAY CHANGE THE RESULTS OF THIS WEIGHT DISTRIBUTION.

**Hiab, Inc.**  
Hiab, Inc.  
12233 Williams Road  
Perryburg, Ohio 43551  
Tel (419) 482-6000  
Fax (419) 482-6001

Tolerances - unless otherwise noted.  
Tolerances are in inches.  
2-PLACE ±.000... .03  
3-PLACE ±.000... .015  
ANGULAR ± .....1'  
FRACTIONAL ± .....1/16"  
Break all sharp corners unless otherwise specified.

THIS PROPERTY AND ALL INFORMATION THEREIN IS THE PROPERTY OF HIAB, INC., 12233 WILLIAMS RD, PERRYBURG, OHIO 43551 AND IS CONFIDENTIAL. IT MUST NOT BE MADE PUBLIC OR COPIED. THIS DRAWING IS LOANED TO RETURN UPON DEMAND AND SHALL NOT BE USED DIRECTLY OR INDIRECTLY IN ANY WAY DETRIMENTAL TO OUR INTERESTS. OUR PRIOR SPECIFIC APPROVAL IS REQUIRED FOR EXPOSURE OF THIS DRAWING TO OTHERS FOR ANY PURPOSE.

Next Assy.

Dwg/Cad file no.  
**548 / SALES**

Drawing Title: <b>HIAB 548E-6+JIB 150X-6 HIPRO</b>	
Project Name: <b>SALES LAYOUT</b>	
Drawn by/Date: <b>EJM 2-13-17</b>	Size: Part No.
Approval: Date Approved:	Scale: unit wt. Eng. job no.: