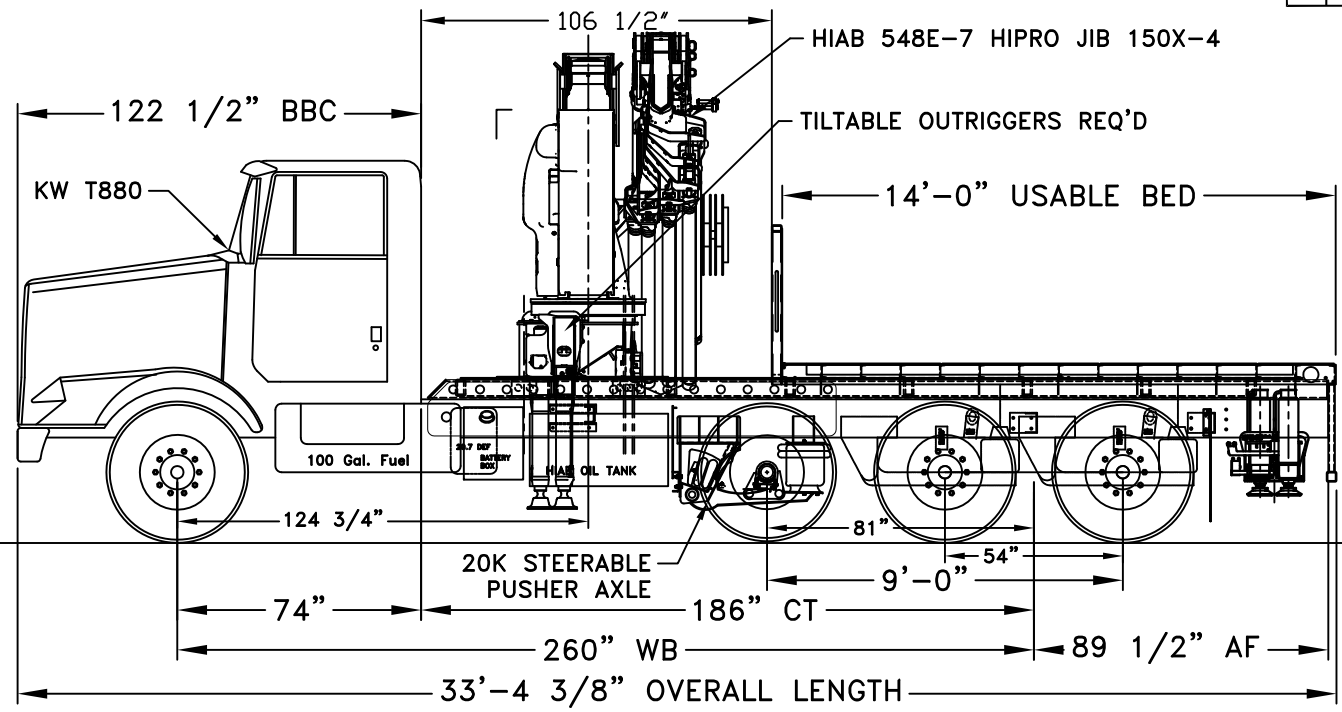


CRANE WILL BE SIGNIFICANTLY DERATED IN FRONT SECTORS. ACTUAL DERATING SHALL BE BASED ON PHYSICAL TESTING.



TRUCK, HIAB CRANE & ACCESS. WEIGHT DIST. NO PAYLOAD, LIFT AXLE DOWN.	
FRONT AXLE LOAD	= 17,820 LBS.
LIFT AXLE LOAD	= 12,500 LBS.
REAR AXLE LOAD	= 20,910 LBS.
FRONT AXLE PERCENTAGE	= 35 %
LIFT AXLE PERCENTAGE	= 24 %
REAR AXLE PERCENTAGE	= 41 %
GROSS VEHICLE WEIGHT	= 52,230 LBS.

TRUCK, HIAB CRANE & ACCESS. WEIGHT DIST. WITH PAYLOAD, LIFT AXLE DOWN.	
FRONT AXLE LOAD	= 17,610 LBS.
LIFT AXLE LOAD	= 12,500 LBS.
REAR AXLE LOAD	= 27,890 LBS.
FRONT AXLE PERCENTAGE	= 30 %
LIFT AXLE PERCENTAGE	= 22 %
REAR AXLE PERCENTAGE	= 48 %
FIFTH WHEEL LOAD	= 6,770 LBS.
GROSS VEHICLE WEIGHT	= 58,000 LBS.

TRUCK SPECIFICATIONS	
TRUCK MODEL	= KENWORTH T880
WHEELBASE	= 260"
CAB TO TRIDEM	= 186"
AXLE-TO-FRAME	= 89 1/2"
FRONT AXLE CURB WEIGHT	= 11,500 LBS.
REAR AXLE CURB WEIGHT	= 9,400 LBS.
FRONT G.A.W.R.	= 22,000 LBS.
REAR G.A.W.R.	= 46,000 LBS.
YIELD STRENGTH OF EACH FRAME RAIL	MINIMUM SECTION MODULUS REQUIRED
120,000 P.S.I. YIELD	46.59 = in. ³
MINIMUM RBM/RAIL	= 5,590,500 IN-LBS

NOTICE:
THIS WEIGHT DISTRIBUTION IS BASED ON ESTIMATED WEIGHTS AND IS ONLY AS ACCURATE AS THOSE ESTIMATES. ACTUAL WEIGHTS MAY CHANGE THE RESULTS OF THIS WEIGHT DISTRIBUTION.

NOTICE:
THE DRAWING PURPOSE IS TO INTRODUCE A GENERAL CONCEPT OF A PROPOSED IDEA.

NOTES:
DOUBLE FRAME CHASSIS REQUIRED, 120,000 PSI MINIMUM. CHASSIS FRAME RAIL MIN. OF 38.0 SECTION MODULUS REQ'D. FULL LENGTH SUB-FRAME REQUIRED:
6"x4"x3/8" RECT. TUBING (ON TOP OF RAIL)
5"x3"x3/8" RECT. TUBING (CROSSMEMBERS EVERY 3')
1/2" TOP AND 3/8" BOTTOM PLATE REQUIRED.
SUBFRAME AND AUX. OUTRIGGER WEIGHTS ESTIMATED. CURB WEIGHTS ARE ESTIMATED.
PUSHER AXLE MUST BE DOWN IN ALL FORWARD GEARS.
TRUCK RUNS IN NEW YORK CITY.
22,000 LBS. ALLOWED ON FRONT AXLE GAWR.
36,000 LBS. ALLOWED ON TANDEM.
42,500 LBS. ALLOWED ON A 9' TRIDEM.
58,000 LBS. ALLOWED FOR GROSS WEIGHT.
MAXIMUM LENGTH CANNOT EXCEED 35'.

Hiab, Inc.
Hiab, Inc.
12233 Williams Road
Perrysburg, Ohio 43051
Tel (419) 482-6000
Fax (419) 482-6001
Tolerances - unless otherwise noted.
Tolerances are in inches.
2-PLACE ±.00..... .03
3-PLACE ±.000..... .015
ANGULAR ±1'
FRACTIONAL ±1/16"
Break all sharp corners unless otherwise specified.

THIS PROPERTY AND ALL INFORMATION THEREIN IS THE PROPERTY OF HIAB, INC., 12233 WILLIAMS RD, PERRYSBURG, OHIO 43051 AND IS CONFIDENTIAL. IT MUST NOT BE MADE PUBLIC OR COPIED. THIS DRAWING IS LOANED TO RETURN UPON DEMAND AND SHALL NOT BE USED DIRECTLY OR INDIRECTLY IN ANY WAY DETRIMENTAL TO OUR INTERESTS. OUR PRIOR SPECIFIC APPROVAL IS REQUIRED FOR EXPOSURE OF THIS DRAWING TO OTHERS FOR ANY PURPOSE.
Next Assy.
Dwg/Cad file no. 622 / SALES

Drawing Title: HIAB 548E-7 HIPRO JIB 150X-4	
Project Name: SALES LAYOUT	
Drawn by/Date: EJM 1-27-17	Size: Part No.
Approval: Date Approved:	Scale: unit wt. Eng. job no.: