

**HIAB**



**HIAB AT WORK**  
**TREE CARE**

# FLEXIBLE SOLUTION FOR A COMPLEX OPERATION

With a highly competitive tree care and landscaping market, businesses need reliable equipment with a lower operating cost. HIAB cranes allow the amount of labor onsite to be reduced, while working more quickly, reliably, and safely, which achieves a greater efficiency with a controlled cost.

Hiab offers a wide range of cranes, optional jib configurations, and a variety of mounting configurations to suit every application in tree care. With a high lift capacity to low weight ratio and compact dimensions, HIAB cranes provide the speed and flexibility to streamline any tree care operation. When equipped with a grapple, less workers can safely and efficiently perform tree care and removal, which is the ideal solution to maximize productivity and bring a prompt return on your investment.

## HIAB ADDRESSES YOUR INDUSTRY PAIN POINTS

Hiab loader cranes are stronger, tougher, and smarter, easily adapting to the ever changing needs of the tree care industry. With reliable support, intelligent services, and a growing number of connected solutions, Hiab loader cranes will maximize performance by offering the right solution for loading, unloading, or moving materials. Like no other truck mounted equipment provider, Hiab understands the specific requirements and realities of any industry and will help secure a safer, more efficient operation with reduced downtime while maximizing revenue.

**SAFETY** - Hiab's industry leading technology provides world class, industry leading safety features that keep operators safe and in control, minimizing risk to individuals or the environment. With the smart technology solutions of Hiab's loader cranes, human driven errors and unsafe operations are reduced.

**EFFICIENCY** - Hiab's advanced technology drives the performance of the equipment resulting in superior operation efficiencies. Hiab's class-leading products can not only be used by operators of different skill levels, but are also helpful with everchanging resources, supporting business efficiency and increasing productivity.

**DOWNTIME** - Hiab's renowned reliability combined with industry leading safety features and control systems is proven to reduce downtime, while our nationwide service network ensures that equipment is maintained with minimal oversight.

**TRAINING** - Training and educating operators takes time, but Hiab's advanced control systems and technology allows customers to manage their resources in the best way, whether the operator is highly experienced or a new employee without losing too much time.

**RELIABILITY** - Hiab loader cranes are the industry leaders in the area of reliability. Our premium engineering and cutting edge operation management features ensure optimum longevity and service life of your equipment. All backed up with the most comprehensive warranty in the market.

**REVENUE** - Hiab loader cranes provide many cost benefits that are ideal for businesses with repetitive, efficient operations. With a reliable design, quality materials, game changing smart technology, and industry specific innovation, investing in Hiab equipment provides a total package for any industry.



Hiab HiConnect™ is a web-based dashboard that displays insights on equipment usage, location, time in operation, idle time, and productivity level. By enabling new insights, it helps you to further increase efficiency, productivity, and safety. HiConnect is the latest technology in terms of connectivity capabilities. Being able to remotely access data is

key to maximizing your business with facts instead of assumptions. HiConnect maintains constant contact with all units, giving fleet managers the ability to stop unsafe behavior and usage before an incident happens. With the ability to view service history and plan upcoming services, your fleet has minimum downtime and increases daily efficiencies.



&



Saying you are confident in your product is one thing, warranting it is another. The HIAB tree care cranes have a 2-year warranty on the entire crane and a 5-year warranty on the structural parts. Meaning, Hiab covers repair or replacement of components for 2 years. In addition, in the 3rd, 4th or 5th year, if a main, structural component fails your Hiab warranty will cover it. Certain normal exceptions (such as replacement of consumables) apply.

## FEATURES THAT BRING SOLUTIONS



The HiPro control system with Overload Protection (OLP) is standard on all HIAB heavy-range cranes and brings an unprecedented level of **safety** to operations without reducing performance. When approaching an overload condition, the crane gives an audible and visual signal at 90% and will stop all radius increasing functions once full capacity has been reached.



**Automatic Speed Control (ASC)** reduces dynamic loading by progressively reducing the speed of the crane when the capacity is between 80% and 100%, preventing operators from performing **unsafe, abrupt movements**.



Hiab's **Variable Stability Limit system (VSL)** monitors the truck's stability by registering the extension of stabilizers and monitoring the pressures at each leg to determine the **maximum safe capacity** of the crane, allowing for higher capacities in situations where the legs are not able to be fully extended. **VSL Plus** compensates for the weight of the load on the truck, offering even greater lifting capacities, increasing the **efficiency** of any business. **VSL** and **VSL Plus** are available on all Hiab X-HiPro heavy-range cranes.



**Load Stability System (LSS-V)** provides smoother, more precise vertical boom motions. If an operator performs a hard stop while raising or lowering a load, the **LSS-V** system controls boom movement, minimizing the bouncing of the boom and load, while preventing load damage and unnecessary stress on the crane's components. This feature works in the background to smooth out boom functions allowing for easier placement of the load, making deliveries faster and more **efficient**. By controlling boom movement and minimizing the bounce of the boom, the structural stress is reduced, thus increasing the expected service life of the crane.



The **felling grapple** hydraulically tilts up to align with the tree and features automatic yaw relief to reduce boom stress after the cutting process is completed. The saw uses the combined flow of both option circuits to increase cutting speed and maximize productivity. All of the grapple features are controlled from the Hiab crane remote without the need for a secondary remote or aftermarket electronics.



The **HIAB CombiDrive3** remote control increases **efficiency** by giving the operator freedom of movement to use the best possible position to view the load. It comes standard with a 100%, 70%, or 50% speed switch. This feature allows the operator to easily change the speed of the crane - especially useful when adjusting heavy loads at long outreaches. The **HIAB CombiDrive3** remote control is **reliable** and worry-free industrial component designed to last the life of the crane.



**Pump Flow Distribution (PFD)** provides smooth crane operations by equally dividing oil flow instead of taking the path of least resistance. **PFD** ensures that available oil flow is distributed evenly, making the crane operation very predictable, smooth, and precise.



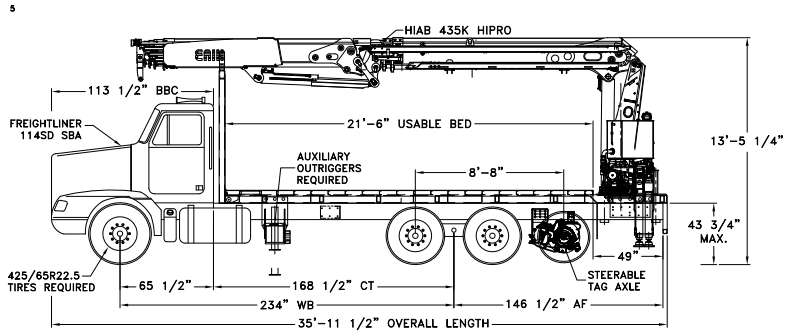
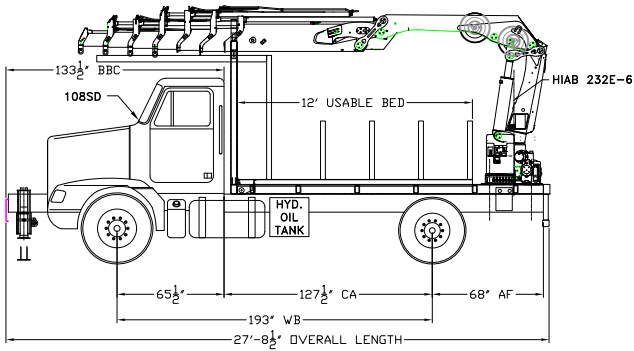
**Hiab's nDurance™** paint is an anti-corrosion paint system using nano technology for the ultimate anti-corrosion coating, maintaining a rust-free **reliable** crane.



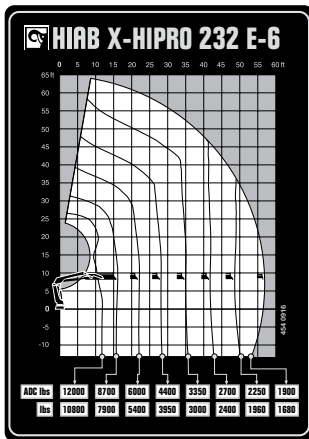
**Hiab ProCare™** is a proactive preventative maintenance service contract, designed to **maximize uptime** of all Hiab equipment by maintaining proper service intervals.

We have invested heavily in our **Nationwide Service and Support** team as part of our commitment to our customers. With 28 branch locations and over 200 factory-trained mobile service technicians, your Hiab loader crane is protected with an unrivaled coast-to-coast service network, greatly reducing the **downtime** of your equipment, thus **reducing overhead costs**.

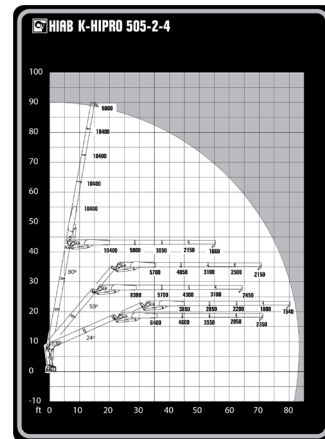
# HIAB X-HIPRO 232 E-6 / K-HIPRO 505-2-4 Technical Specifications



## HIAB X-HIPRO 232 E-6



## HIAB K-HIPRO 505-2-4



Our extensive stock of parts at our **Regional Distribution Center** ensures next-day delivery on almost all items, reducing **downtime** and **saving you money**. The same team you trust to deliver high-quality, premium products to your exact requirements can also be trusted to keep you moving.



Hiab's **Leading Warranty** exceeds the industry's standard terms because our products are designed to last longer and provide many years of **reliable** service.



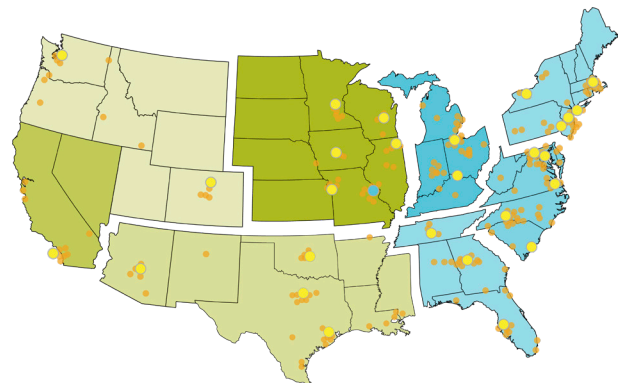
Hiab's innovative design elements have the working **environment** in mind. HIAB cranes have a high performing control system, which saves on fuel consumption. Our Valve 200, when combined with a variable displacement piston pump, provides the highest level of speed, precision, and efficiency available. On average, a HIAB drywall crane with the V200 and variable pump will consume 325 gallons less diesel fuel per year compared to other models using fixed displacement pumps.

### Our commitment to you

Hiab is the world's leading provider of on-road load handling equipment, intelligent services, smart and connected solutions. Hiab's class-leading load handling equipment includes HIAB, EFFER and ARGOS loader cranes, LOGLIFT and JONSERED forestry and recycling cranes, MOFFETT and PRINCETON truck mounted forklifts, MULTILIFT skiploaders and hooklifts, and tail lifts under the ZEPRO, DEL, and WALTCO brands. As the industry pioneer and with a proud 75 year history, Hiab is committed to be the preferred partner and solution provider to its customers and shape the future of intelligent load handling. [www.hiab.com](http://www.hiab.com) Hiab is part of Cargotec Corporation. [www.cargotec.com](http://www.cargotec.com)

**For all your sales and service needs, call our nationwide hotline at 419.482.6000 to find your nearest Hiab USA branch.**

## HIAB USA LOCATIONS



# HIAB

Hiab USA Inc  
12233 Williams Road  
Perrysburg, OH 43551 USA  
tel. +419 482 6000  
[www.hiab.us.com](http://www.hiab.us.com)

