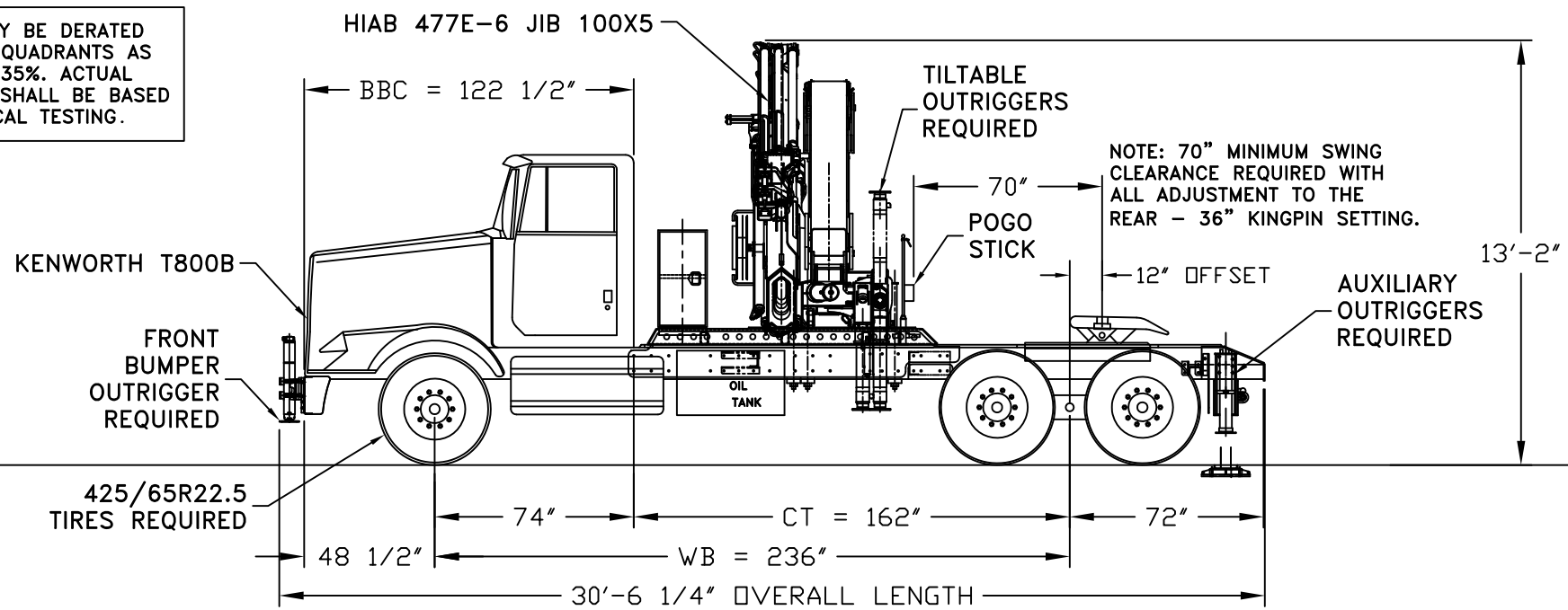


CRANE MAY BE DERATED IN FRONT QUADRANTS AS MUCH AS 35%. ACTUAL DERATING SHALL BE BASED ON PHYSICAL TESTING.



**TRACTOR, CRANE & ACCESSORIES WEIGHT DISTRIBUTION, NO LOAD AT FIFTH WHEEL.**

FRONT AXLE LOAD	= 19,500 LBS.
TANDEM AXLE LOAD	= 22,210 LBS.
FRONT AXLE PERCENTAGE	= 47 %
TANDEM AXLE PERCENTAGE	= 53 %
GROSS VEHICLE WEIGHT	= 41,710 LBS.

**TRACTOR, CRANE & ACCESSORIES WEIGHT DISTRIBUTION, MAX. LOAD AT FIFTH WHEEL.**

FRONT AXLE LOAD	= 18,950 LBS.
TANDEM AXLE LOAD	= 33,550 LBS.
FRONT AXLE PERCENTAGE	= 36 %
TANDEM AXLE PERCENTAGE	= 64 %
GROSS VEHICLE WEIGHT	= 52,500 LBS.
5TH WHEEL LOAD	= 10,790 LBS.

**TRACTOR SPECIFICATIONS**

TRACTOR MODEL	= KENWORTH T800
WHEELBASE	= 236"
CAB TO TANDEM	= 162"
AXLE-TO-FRAME	= 72"
FRONT AXLE CURB WEIGHT	= 11,300 LBS.
TANDEM AXLE CURB WEIGHT	= 9,200 LBS.
FRONT G.A.W.R.	= 20,000 LBS.
TANDEM G.A.W.R.	= 46,000 LBS.
YIELD STRENGTH OF EACH FRAME RAIL	MINIMUM SECTION MODULUS REQUIRED
120,000 P.S.I. YIELD	= 43.75 in. <sup>3</sup>
MINIMUM RBM/RAIL OF 5,250,000 IN-LBS	

**NOTES:**  
 DOUBLE FRAME RAIL REQUIRED.  
 FRAME RAIL MINIMUM OF 37.0 SECTION MODULUS REQUIRED.  
 RISER REQUIRED UNDER CRANE FOR OUTRIGGER CLEARANCE.  
 6" x 4" x 3/8" RECT. TUBING (ON TOP OF RAIL)  
 5" x 3" x 3/8" RECT. TUBING (CROSSMEMBERS)  
 1" THICK TOP PLATE & 1/2" LARGE SIDE PLATES REQUIRED.  
 CURB WEIGHTS ARE ESTIMATED.

TRUCK RUNS IN US (RULES FOR MOST STATES).  
 20,000 LBS. ALLOWED ON FRONT TIRES.  
 34,000 LBS. ALLOWED ON TANDEM AXLE.  
 52,500 LBS. ALLOWED FOR GROSS WEIGHT (22").

**NOTICE:**  
 THE DRAWING PURPOSE IS TO INTRODUCE A GENERAL CONCEPT OF A PROPOSED IDEA.

**NOTICE:**  
 THIS WEIGHT DISTRIBUTION IS BASED ON ESTIMATED WEIGHTS AND IS ONLY AS ACCURATE AS THOSE ESTIMATES. ACTUAL WEIGHTS MAY CHANGE THE RESULTS OF THIS WEIGHT DISTRIBUTION.

**Hiab, Inc.**  
 Hiab, Inc.  
 12233 Williams Road  
 Perrysburg, Ohio 43551  
 Tel (419) 482-6000  
 Fax (419) 482-6001  
 Tolerances - unless otherwise noted.  
 Tolerances are in inches.  
 2-PLACE ±.00..... .03  
 3-PLACE ±.000..... .015  
 ANGULAR ± ..... 1'  
 FRACTIONAL ± ..... 1/16"  
 Break all sharp corners unless otherwise specified.

THIS PROPERTY AND ALL INFORMATION THEREIN IS THE PROPERTY OF Hiab, Inc., 12233 WILLIAMS RD, PERRYSBURG, OHIO 43551 AND IS CONFIDENTIAL. IT MUST NOT BE MADE PUBLIC OR COPIED. THIS DRAWING IS LOANED TO RETURN UPON DEMAND AND SHALL NOT BE USED DIRECTLY OR INDIRECTLY IN ANY WAY DETRIMENTAL TO OUR INTERESTS. OUR PRIOR SPECIFIC APPROVAL IS REQUIRED FOR EXPOSURE OF THIS DRAWING TO OTHERS FOR ANY PURPOSE.

Next Assy.  
 Dwg/Cad file no. 477 / SALES

**Drawing Title:**  
 HIAB 477E-6 JIB100X5 CRANE

**Project Name:**  
 SALES LAYOUT

Drawn by:	Date:	Size:	Part No.
J W	9/3/14	C	
Approval:	Date Approved:	Scale:	unit wt.
		N/A	

Eng. job no.: