

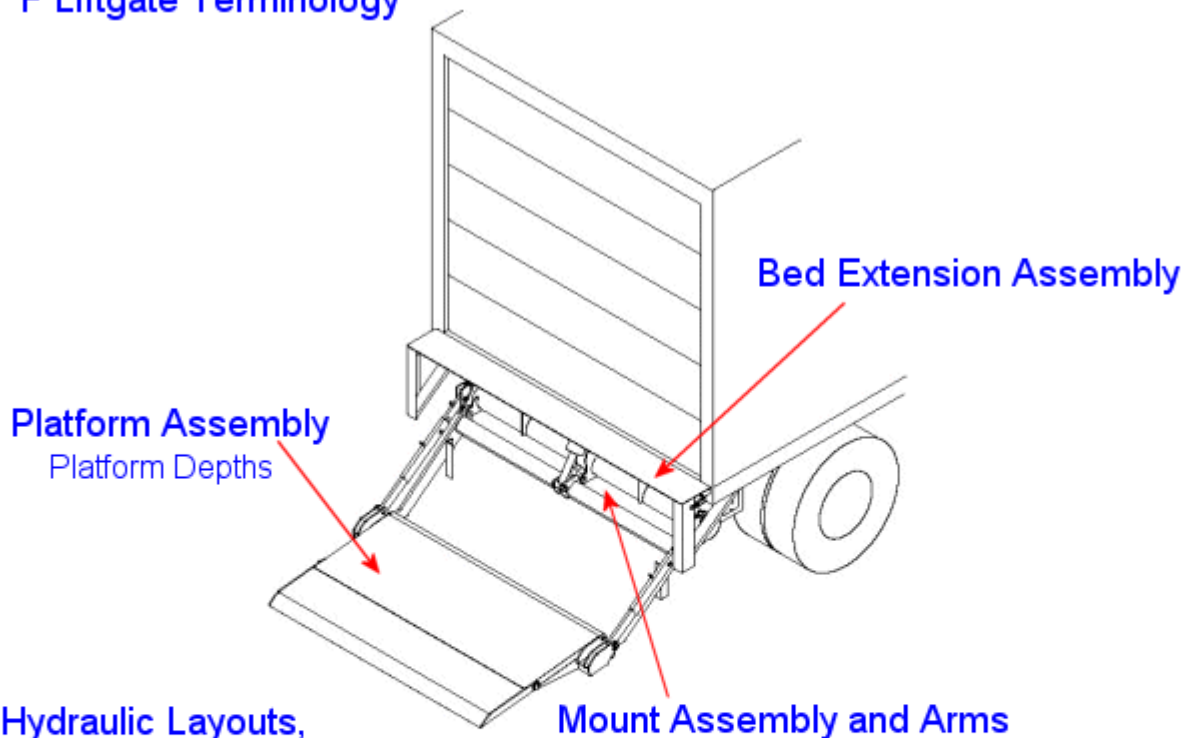


## F-Series / F-RM Series

Click the appropriate link below for the major component of the liftgate for which you are trying to find the correct part. If you are unsure of the name of the part in Waltco terminology, click the "Liftgate Terminology" link and it will take you to a document showing a picture of the liftgate with the common Waltco names for each of the parts.

F-Series /  
F-RM  
Series

### F Liftgate Terminology



### Hydraulic Layouts, Electrical Layouts and Schematics, Pumps, and Cylinders

Prior to 2-94

From 2-94 thru 3-96

From 3-96 thru 2-00

From 2-00 thru 3-03

From 3-03 thru 3-04

From 3-04 thru 7-04

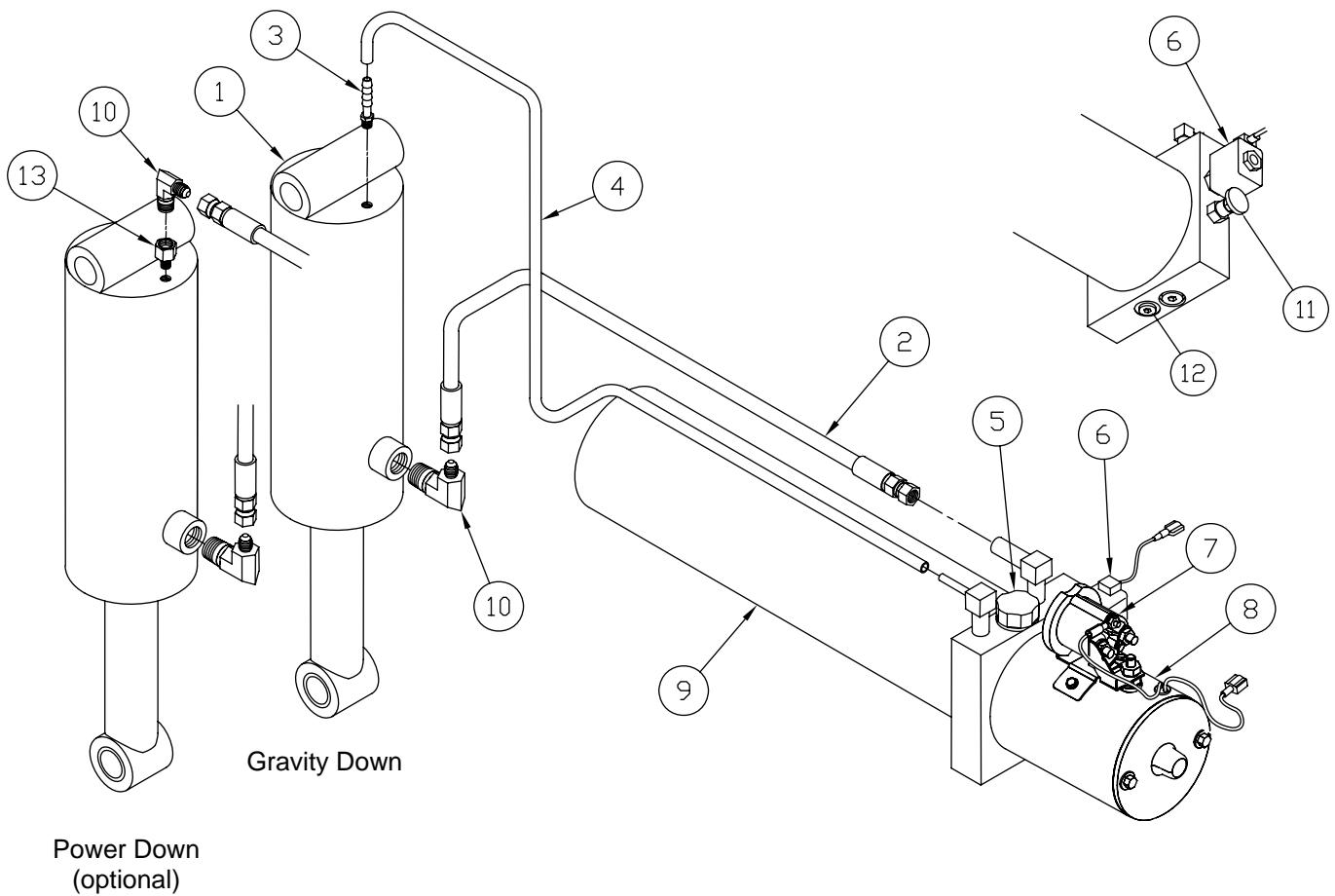
Built From 7-04

### Tech Tips

# F-Series Liftgate Terminology

1. Hydraulic Cylinder
2. Hose Assembly
3. Return Line Barbed Fitting
4. Return Line
5. Breather
6. Dump Solenoid
7. Pump Unit Starter Solenoid

8. Pump Unit Motor
9. Pump Unit Reservoir
10. Hose fitting
11. Flow Control Valve
12. Drain Plug
13. Reducer (Power Down Only)

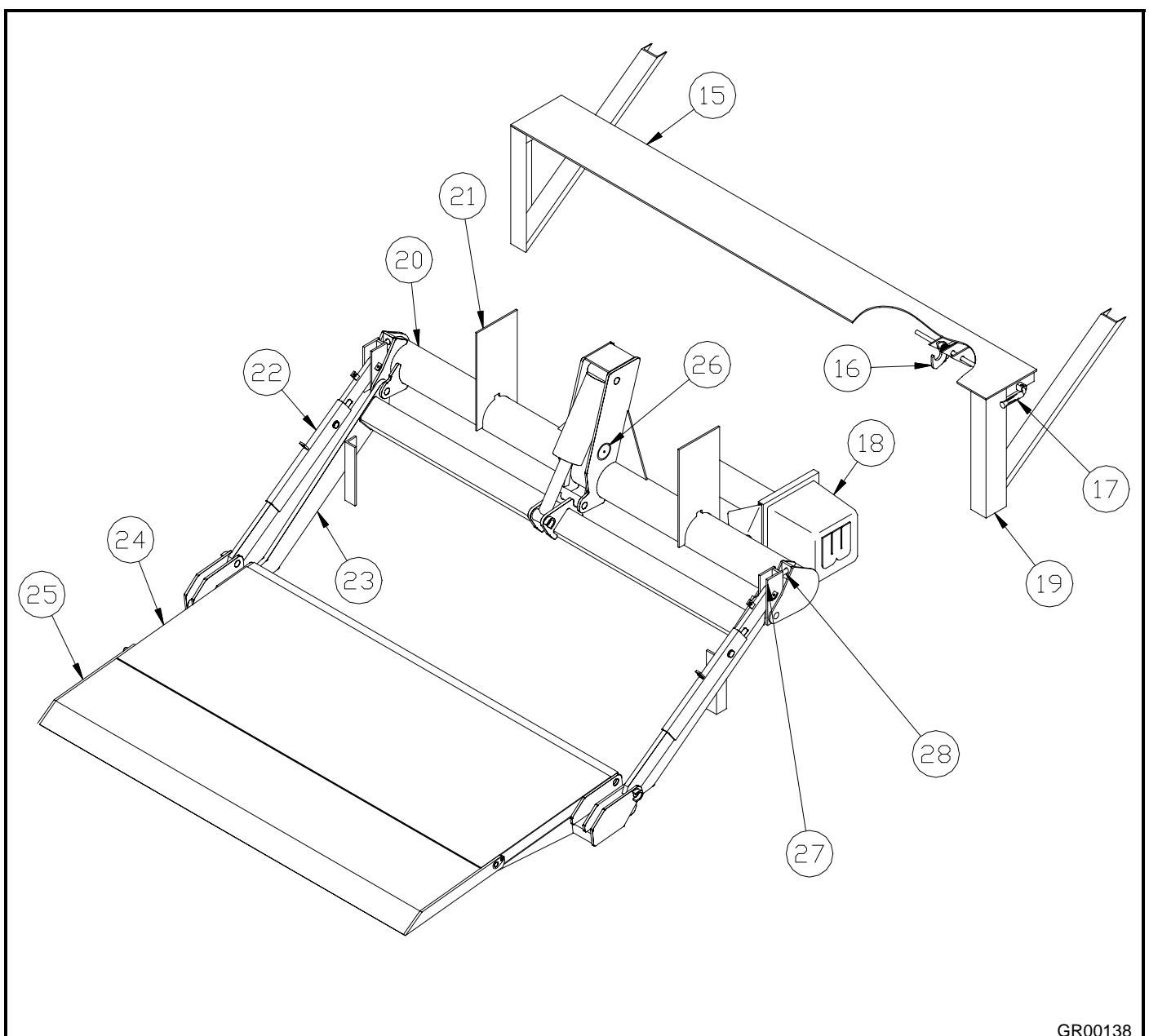


GR02088

# F-Series Liftgate Terminology

- 15. Bed Extension
- 16. Transit Hook
- 17. Transit Latch Handle
- 18. Pump Unit Cover
- 19. Dock Bumper
- 20. Mount Tube Assembly
- 21. Mount Plate

- 22. Parallel Arm
- 23. Lift Arm Assembly
- 24. Platform Deck Assembly
- 25. Platform Extension Assembly
- 26. Specification Tag
- 27. Stop block
- 28. Stop Block Adjustment Bolt



GR00138

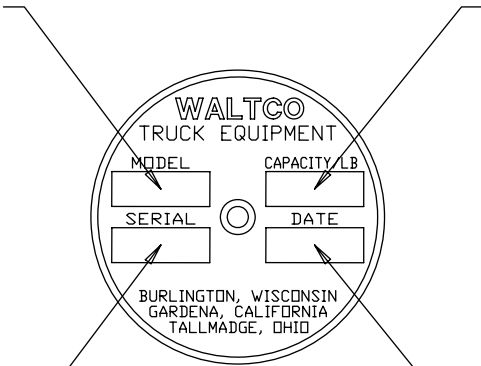
# F-Series Liftgate Terminology

## Explanation of Specification Tag

202R	F-20RM	Flipaway	2500 lb.
202ER	F-20EBRM	Flipaway - Extended Bed	2500 lb.
203R	F-30RM	Flipaway	3000 lb.
204	F-40	Flipaway	4000 lb.

**MODEL NUMBER**

**RATED CAPACITY**  
Based on an evenly distributed load on the platform flat surface.

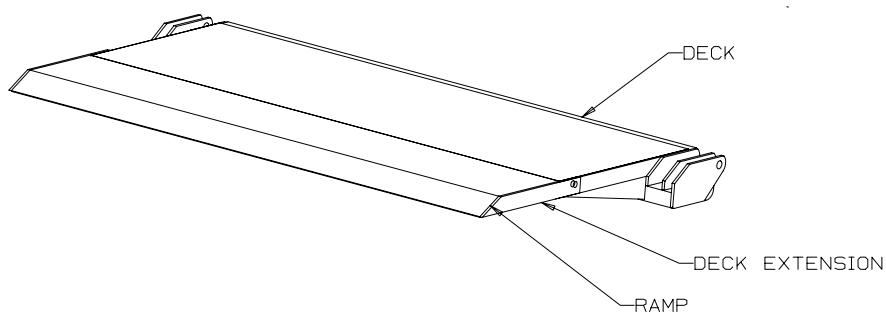


**SERIAL NUMBER**  
of liftgate. To be used when ordering parts or when contacting Waltco for service or warranty questions

**DATE OF MANUFACTURE**  
Month / Year

GR00241

# F-SERIES PLATFORM ASSEMBLY



## Common Features

- Wide arm design
- Waltco nameplate on back channel
- Capacity decal
- Platforms are 72" wide
- Platform depths as indicated below
- Underside structure as indicated below
- Reduced Maintenance design (No grease required) (Released 3-96)
- Reduced Installation Design (No Grease required, Pump attached to Mount Tube as shipped) (Released 1-2000)

	<b>F-20</b>	<b>F-30</b>	<b>F-40</b>
	<p><b>PM-65</b> Built 1978 thru 3-96</p> <p><b>PM-376</b> Built from 3-96 thru 1-00</p> <p><b>PM-522</b> Built from 1-00 thru 3-03</p> <p><b>PM-522A</b> Built from 3-03 thru 5-03</p> <p><b>PM-522B</b> Built from 5-03</p>	<p><b>PM-65</b> Built 1978 thru 3-96</p> <p><b>PM-376</b> Built from 3-96 thru 1-00</p> <p><b>PM-522</b> Built from 1-00 thru 3-03</p> <p><b>PM-522A</b> Built from 3-03 thru 5-03</p> <p><b>PM-522B</b> Built from 5-03</p>	<p><b>PM-65</b> Built thru 3-96</p> <p><b>PM-413</b> Built from 3-96 thru 5-03</p> <p><b>PM-413A</b> Built from 5-03 thru 9-08</p> <p><b>PM-413B</b> Built from 9-08</p>
Capacity decal	2500 Pounds	3000 Pounds	4000 Pounds
Underside structure of deck			

**Notes:**

1. For liftgates Built prior to 1978, contact Technical Support or Engineering for assistance.

80101055 Rev. 04 8/09

[Click here for list of liftgate serial numbers, organized by approximate ship dates.](#)

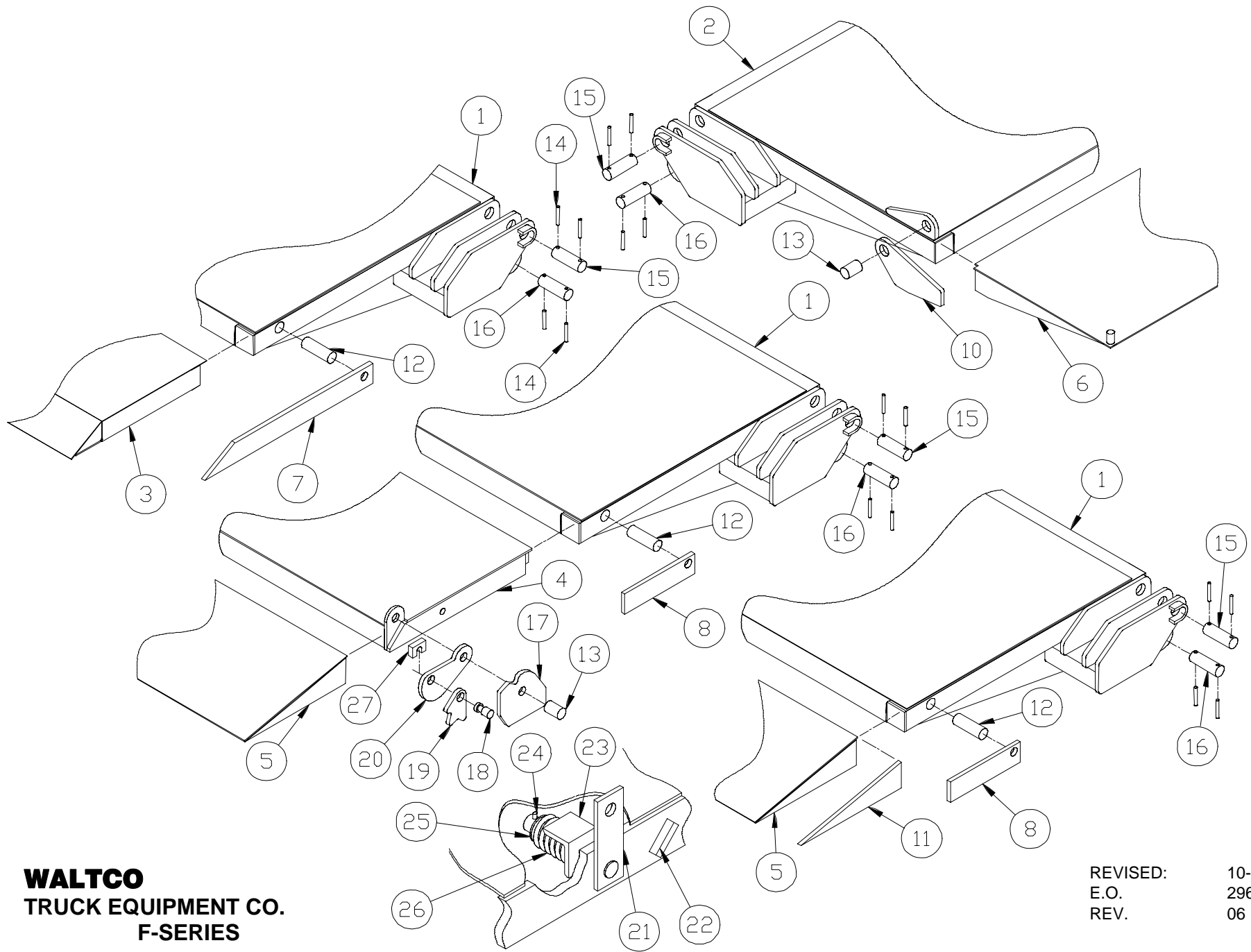
# F-SERIES PLATFORM ASSEMBLY

<b>F-20, F-30 &amp; F-40</b>	
Platform depths	
<b>F-20W and F-30W</b>	
Platform depths (wedge)	

- ◆ 90° ramp lock (SP - spring loaded pin) from 9/94 to 4/5/96 (no PM drawing)
- ◆ 90° ramp lock (rotating lock) effective 4/5/96 (PM-65 dated 3/8/96)

80101055 Rev. 03 8/09

**F-20, 30, 40 PLATFORM ASSEMBLY**  
(Built 1-78 thru 3-96)



**WALTCO**  
TRUCK EQUIPMENT CO.  
F-SERIES

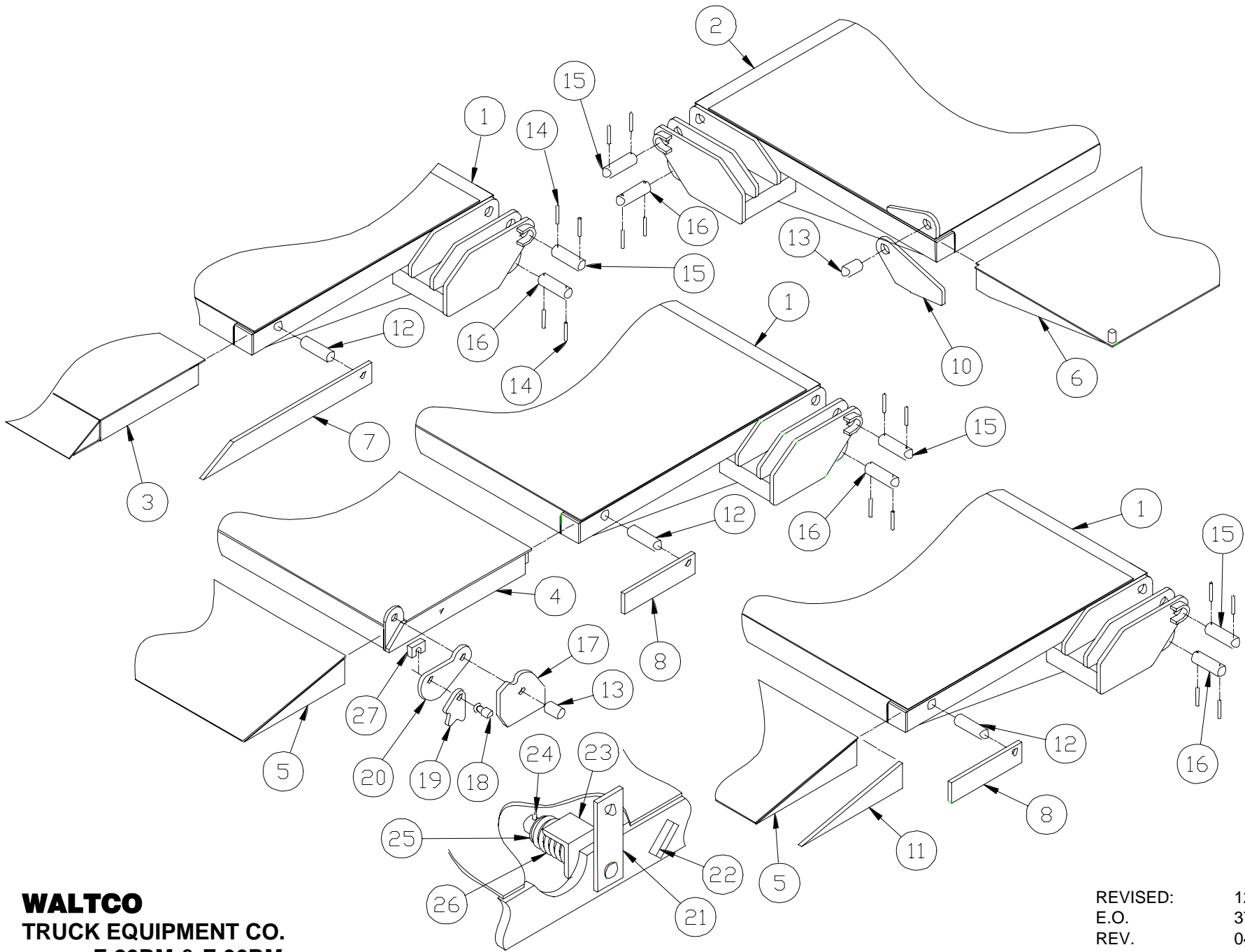
REVISED: 10-11-96  
E.O. 2968  
REV. 06

**PM-65**

ITEM	PART NUMBER	QTY	DESCRIPTION
-	20210034	-	Platform Complete(F-20), 38" x 72" + 4"
-	20210042	-	Platform Complete(F-20), 42" x 72" + 12"
-	20710000	-	Platform Complete(FW-20), 42" x 72"
-	20310034	-	Platform Complete(F-30), 38" x 72" + 4"
-	20310042	-	Platform Complete(F-30), 42" x 72" + 12"
-	20810000	-	Platform Complete(FW-30), 42" x 72"
-	20410034	-	Platform Complete(F-40), 38" x 72" + 4"
-	20410042	-	Platform Complete(F-40), 42" x 72" + 12"
1	20211001	1	Deck Assembly (F-20 Only)
	20311001	1	Deck Assembly (F-30 Only)
	20411001	1	Deck Assembly (F-40 Only)
2	20711000	1	Deck Assembly (F-20 Wedge)
	20811000	1	Deck Assembly (F-30 Wedge)
3	20213001	1	Deck Extension Assembly (F-20 & 30 Only)
	20413001	1	Deck Extension Assembly (F-40 Only)
4	20213003	1	Deck Extension (F-20 & 30 Only)
	20413003	1	Deck Extension (F-40 Only)
	20213002	1	Deck Extension (Butt End)(F-20 & 30 Only)
	20413002	1	Deck Extension (Butt End)(F-40 Only)
5	20214012	1	12" Ramp Assembly
6	20713000	1	Deck Extension Assembly (Wedge)
7	20213401	2	Bar, Deck Extension Side
8	20213701	2	Hinge Bar
9	20214700	2	Ramp Hinge Bar
10	20713700	2	Deck Extension Hinge (Wedge)
11	21214412	2	Bar, 12" Ramp Side
12	20210701	2	Pin
13	22110700	2	Hinge Pin
14	75089541	8	1/4" Dia. x 1-7/8" Coiled Pin
15	20211200	2	Upper Hinge Pin(F-20 & 30 Only)
	20411201	2	Upper Hinge Pin(F-40 Only)
16	20411101	2	Lower Hinge Pin
17	20216400	1	Lock Clevis
18	20216500	1	Retainer Pin
19	20216000	1	Lock
20	20216300	1	Ramp Hinge

ITEM	PART NUMBER	QTY	DESCRIPTION
21	20215500	1	Lock Lever Assembly
22	20215100	2	Stop Bar
23	20215700	1	Clip Angle
24	75084053	1	3/32" Dia. x 1" Cotter Pin
25	75088056	3	1/2" Cut Washer
26	20215400	1	Spring
27	20216600	1	Pin Retainer

**PLATFORM ASSEMBLY, REDUCED MAINTENANCE**  
(Built 3-96 thru 1-00)



**WALTCO**  
TRUCK EQUIPMENT CO.  
F-20RM & F-30RM

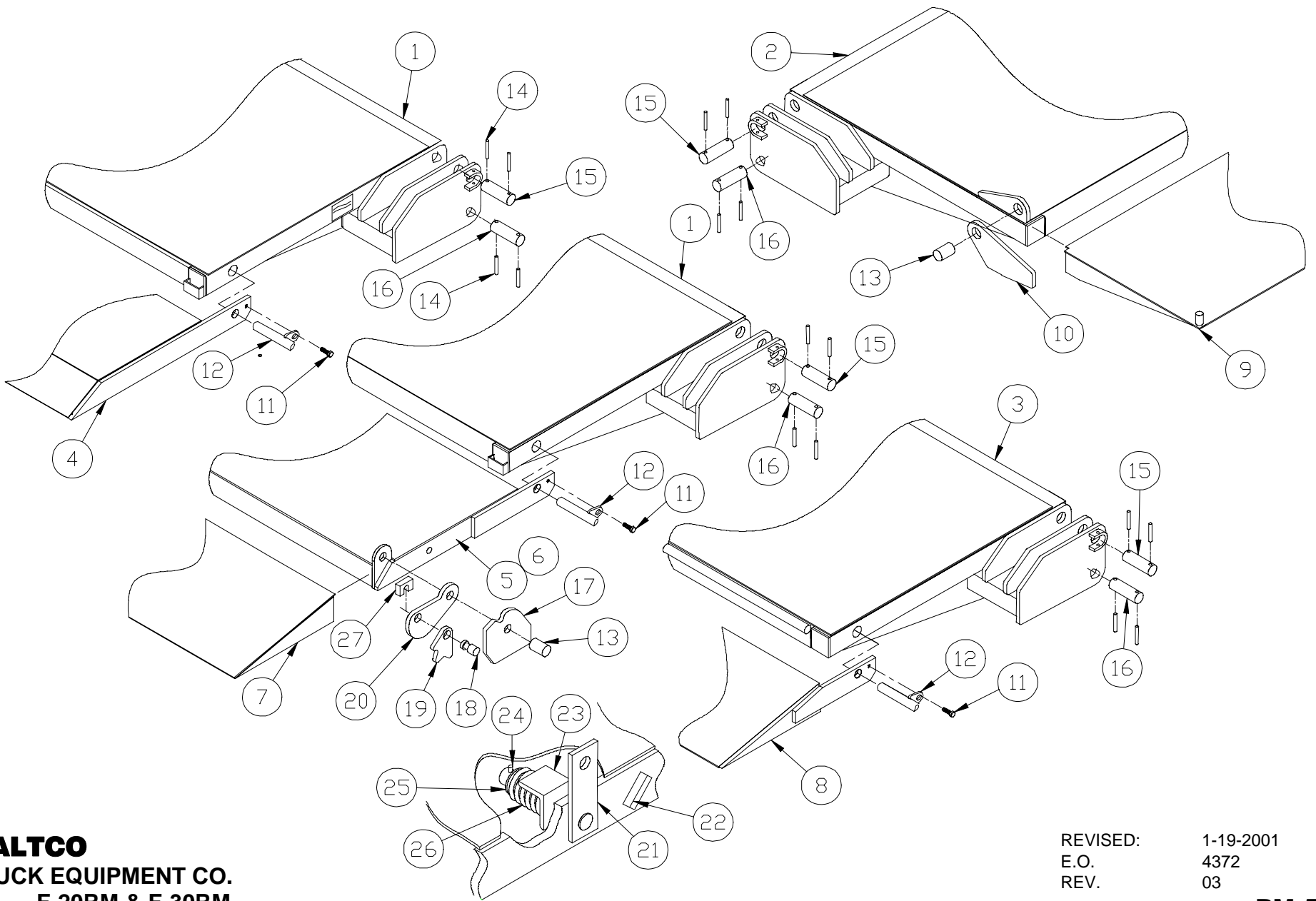
REVISED: 12-18-98  
E.O. 3768  
REV. 04

**PM-376**

ITEM	PART NUMBER	QTY	DESCRIPTION
1	20211001	1	Deck Assembly (F-20 Only)
	20311001		Deck Assembly (F-30 Only)
2	20711000	1	Deck Assembly (F-20 Wedge)
	20811000		Deck Assembly (F-30 Wedge)
3	20213001	1	Deck Extension Assembly
4	20213002	1	Deck Extension (Butt End)
5	20214012	1	Ramp Assembly (8", 12")
6	20713000	1	Deck Extension Assembly (Wedge)
7	20213401	2	Bar Deck Extension Side
8	20213701	2	Hinge Bar
9	20214700	2	Ramp Hinge Bar
10	20713700	2	Deck Extension Hinge
11	21214412	2	Bar 12" Ramp Side
12	20210701	2	Pin
13	22110700	2	Hinge Pin
14	75089541	8	1/4" Dia. x 1-7/8" Coiled Pin
15	20370500	2	Upper Hinge Pin
16	20370100	2	Lower Hinge Pin
17	20216400	1	Lock Clevis
18	20216500	1	Retainer Pin
19	20216000	1	Lock
20	20216300	1	Ramp Hinge
21	20215500	1	Lock Lever Assembly
22	20215100	2	Stop Bar
23	20215700	1	Clip Angle
24	75084053	1	3/32" Dia. x 1" Cotter Pin
25	75088056	3	1/2" Cut Washer
26	20215400	1	Spring
27	20216600	1	Pin Retainer



**PLATFORM ASSEMBLY, REDUCED MAINTENANCE**  
(Built 1-00 thru 3-03)



**WALTCO**  
**TRUCK EQUIPMENT CO.**  
**F-20RM & F-30RM**

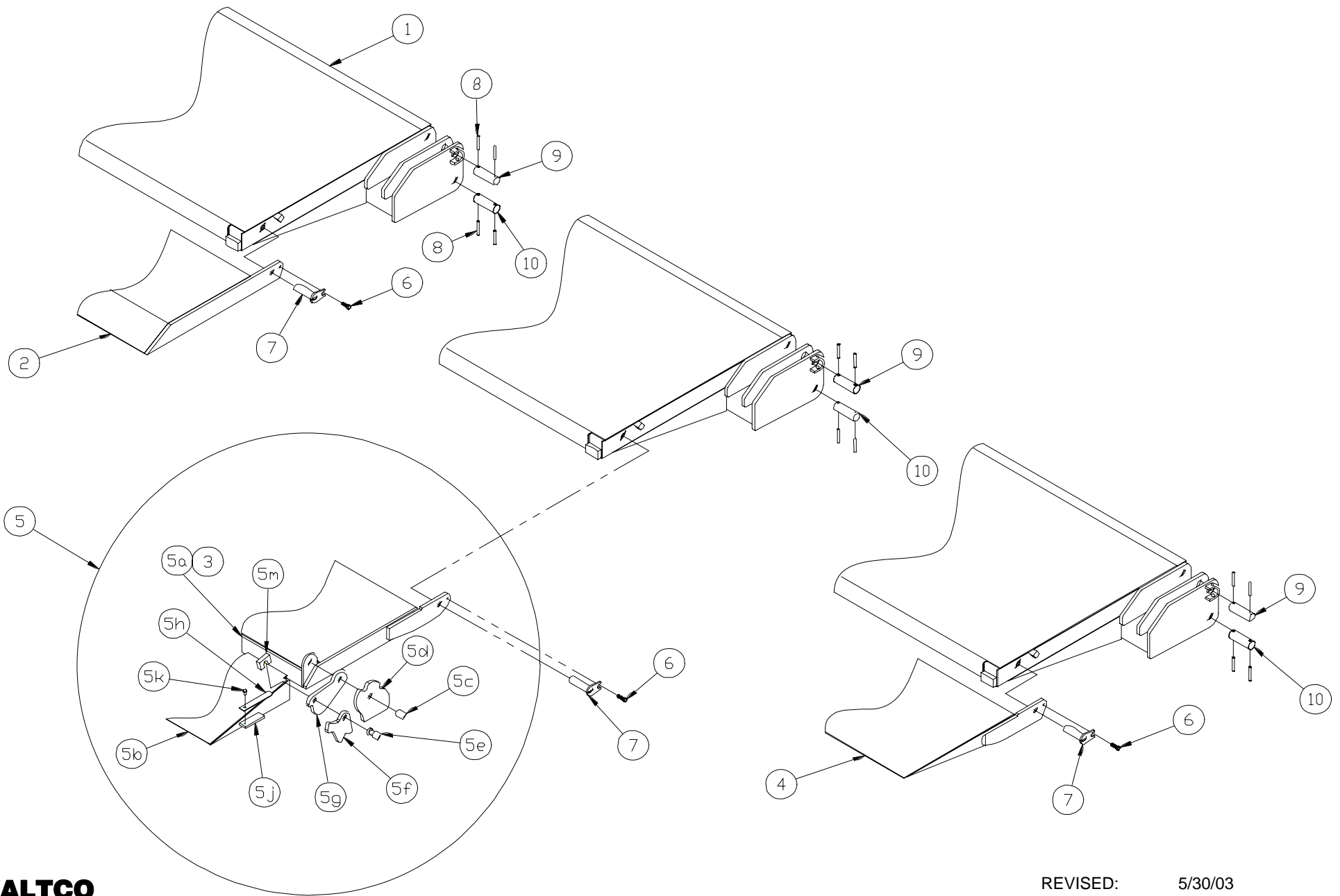
REVISED: 1-19-2001  
E.O. 4372  
REV. 03

**PM-522**

ITEM	PART NUMBER	QTY	DESCRIPTION
1	20211004	1	Deck Assembly (F-20 Only)
	20311004		Deck Assembly (F-30 Only)
2	20711000	1	Deck Assembly (F-20 Wedge)
	20811000		Deck Assembly (F-30 Wedge)
3	20211005	1	Deck Assembly (F-20, 26 x 72 + 12)
	20311005		Deck Assembly (F-30, 26 x 72 + 12)
4	20213004	1	Deck Extension Assembly
5	20213005	1	Deck Extension (Butt End)
6*	20213006	1	Deck Extension with Hinge Ears
7*	20214012	1	Ramp Assembly, 12"
8	20214013	1	Ramp Assembly, 12", for 26 x 72 + 12
9	20713000	1	Deck Extension Assembly (Wedge)
10	20713700	2	Deck Extension Hinge
11	75086053	2	Screw, 3/8-16 x 1/2", Locking
12	20210702	2	Hinge Pin Assembly, Deck Extension
13*	22110700	2	Hinge Pin, Ramp
14	75089541	8	1/4" Dia. x 1-7/8" Coiled Pin
15	20370500	2	Upper Hinge Pin
16	20370100	2	Lower Hinge Pin
17*	20216400	1	Lock Clevis
18*	20216500	1	Retainer Pin
19*	20216000	1	Lock
20*	20216300	1	Ramp Hinge
21*	20215500	1	Lock Lever Assembly
22*	20215100	2	Stop Bar
23*	20215700	1	Clip Angle
24*	75084053	1	3/32" Dia. x 1" Cotter Pin
25*	75088056	3	1/2" Cut Washer
26*	20215400	1	Spring
27*	20216600	1	Pin Retainer

\* Components included in Deck Extension Assembly 20213007

**PLATFORM ASSEMBLY, REDUCED MAINTENANCE**  
(Built 3-03 thru 5-03)



**WALTCO**  
**TRUCK EQUIPMENT CO.**  
**F-20RM & F-30RM**

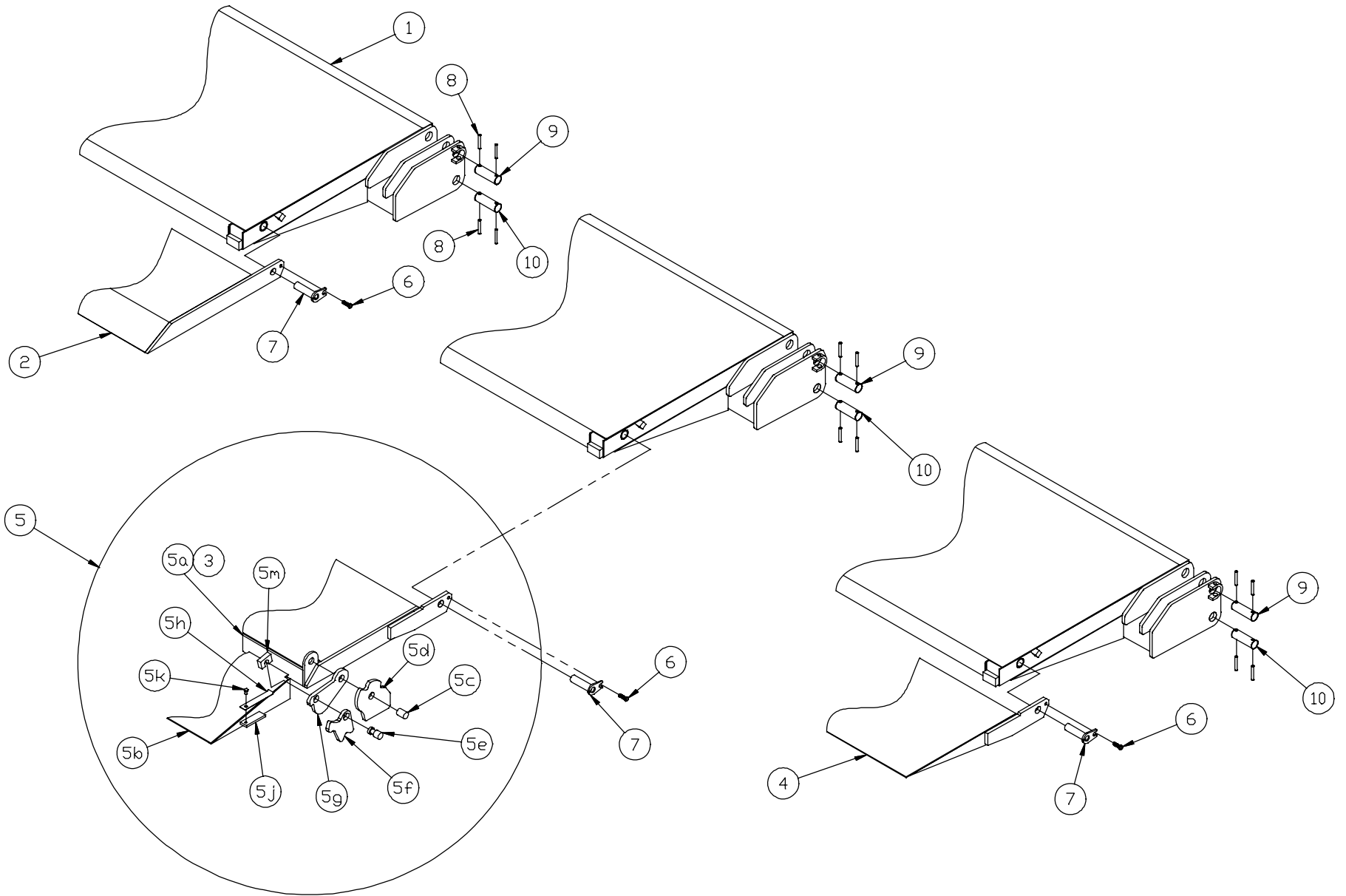
REVISED: 5/30/03  
E.O. 5038  
REV. 03

**PM-522A**

ITEM	PART NUMBER	QTY	DESCRIPTION	PARTS KIT NOTES
1	20211004	1	Deck Assembly (F-20 Only)	C E L
	20311004		Deck Assembly (F-30 Only)	D F M
2	20213004	1	Deck Extension Assembly, 38 x 72 + 4	C D G
3	20213005	1	Deck Extension Assembly 42 x 72 Butt End	J
4	20713001	1	Deck Extension Assembly Wedge	K
5	20213007	1	Deck Extension Assembly, 42 x 72 + 12	BEF
5a	20213006	1	Deck Extension with Hinge Ears	
5b	20214012	1	Ramp Assembly, 12"	
5c	22110700	2	Hinge Pin, Ramp	A
5d	20216401	1	Lock Clevis	A
5e	20216500	1	Retainer Pin	A
5f	20216001	1	Lock	A
5g	20216301	1	Ramp Hinge	A
5h	20216700	1	Spring, Flat	A
5j	20216710	1	Bar, Spring Mount	A
5k	75086862	1	Self Tapping Screw, 1/4"-20 x 3/8"	A
5m	20216600	1	Pin Retainer	A
6	75086053	2	Screw, 3/8-16 x 1/2", Locking	B C D E F G H J K
7	20210704	2	Hinge Pin Assembly, Deck Extension	B C D E F G H J K
8	75089541	8	1/4" Dia. x 1-7/8" Coiled Pin	C D E F L M
9	20370500	2	Upper Hinge Pin	C D E F L M
10	20370100	2	Lower Hinge Pin	C D E F L M

NOTE	REPLACEMENT PARTS KITS	
A	80000746	Ramp Lock Replacement
B	80000787	Deck Extension Replacement, 42 x 72 + 12
C	80000830	Platform Complete, 38 x 72 + 4, F-20RM
D	80000831	Platform Complete, 38 x 72 + 4, F-30RM
E	80000832	Platform Complete, 42 x 72 + 12, F-20RM
F	80000833	Platform Complete, 42 x 72 + 12, F-30RM
G	80000834	Deck Extension Replacement, 38 x 72 + 4
H	80000999	Hinge Pin Replacement
J	80001000	Deck Extension Replacement, 42 x 72 Butt End
K	80001001	Deck Extension Replacement, Wedge
L	80001002	Main Deck Replacement, F-20RM
M	80001003	Main Deck Replacement, F-30RM

**PLATFORM ASSEMBLY**  
(Built from 5-03)



**WALTCO LIFT CORP.**  
**F-20RM & F-30RM**

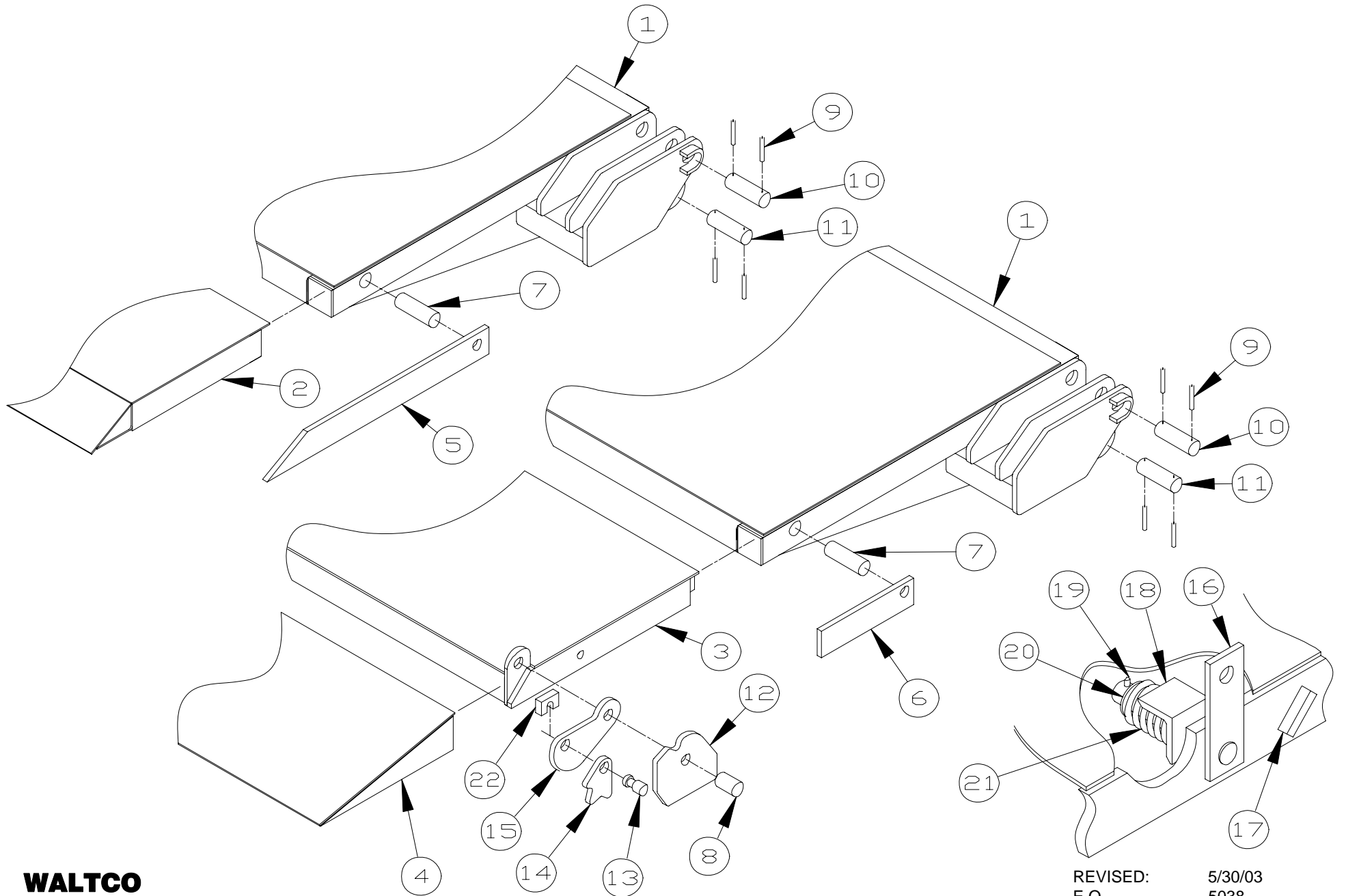
REVISED: 7-1-08  
E.O. 6096  
REV. 02

**PM-522B**

ITEM	PART NUMBER	QTY	DESCRIPTION
1	20211014 <sup>CEL</sup>	1	Deck Assembly (F-20 Only)
	20311014 <sup>DFM</sup>		Deck Assembly (F-30 Only)
2	20213004 <sup>CDG</sup>	1	Deck Extension Assembly, 38 x 72 +4
3	20213005 <sup>J</sup>	1	Deck Extension Assembly, 42 x 72 Butt End
4	20713001 <sup>K</sup>	1	Deck Extension Assembly, Wedge
5	20213007 <sup>BEF</sup>	1	Deck Extension Assembly, 42 x 72 +12
5a	20213006	1	Deck Extension with Hinge Ears
5b	20214012	1	Ramp Assembly, 12"
5c	22110700 <sup>A</sup>	2	Hinge Pin, Ramp
5d	20216401 <sup>A</sup>	1	Lock Clevis
5e	20216500 <sup>A</sup>	1	Retainer Pin
5f	20216001 <sup>A</sup>	1	Lock
5g	20216301 <sup>A</sup>	1	Ramp Hinge
5h	20216700 <sup>A</sup>	1	Spring, Flat
5j	20216710 <sup>A</sup>	1	Bar, Spring Mount
5k	75086862 <sup>A</sup>	1	Self Tapping Screw, 1/4"-20 x 3/8"
5m	20216600 <sup>A</sup>	1	Pin Retainer
6	75086053 <sup>BCDEFGHJ</sup>	2	Screw, 3/8-16 x 1/2", Locking
7	20210704 <sup>BCDEFGHJ</sup>	2	Hinge Pin Assembly, Deck Extension
8	75089541 <sup>CDEFLM</sup>	8	1/4" Dia. x 1-7/8" Coiled Pin
9	20370500 <sup>CDEFLM</sup>	2	Upper Hinge Pin
10	20370100 <sup>CDEFLM</sup>	2	Lower Hinge Pin

- <sup>A</sup> Included in Ramp Lock Replacement Kit 80000746
- <sup>B</sup> Included in 42 X 72 + 12, Deck Extension Replacement Kit 80000787
- <sup>C</sup> Included in F-20RM, 38 X 72 + 4, Complete Platform Kit 80000830
- <sup>D</sup> Included in F-30RM, 38 X 72 + 4, Complete Platform Kit 80000831
- <sup>E</sup> Included in F-20RM, 42 X 72 + 12, Complete Platform Kit 80000832
- <sup>F</sup> Included in F-30RM, 42 X 72 + 12, Complete Platform Kit 80000833
- <sup>G</sup> Included in 38 X 72 + 4, Deck Extension Replacement Kit 80000834
- <sup>H</sup> Included in Hinge Pin Replacement Kit 80000999
- <sup>J</sup> Included in 42 X 72, Butt End, Deck Extension Replacement Kit 80001000
- <sup>K</sup> Included in Wedge, Deck Extension Replacement Kit 80001001
- <sup>L</sup> Included in F-20RM, Main, Deck Replacement Kit 80001002
- <sup>M</sup> Included in F-30RM, Main, Deck Replacement Kit 80001003

**F-40 PLATFORM ASSEMBLY**  
(Built 3-96 thru 5-03)



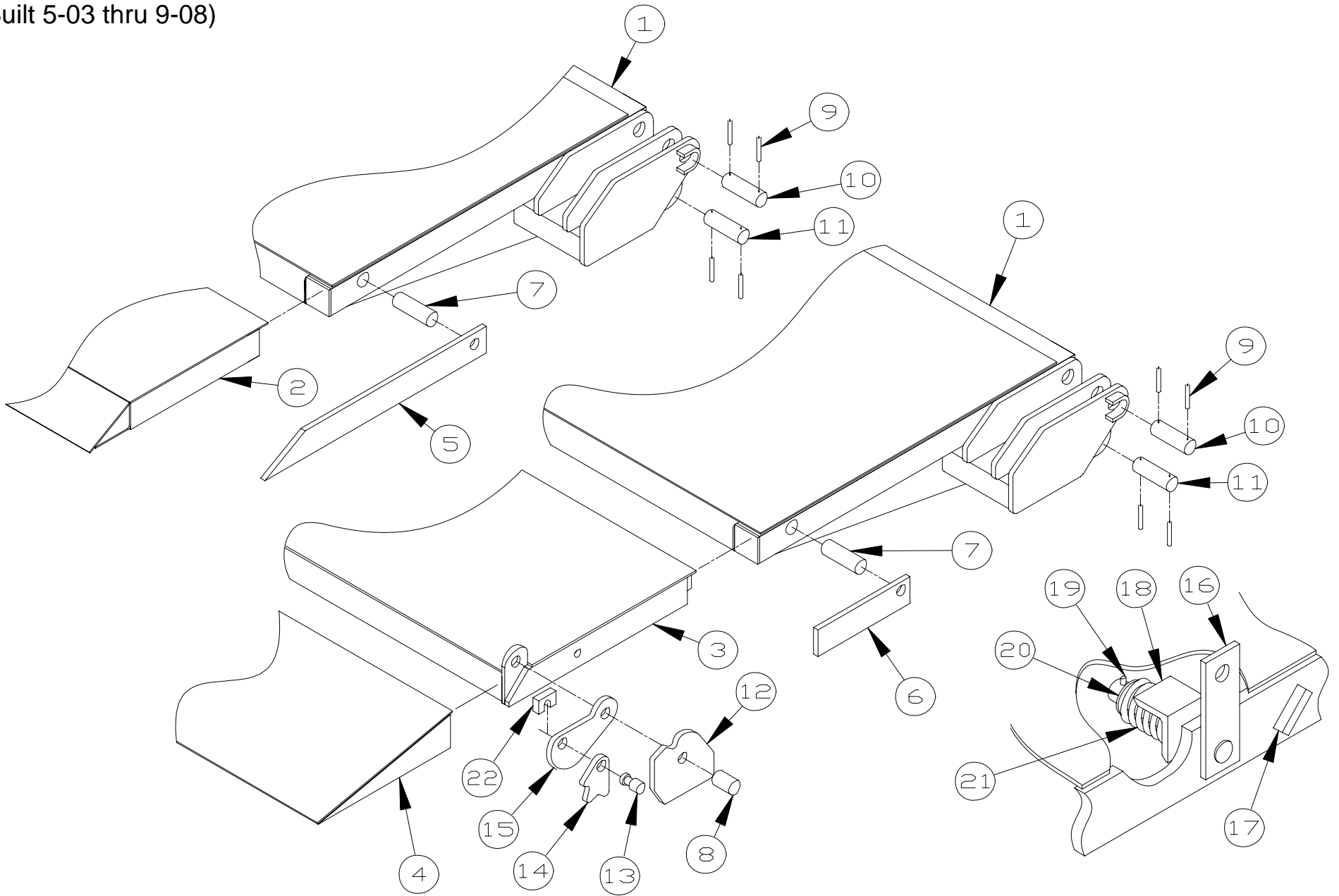
**WALTCO**  
TRUCK EQUIPMENT CO.  
F-40

REVISED: 5/30/03  
E.O. 5038  
REV. 03

**PM-413**

ITEM	PART NUMBER	QTY	DESCRIPTION
----	20410034	----	Platform Complete 38" x 72" + 4"
----	20410042	----	Platform Complete 42" x 72" + 12"
1	20411001		Deck Assembly
2	20413001		Deck Extension Assembly
3	20413003	1	Deck Extension
	20413002		<b>Deck Extension (Butt End)</b>
4	20214012	1	12" Ramp Assembly
5	20213401	2	Bar Deck Extension Side
6	20213701	2	Hinge Bar
7	20210701	2	Pin
8	22110700	2	Hinge Pin
9	75089541	8	1/4" Dia. x 1-7/8" Coiled Pin
10	20411201	2	Upper Hinge Pin
11	20411101	2	Lower Hinge Pin
12	20216400	1	Lock Clevis
13	20216500	1	Retainer Pin
14	20216000	1	Lock
15	20216300	1	Ramp Hinge
16	20215500	1	Lock Lever Assembly
17	20215100	2	Stop Bar
18	20215700	1	Clip Angle
19	75084053	1	3/32" Dia. x 1" Cotter Pin
20	75088056	3	1/2" Cut Washer
21	20215400	1	Spring
22	20216600	1	Pin Retainer

**F-40 PLATFORM ASSEMBLY**  
(Built 5-03 thru 9-08)



**WALTCO**  
**TRUCK EQUIPMENT CO.**  
**F-40**

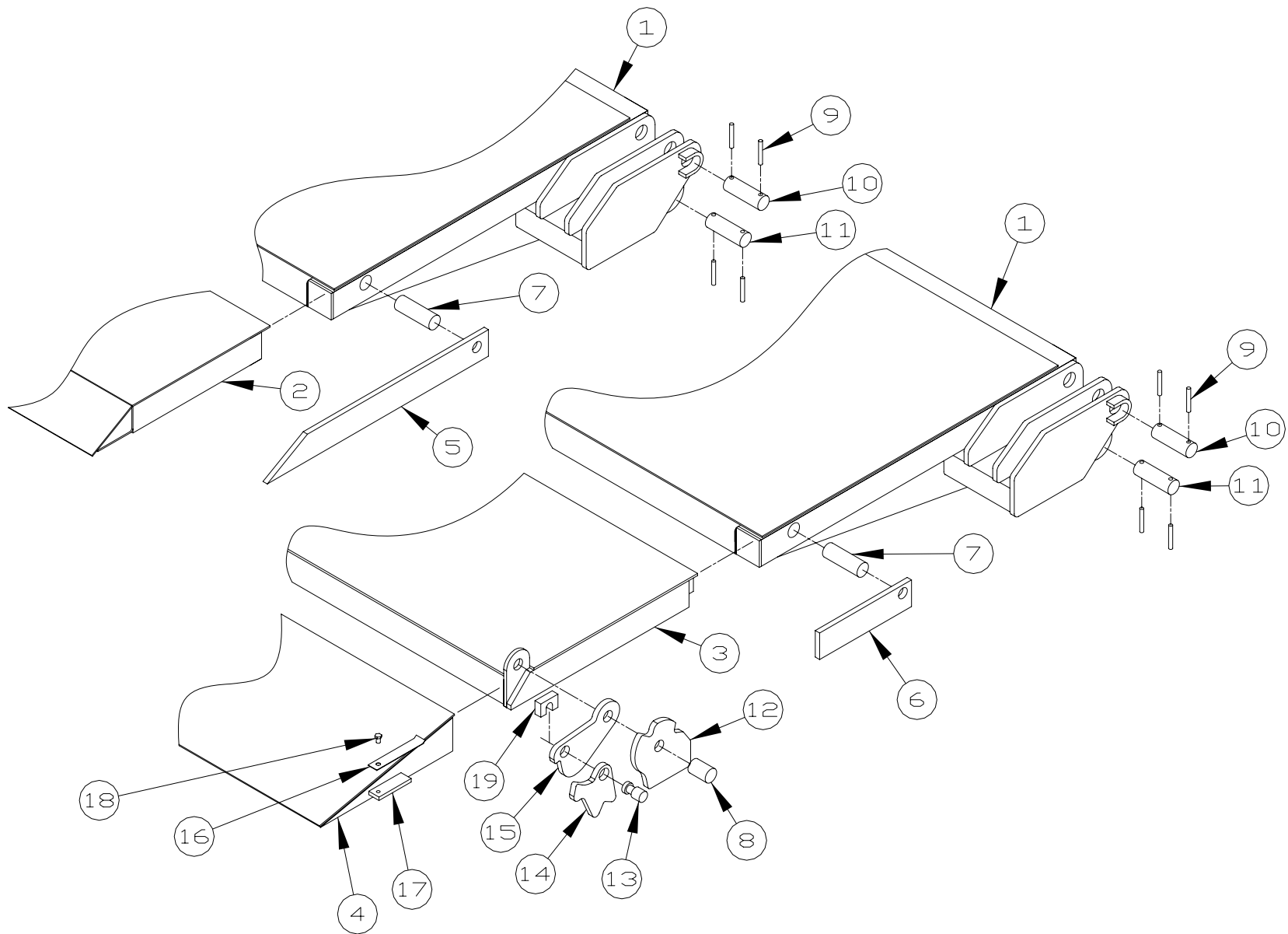
REVISED: 9-1-04  
E.O. 5221F  
REV. 02

**PM-413A**

ITEM	PART NUMBER	QTY	DESCRIPTION
----	20410134	----	Platform Complete 38" x 72" + 4"
----	20410142	----	Platform Complete 42" x 72" + 12"
1	20411011		Deck Assembly
2	20413001		Deck Extension Assembly
3	20413003	1	Deck Extension
	20413002		Deck Extension (Butt End)
4	20214012	1	12" Ramp Assembly
5	20413401	2	Bar Deck Extension Side
6	20213701	2	Hinge Bar
7	20210701	2	Pin
8	22110700	2	Hinge Pin
9	75089541*	8	1/4" Dia. x 1-7/8" Coiled Pin
10	20411201*	2	Upper Hinge Pin
11	20411101*	2	Lower Hinge Pin
12	20216400	1	Lock Clevis
13	20216500	1	Retainer Pin
14	20216000	1	Lock
15	20216300	1	Ramp Hinge
16	20215500	1	Lock Lever Assembly
17	20215100	2	Stop Bar
18	20215700	1	Clip Angle
19	75084053	1	3/32" Dia. x 1" Cotter Pin
20	75088056	3	1/2" Cut Washer
21	20215400	1	Spring
22	20216600	1	Pin Retainer

\*Included in Pin Replacement Kit 80003320

**F-40 PLATFORM ASSEMBLY**  
(Built from 9-08)



**WALTCO** LIFT CORP.  
F-40

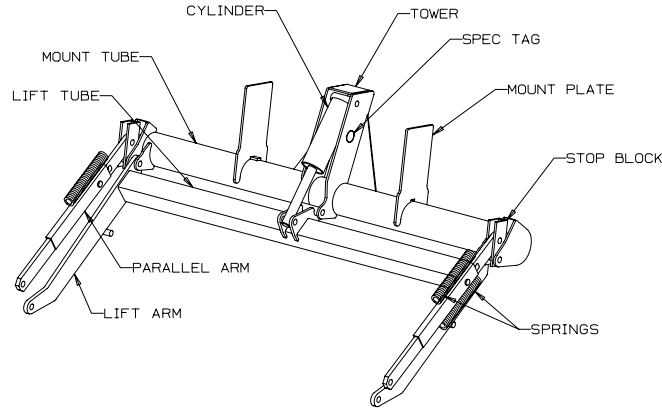
REVISED: 9/19/08  
REVISED: 9-19-08  
E.O. 6110B  
REV. 01

**PM-413B**

ITEM	PART NUMBER	QTY	DESCRIPTION
----	20410134	----	Platform Complete 38" x 72" + 4"
----	20410142	----	Platform Complete 42" x 72" + 12"
1	20411011		Deck Assembly
2	20413001		Deck Extension Assembly
3	20413003	1	Deck Extension
	20413002		Deck Extension (Butt End)
4	20214012	1	12" Ramp Assembly
5	20413401	2	Bar Deck Extension Side
6	20213701	2	Hinge Bar
7	20210701	2	Pin
8	22110700	1	Hinge Pin
9	75089541*	8	1/4" Dia. x 1-7/8" Coiled Pin
10	20411201*	2	Upper Hinge Pin
11	20411101*	2	Lower Hinge Pin
12	20216401	1	Lock Clevis
13	20216500	1	Retainer Pin
14	20216001	1	Lock
15	20216301	1	Ramp Hinge
16	20216700	1	Spring, Flat
17	20216710	1	Bar, Spring Mount
18	75086862	1	1/4-20 x 3/8 Self-Tap Screw
19	20216600	1	Pin Retainer

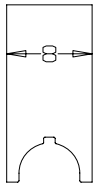
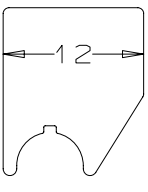
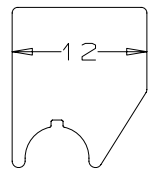
\*Included in Pin Replacement Kit 80003320

# F-SERIES MOUNT ASSEMBLY



## Common Features

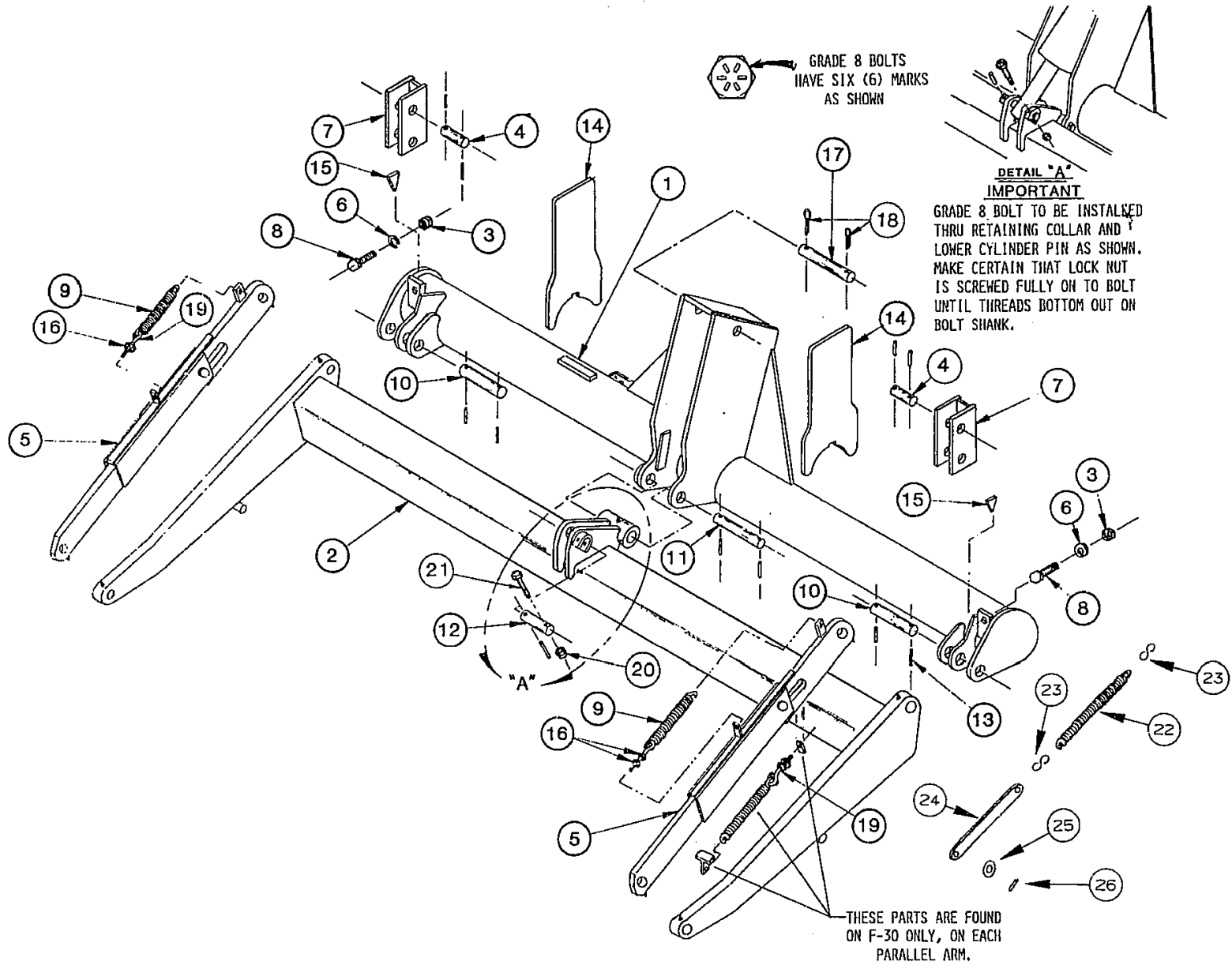
- Wide arm design
- Cylinder in tower
- Spec tag on cylinder tower
- Round mount tube
- Square lift tube
- Stop block with bolt adjustment
- Reduced Maintenance design (No grease required) (Released 3-96)
- Reduced Installation Design (No Grease required, Pump attached to Mount Tube as shipped) (Released 1-2000)

	<b>F-20</b>	<b>F-30</b>	<b>F-40</b>
	<b>PM-16</b> Built from 1978 thru 3-96 <b>PM-387</b> Built from 3-96 thru 1-00 <b>PM-523</b> Built from 1-00 thru 3-03 <b>PM-523A</b> Built from 3-03 thru 5-03 <b>PM-523B</b> Built from 5-03	<b>PM-16</b> Built from 1978 thru 3-96 <b>PM-387</b> Built from 3-96 thru 1-00 <b>PM-523</b> Built from 1-00 thru 3-03 <b>PM-523A</b> Built from 3-03 thru 5-03 <b>PM-523B</b> Built from 5-03	<b>PM-23</b> Built from 1978
Parallel arm	One upper spring	1 or 2 springs	Two springs
Parallel arm	3/4" thick	3/4" thick	1" thick
Lift arm	3/4" thick	1" thick	1" thick
Lift arm center to center dimension.	34" standard 40" extended bed	34" standard N/A extended bed	34" standard 40" extended bed
Mount plate			
Cylinders	One	One	Two

80101050 Rev. 03 10/03

[Click here for list of liftgate serial numbers, organized by approximate ship dates.](#)

**F-20, F-30 MOUNT FRAME ASSEMBLY**  
(Built 1-78 thru 3-96)



**WALTCO**  
TRUCK EQUIPMENT CO.  
F-20, F-30

REVISED: 11-8-96  
E.O. 2998  
REV. 04

**PM-16**

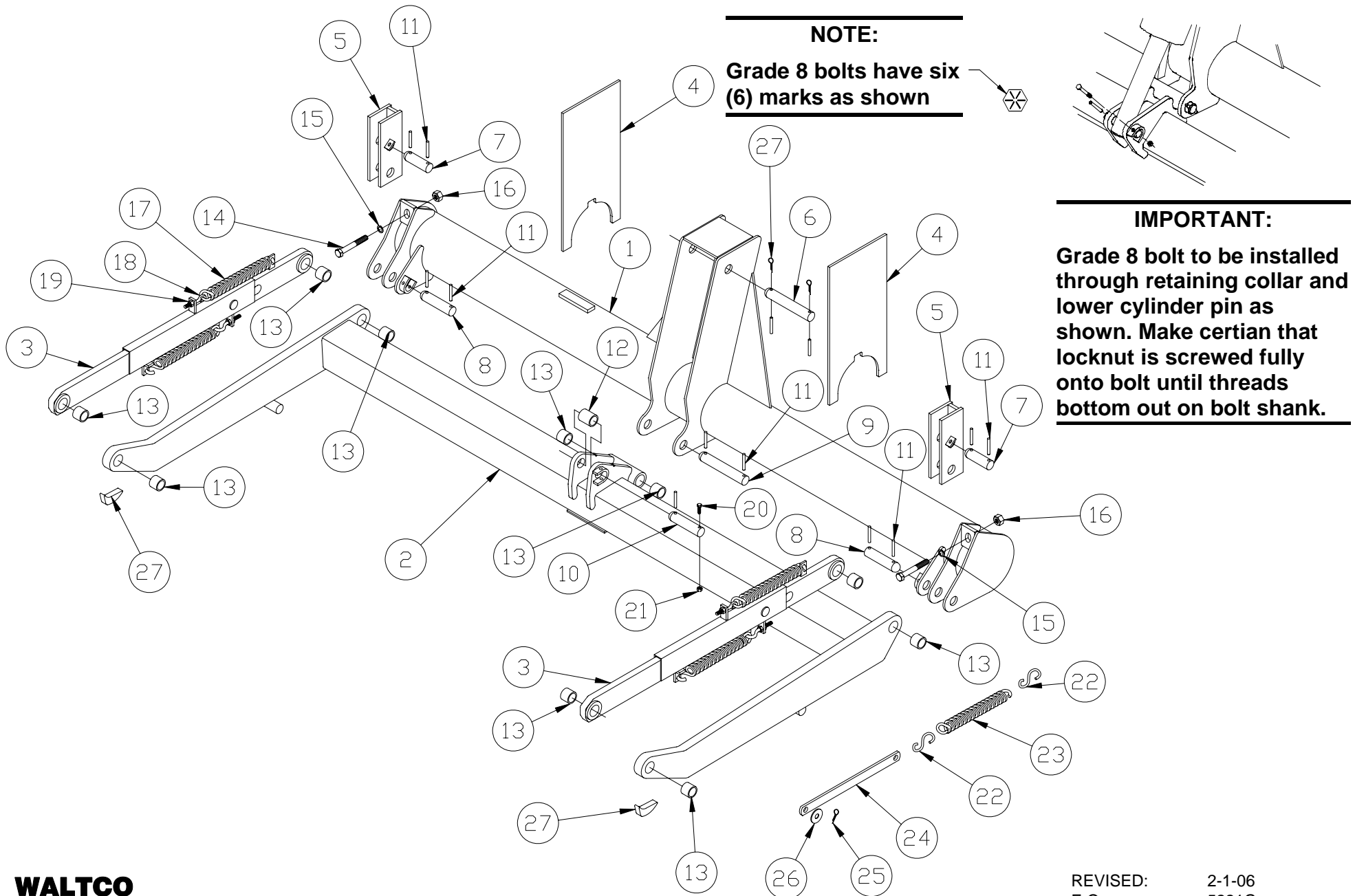
ITEM	PART NUMBER	QTY	DESCRIPTION
1	20220001	1	Mount Frame
2	20230001	1	Lift Arm Assembly (F-20 Only)
	20330001	1	Lift Arm Assembly (F-30 Only)
	20730000	1	Lift Arm Assembly (F-20 Wedge)
	20830000	1	Lift Arm Assembly (F-30 Wedge)
3	75085014	2	3/4"-10 Hex Nut
4	20211200◆	2	Stop Block Pin
5	20250001	2	Parallel Arm Complete (F-20 Only)
	20350001	2	Parallel Arm Complete (F-30 Only)
6	75088087	2	Lock Washer
7	20251003	2	Stop Block Assembly (Half Dip)
	21251003	1	Stop Block Assembly, Curb Side (Level Ride)
	21251053	1	Stop Block Assembly, Street Side (Level Ride)
	20751000*	1	Stop Block Assembly, Curb Side (Full Dip)
	20751050*	1	Stop Block Assembly, Street Side (Full Dip)
8	75086187	2	3/4"-10 x 4" Hex Screw
9	20270200■	4	Extension Spring (2 on F-20)
10	20270700◆	2	Main Pin
11	20270801◆	1	Bearing Pin
12	20271501◆	1	Lower Cylinder Pin
13	75089541◆	11	1/4" Dia. x 1-7/8" Coiled Pin
14	25170100	2	Mount Plate (F-20 Only)
	25270100	2	Mount Plate (F-30 Only)
15	25176100	2	Upstop
16	75085003■	4	5/16"-18 Hex Nut (2 on F-20)
17	10170500◆	1	Upper Cylinder Pin
18	75084055◆	2	5/32" Dia. x 2-1/2" Cotter Pin
19	20252100■	4	5/16"-18 x 3-1/2" Eye Bolt w/ Nut (2 on F-20)
20	75085175◆	1	1/4"-20 Self Locking Nut
21	75086215◆	1	1/4"-20 x 2-1/2" Hex Bolt (Grade 8)
22	24271000*	2	Extension Spring
23	75089360*	4	"S" Hook
24	21270400*	2	Equalizer Bar
25	75088056*	2	1/2" ID Washer

ITEM	PART NUMBER	QTY	DESCRIPTION
26	75084053*	2	Cotter Pin

- \* Used only with Wedge Platforms
- ◆ Included with Pin Kit no. 80003310
- Included in Spring Replacement Kit 80000422



**MOUNT FRAME ASSEMBLY**  
(Built 3-96 thru 1-00)



**WALTCO**  
TRUCK EQUIPMENT CO.  
F-20RM & F-30RM

REVISED: 2-1-06  
E.O. 5221G  
REV. 06

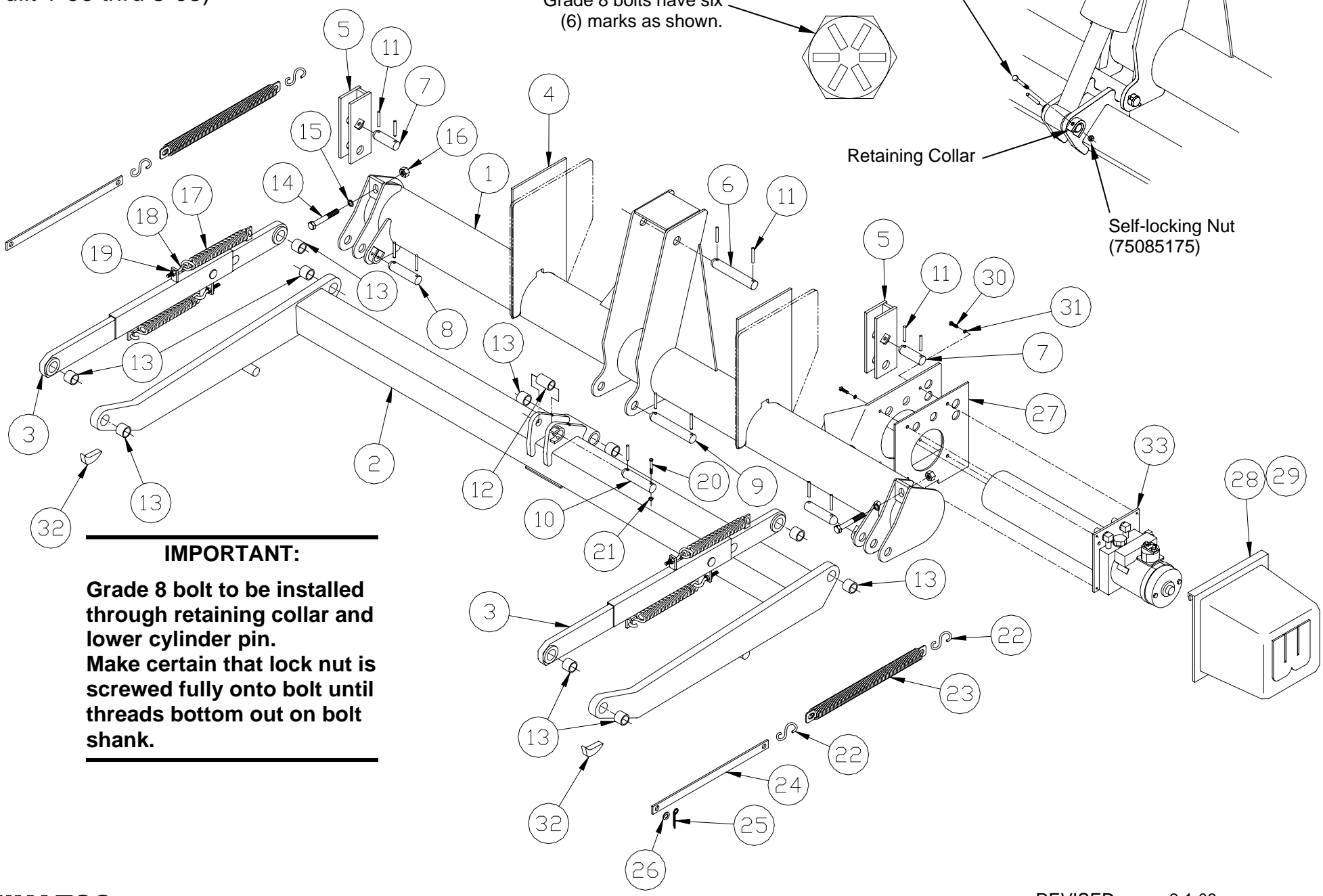
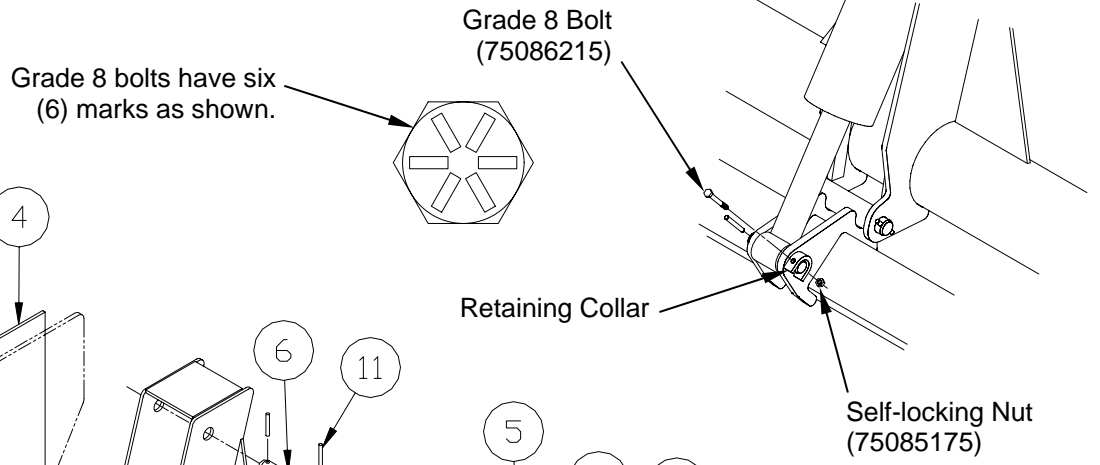
**PM-387**

ITEM	PART NUMBER	QTY	DESCRIPTION
1	20220003	1	Mount Frame
2	20330003	1	Lift Arm Assembly
	20330004		Lift Arm Assy (Extended bed only)
	20830003		Lift Arm Assy (Wedge only)
3	20250003	2	Parallel Arm (F-20RM)
	20350003		Parallel Arm (F-30RM)
	20250004		Parallel Arm (Extended bed only)
4	25170100	2	Mount Plate (F-20RM)
	25270100		Mount Plate (F-30RM)
5	20251003	2	Stop Block Assembly (Half Dip)
	21251003	1	Stop Block Assembly (Level Ride) (C.S.)
	21251053	1	Stop Block Assembly (Level Ride) (D.S.)
	20751000	1	Stop Block Assembly (C.S.) (Full Dip)*
	20751050	1	Stop Block Assembly (D.S.) (Full Dip)*
6	20370300	1	Upper Cylinder Pin
7	20370500	2	Stop Block Pin
8	20370400	2	Main Pin
9	20370300 <sup>A</sup>	1	Bearing Pin
10	20271501 <sup>A</sup>	1	Lower Cylinder Pin
11	75089541 <sup>A</sup>	13	1/4" Dia. x 1-7/8" Coiled Pin
12	10010133	1	Bearing, 7/8" I.D. x 1-3/4" Lg.
13	85803391	10	Bearing, 1" I.D. x 1" Lg.
14	75086187	2	3/4"-10 x 4" Hex Head Screw
15	75088087	2	Lock Washer
16	75085014	2	3/4"-10 Hex Nut
17	20270400 <sup>B</sup>	2	Extension Spring
18	20252200 <sup>B</sup>	2	5/16"-18 x 3-1/2" Eye Bolt W/Nut
19	75085003 <sup>B</sup>	4	5/16"-18 Hex Nut
20	75086215 <sup>A</sup>	1	1/4"-20 x 2-1/2" Bolt (Grade 8)
21	75085175 <sup>A</sup>	1	1/4"-20 Self Locking Nut
22	75089360	4	"S" Hook *
23	24271000	2	Extension Spring *
24	21270400	2	Equalizer Bar *
25	75084053	2	Cotter Pin *
26	75088056	2	1/2" I.D. Washer *
27	20230200	2	Power Down Stop (Used on Power Down Liftgates Only)

<sup>A</sup> Included in Cylinder Replacement Kit 20295401.  
<sup>B</sup> Included in Spring Replacement Kit 80000422.

\* Use Only With Wedge Platforms

**MOUNT FRAME ASSEMBLY**  
(Built 1-00 thru 3-03)



**IMPORTANT:**  
Grade 8 bolt to be installed through retaining collar and lower cylinder pin. Make certain that lock nut is screwed fully onto bolt until threads bottom out on bolt shank.

**WALTCO**  
TRUCK EQUIPMENT CO.  
F-20RM & F-30RM

REVISED: 2-1-06  
E.O. 5221G  
REV. 04

**PM-523**

ITEM	PART NUMBER	QTY	DESCRIPTION
1	20220020	1	Mount Frame
2	20330003	1	Lift Arm Assembly
	20330004		Lift Arm Assembly (Extended bed only)
	20830003		Lift Arm Assembly (Wedge only) *
3	20250003	2	Parallel Arm (F-20RM)
	20350003		Parallel Arm (F-30RM)
	20250004		Parallel Arm (Extended bed only)
4	25170100	2	Mount Plate (F-20RM)
	25270100		Mount Plate (F-30RM)
	20251003 <sup>C</sup>		Stop Block Assembly (Half Dip)
	21251003 <sup>D</sup>		Stop Block Assembly (Level Ride) (C.S.)
	21251053 <sup>D</sup>		Stop Block Assembly (Level Ride) (D.S.)
5	20751000	1	Stop Block Assembly (Full Dip) (C.S.) *
	20751050		Stop Block Assembly (Full Dip) (D.S.) *
6	20370300 <sup>A F</sup>	1	Upper Cylinder Pin
7	20370500 <sup>A</sup>	2	Stop Block Pin
8	20370400 <sup>A</sup>	2	Main Pin
9	20370300 <sup>A</sup>	1	Bearing Pin
10	20271501 <sup>A F</sup>	1	Lower Cylinder Pin
11	75089541 <sup>A B F</sup>	13	1/4" Dia. x 1-7/8" Coiled Pin
12	10010133 <sup>B</sup>	1	Bearing 7/8" I.D. x 1-3/4" Lg.
13	85803391 <sup>B</sup>	10	Bearing 1" I.D. x 1" Lg.
14	75086187 <sup>C D</sup>	2	3/4"-10 x 4" Hex Head Screw
			Lock Washer
16	75085016 <sup>C D</sup>	2	3/4"-10 Hex Nut
			For F-20RM
17	20270400 <sup>G</sup>	2	Extension Spring
			4
18	20252200 <sup>G</sup>	2	5/16"-18 x 3-1/2" Eye Bolt W/Nut
19	75085003 <sup>G</sup>	4	5/16"-18 Hex Nut
20	75086215 <sup>A B F</sup>	1	1/4"-20 x 2-1/2" Bolt (Grade 8)
21	75085175 <sup>A B F</sup>	1	1/4"-20 Self Locking Nut
22	75089360 <sup>E</sup>	4	"S" Hook *
23	24271000 <sup>E</sup>	2	Extension Spring *
24	21270400 <sup>E</sup>	2	Equalizer Bar *
25	75084053 <sup>E</sup>	2	Cotter Pin *
26	75088056 <sup>E</sup>	2	1/2" I.D. Washer *
27	10090410	1	Pump Cover Gasket
28	10090400	1	Pump Cover (with latch)

ITEM	PART NUMBER	QTY	DESCRIPTION
29	10090420	1	Cover Latch
30	75086212	4	1/4"-20 x 1-1/4" lg. Bolt
31	75088079	4	1/4" Lockwasher
32	20230200	2	Power Down Stops (Used on Power Down Liftgates Only)
33	See individual Parts Manual Sheets for Power Unit Information.		

\* Use only with Wedge Platforms.

<sup>A</sup> Included in Pin Replacement Kit 80000736.

<sup>B</sup> Included in Bearing Replacement Kit 80000735.

<sup>C</sup> Included in Stop Block Replacement Kit 80000929.

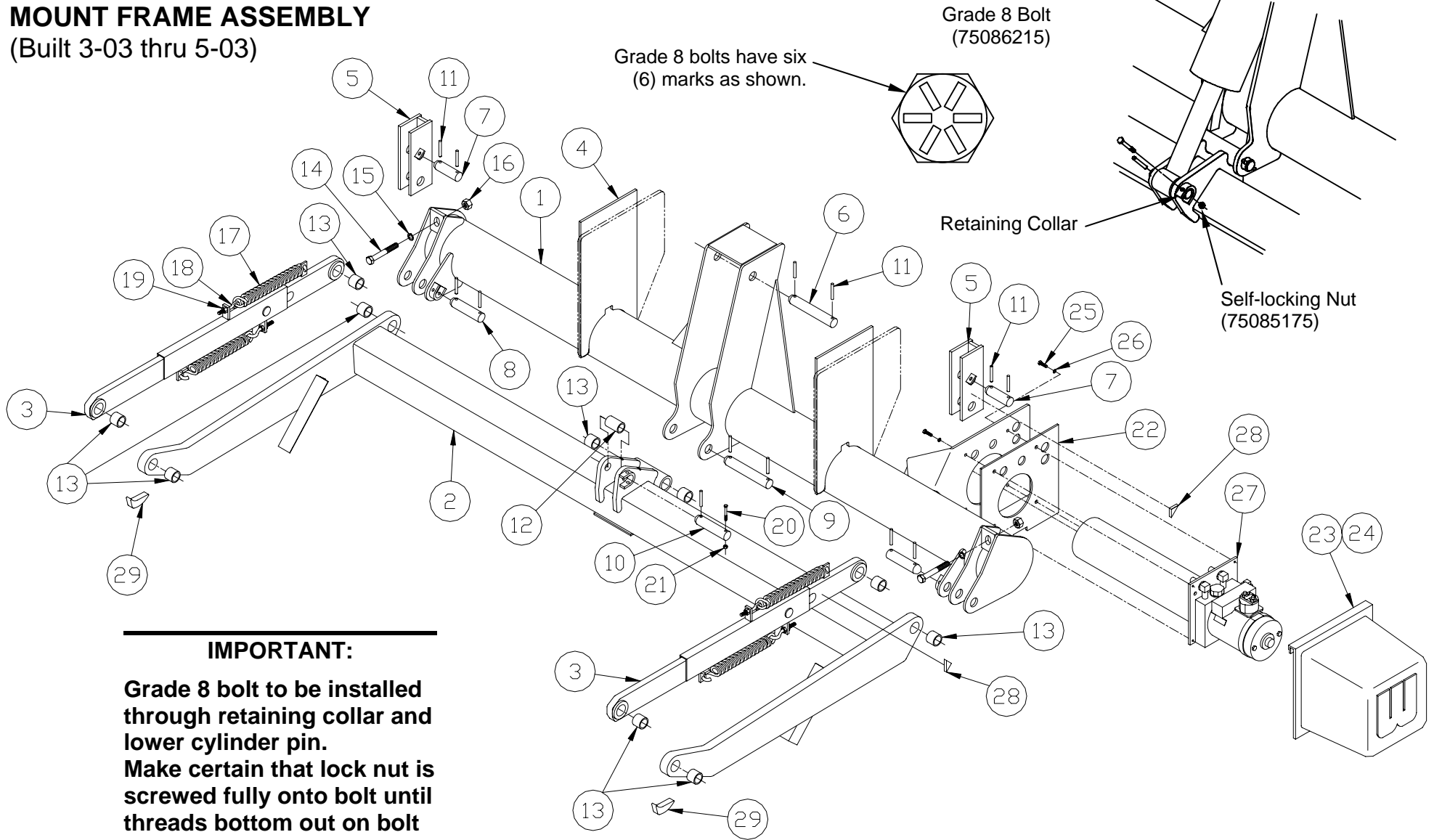
<sup>D</sup> Included in Stop Block Replacement Kit 80000930.

<sup>E</sup> Included in Bar and Spring Replacement Kit 80000935.

<sup>F</sup> Included in Cylinder Replacement Kit 20295401.

<sup>G</sup> Included in Spring Replacement Kit 80000422.

**MOUNT FRAME ASSEMBLY**  
(Built 3-03 thru 5-03)



**IMPORTANT:**  
Grade 8 bolt to be installed through retaining collar and lower cylinder pin. Make certain that lock nut is screwed fully onto bolt until threads bottom out on bolt shank.

**WALTCO**  
TRUCK EQUIPMENT CO.  
F-20RM & F-30RM

REVISED: 2-1-06  
E.O. 5221G  
REV. 04

**PM-523A**

ITEM	PART NUMBER	QTY	DESCRIPTION
1	20220020	1	Mount Frame
2	20330006	1	Lift Arm Assembly
	20330007		Lift Arm Assembly (Extended bed only)
3	20250003	2	Parallel Arm (F-20RM)
	20350003		Parallel Arm (F-30RM)
	20250004		Parallel Arm (Extended bed only)
4	25170100	2	Mount Plate (F-20RM)
	25270100		Mount Plate (F-30RM)
5	20251003 <sup>C</sup>	2	Stop Block Assembly (Half Dip)
	21251003 <sup>D</sup>	1	Stop Block Assembly (Level Ride) (C.S.)
	21251053 <sup>D</sup>	1	Stop Block Assembly (Level Ride) (D.S.)
	20751000	1	Stop Block Assembly (Full Dip) (C.S.) *
	20751050	1	Stop Block Assembly (Full Dip) (D.S.) *
6	20370300 <sup>A E</sup>	1	Upper Cylinder Pin
7	20370500 <sup>A</sup>	2	Stop Block Pin
8	20370400 <sup>A</sup>	2	Main Pin
9	20370300 <sup>A</sup>	1	Bearing Pin
10	20271501 <sup>A E</sup>	1	Lower Cylinder Pin
11	75089541 <sup>A B E</sup>	13	1/4" Dia. x 1-7/8" Coiled Pin
12	10010133 <sup>B</sup>	1	Bearing 7/8" I.D. x 1-3/4" Lg.
13	85803391 <sup>B</sup>	10	Bearing 1" I.D. x 1" Lg.
14	75086187 <sup>C D</sup>	2	3/4"-10 x 4" Hex Head Screw
15	75088087 <sup>C D</sup>	2	Lock Washer
16	75085016 <sup>C D</sup>	2	3/4"-10 Hex Nut
17	20270400 <sup>F</sup>	2	For F-20RM
		4	For F-30RM
18	20252200 <sup>F</sup>	2	5/16"-18 x 3-1/2" Eye Bolt W/Nut
19	75085003 <sup>F</sup>	4	5/16"-18 Hex Nut
20	75086215 <sup>A B E</sup>	1	1/4"-20 x 2-1/2" Bolt (Grade 8)
21	75085175 <sup>A B E</sup>	1	1/4"-20 Self Locking Nut
22	10090410	1	Pump Cover Gasket
23	10090400	1	Pump Cover (with latch)
24	10090420	1	Cover Latch
25	75086212	4	1/4"-20 x 1-1/4" lg. Bolt
26	75088079	4	1/4" Lockwasher
27	See individual Parts Manual Sheets for Power Unit Information.		
28	25176100	4	Up-Stop
29	20230200	2	Power Down Stop (Used on Power Down Liftgates Only)

<sup>A</sup> Included in Pin Replacement Kit 80000736.

<sup>B</sup> Included in Bearing Replacement Kit 80000735.

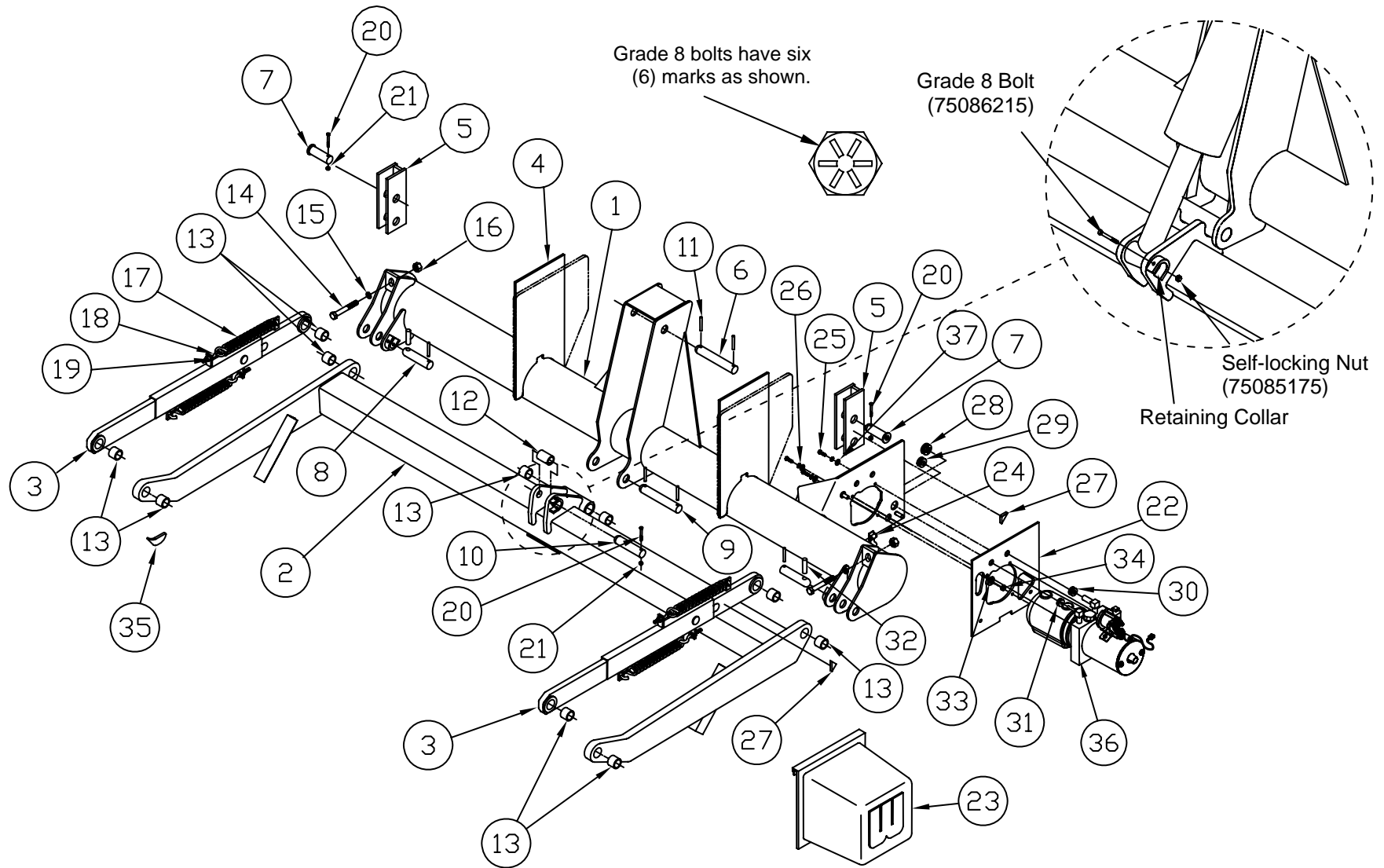
<sup>C</sup> Included in Stop Block Replacement Kit 80000929.

<sup>D</sup> Included in Stop Block Replacement Kit 80000930.

<sup>E</sup> Included in Cylinder Replacement Kit 20295401.

<sup>F</sup> Included in Spring Replacement Kit 80000422.

**MOUNT FRAME ASSEMBLY**  
(Built from 5-03)



**WALTCO LIFT CORP.**  
**F-20RM & F-30RM**

REVISED: 5-12-09  
E.O. 6187  
REV. 11

**PM-523B**

ITEM	PART NUMBER	QTY	DESCRIPTION
1	20220020	1	Mount Frame
2	20330006	1	Lift Arm Assembly
	20330007		Lift Arm Assembly (Extended bed only)
3	20250003	2	Parallel Arm Assy. Complete (F-20RM)
	20350003		Parallel Arm Assy. Complete (F-30RM)
	20250004		Parallel Arm Assy. Complete (Extended bed only)
4	25170100	2	Mount Plate (F-20RM)
	25270100		Mount Plate (F-30RM)
5	20251003 <sup>C</sup>	2	Stop Block Assembly (Half Dip)
	21251003 <sup>D</sup>	1	Stop Block Assembly (Level Ride) (C.S.)
	21251053 <sup>D</sup>	1	Stop Block Assembly (Level Ride) (D.S.)
	20751000	1	Stop Block Assembly (Full Dip) (C.S.) *
	20751050	1	Stop Block Assembly (Full Dip) (D.S.) *
6	20370300 <sup>A E</sup>	1	Upper Cylinder Pin
7	20370500 <sup>A</sup>	2	Stop Block Pin
8	20370400 <sup>A</sup>	2	Main Pin
9	20370300 <sup>A</sup>	1	Bearing Pin
10	20271501 <sup>A E</sup>	1	Lower Cylinder Pin
11	75089541 <sup>A B E</sup>	8	1/4" Dia. x 1-7/8" Roll Pin
12	10010171 <sup>B</sup>	1	Bearing 7/8" I.D. x 1-3/4" Lg.
13	85803391 <sup>B</sup>	10	Bearing 1" I.D. x 1" Lg.
		10	Bearing 1" I.D. x 1" Lg.
14	75086187 <sup>C D</sup>	2	3/4"-10 x 4" Hex Head Screw
		2	Lock Washer
15	75088087 <sup>C D</sup>	2	Lock Washer
		2	3/4"-10 Hex Nut
16	75085016 <sup>C D</sup>	2	3/4"-10 Hex Nut
		2	3/4"-10 Hex Nut
17	20270400 <sup>F</sup>	2	For F-20RM
		4	For F-30RM
18	20252200 <sup>F</sup>	2	For F-20RM
		4	For F-30RM
19	75085003 <sup>F</sup>	2	For F-20RM
		4	For F-30RM
20	75086215 <sup>A B E</sup>	3	1/4"-20 x 2-1/2" Bolt (Grade 8)
		3	1/4"-20 Self Locking Nut
21	75085175 <sup>A B E</sup>	3	1/4"-20 Self Locking Nut
22	10090460	1	Pump Cover Gasket
23	10090450	1	Pump Cover (with latch)
24	27391301	1	Cover Latch
25	75086212	3	1/4"-20 x 1-1/4" lg. Bolt
26	75088079	3	1/4" Lock Washer
27	25176100	4	Up-Stop

ITEM	PART NUMBER	QTY	DESCRIPTION
28	75090310	1	Grommet, Control Cord
29	75089334	1	Grommet, Battery Cable
30	70401408	1 or 2	Grommet for 7/16" JIC fitting
31	70401409	1	Grommet for 1/4" hose stem fitting
32	75089542 <sup>A</sup>	2	1/2" x 2" Roll Pin
33	75088052	1	Washer, 5/16 SAE
34	75085003	1	Hex Nut, 5/16-18, Serrated
35	20230200	2	Power Down Stop (Used on Power Down Liftgates Only)
36	<b>See Power Unit PM's</b>		
37	75088051	3	5/16 Flat Washer

<sup>A</sup> Included in Pin Replacement Kit 80000736.

<sup>B</sup> Included in Bearing Replacement Kit 80000735.

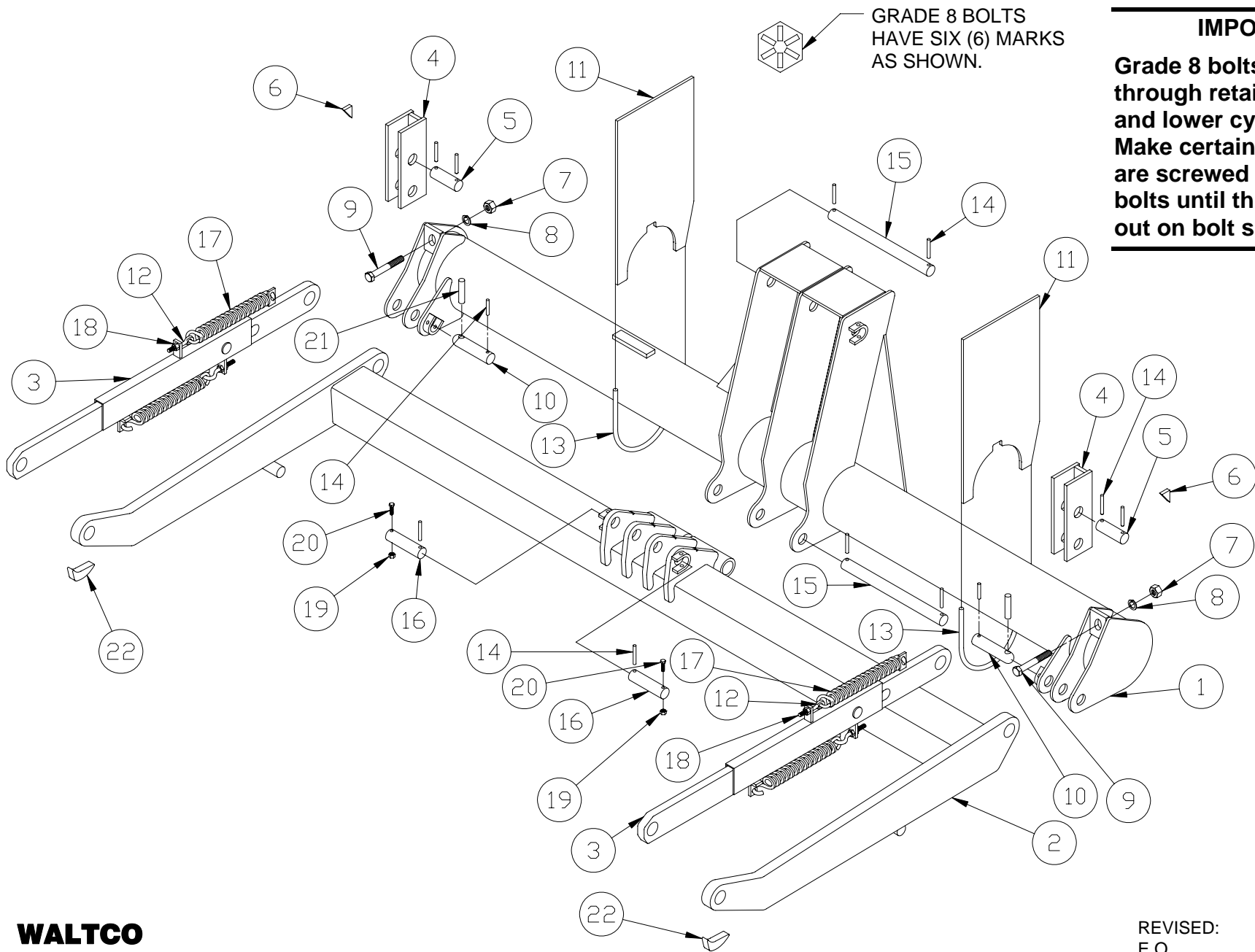
<sup>C</sup> Included in Stop Block Replacement Kit 80000929.

<sup>D</sup> Included in Stop Block Replacement Kit 80000930.

<sup>E</sup> Included in Cylinder Replacement Kit 20295401.

<sup>F</sup> Included in Spring Replacement Kit 80000422.

**MOUNT FRAME ASSEMBLY**  
(Built from 3-96)



**WALTCO**  
TRUCK EQUIPMENT CO.  
F-40

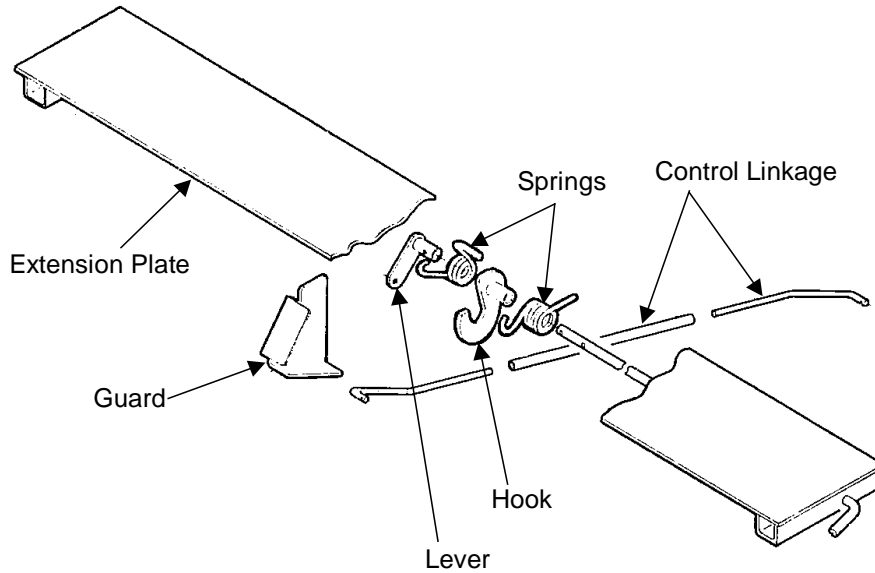
REVISED: 2-1-06  
E.O. 5221G  
REV. 13

**PM-23**

ITEM	PART NUMBER	QTY	DESCRIPTION
1	20420001	1	Mount Frame Assembly
2	20430001	1	Lift Arm Assembly
3	20450001	2	Parallel Arm Assembly Complete
4	20251003 <sup>C</sup>	2	Stop Block (Half Dip)
	21251003 <sup>D</sup>	1	Stop Block (C.S.)(Level Ride)
	21251053 <sup>D</sup>	1	Stop Block (D.S.)(Level Ride)
5	20370100*	2	Stop Block Pin
6	25176100 <sup>CD</sup>	2	Up Stop
7	75085016 <sup>CD</sup>	2	3/4"-10 Hex Nut (Grade 5)
8	75088087 <sup>CD</sup>	2	Lock Washer
9	75086187 <sup>CD</sup>	2	3/4"-10 x 4" Hex Head Screw
10	20370400 *	2	Main Pin
11	25270100	2	Mount Plate
12	20252200 <sup>E</sup>	4	5/16"-18 x 3-1/2" Eye Bolt W/Nut
13	11170300	2	"U" Bar
14	75089541 *	16	1/4" x 1-7/8" Roll Pin
15	20470801 *	2	Bearing Pin
16	20271501 *	2	Lower Cylinder Pin
17	20270400 <sup>E</sup>	4	Extension Spring
18	75085003 <sup>E</sup>	4	5/16"-18 Hex Nut
19	75085175 *	2	1/4"-20 Self Locking Nut
20	75086215 *	2	1/4"-20 x 2-1/2" Bolt (Grade 8)
21	75089542 *	2	1/2" x 2" Roll Pin
22	20230200	2	Power Down Stop (Used on Power Down Liftgates Only)

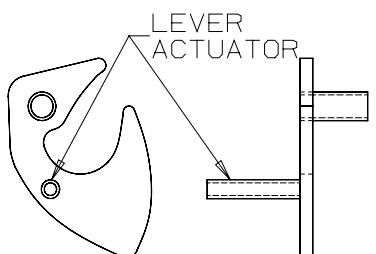
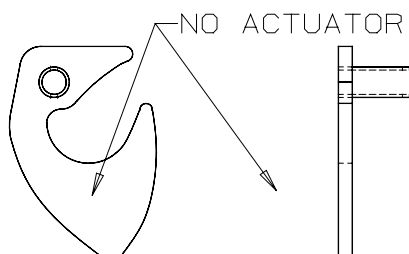
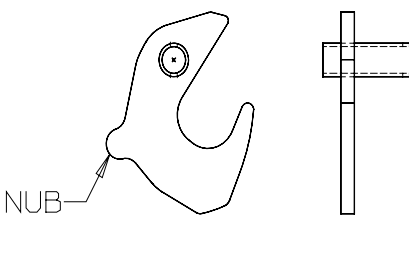
\* Included in Pin Replacement Kit 80003320  
<sup>C</sup> Included in Stop Block Replacement Kit 80000929.  
<sup>D</sup> Included in Stop Block Replacement Kit 80000930  
<sup>E</sup> Included in Spring Replacement Kit 80000422.

# F-SERIES BED EXTENSION ASSEMBLY



## Common Features

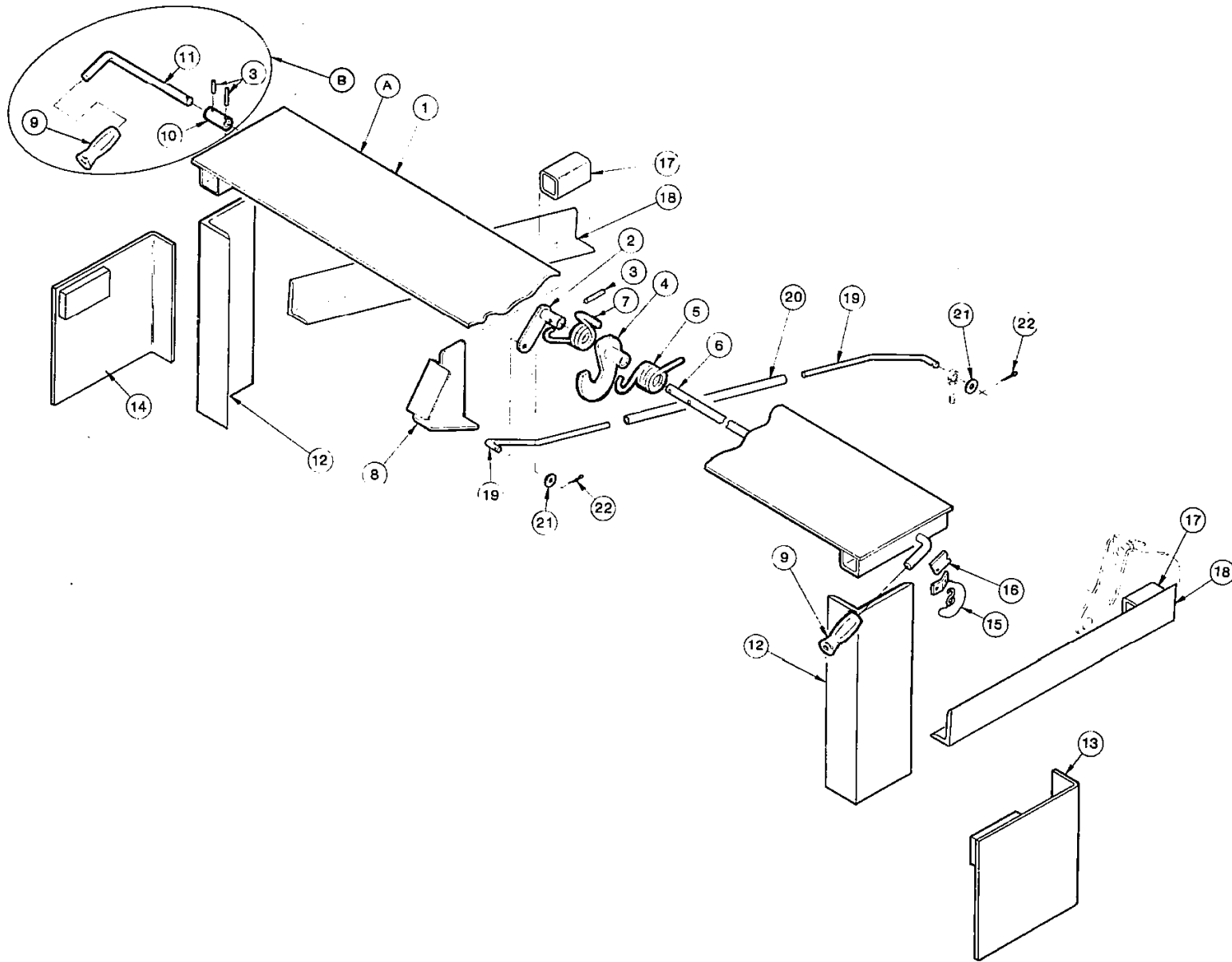
- 10" deep extension plate
- 94" or 98" wide extension plate
- 1/4" extension plate

<p><b>PM-30</b> Built thru 2-94</p>	<p><b>PM-381</b> Built from 2-94 thru 3-95</p>	<p><b>PM-30A</b> Built from 3-95 thru 3-96  <b>PM-417</b> Built from 3-96 thru 1-00  <b>PM-508</b> Built from 1-00 thru 5-03  <b>PM-508A</b> Built from 5-03 thru 4-04  <b>PM-508B</b> Built from 4-04</p>
<p>Manual or Electric Controls</p>	<p>Electric Controls Only</p>	<p>Electric Controls Only</p>
<p>Guard</p>	<p>No guard</p>	<p>No guard</p>
<p>Two springs</p>	<p>One spring</p>	<p>One spring</p>
<p>Lever</p>	<p>No lever</p>	<p>No lever</p>
<p>Control linkage (on manual units only)</p>	<p>No control linkage</p>	<p>No control linkage</p>
<p>Hook with lever actuator</p> 	<p>Hook without lever actuator</p> 	<p>Hook with nub</p> 

80101051 Rev. 04 7/04

[Click here for list of liftgate serial numbers, organized by approximate ship dates.](#)

**F-20, 30, 40 BED EXTENSION**  
(Built thru 2-94)



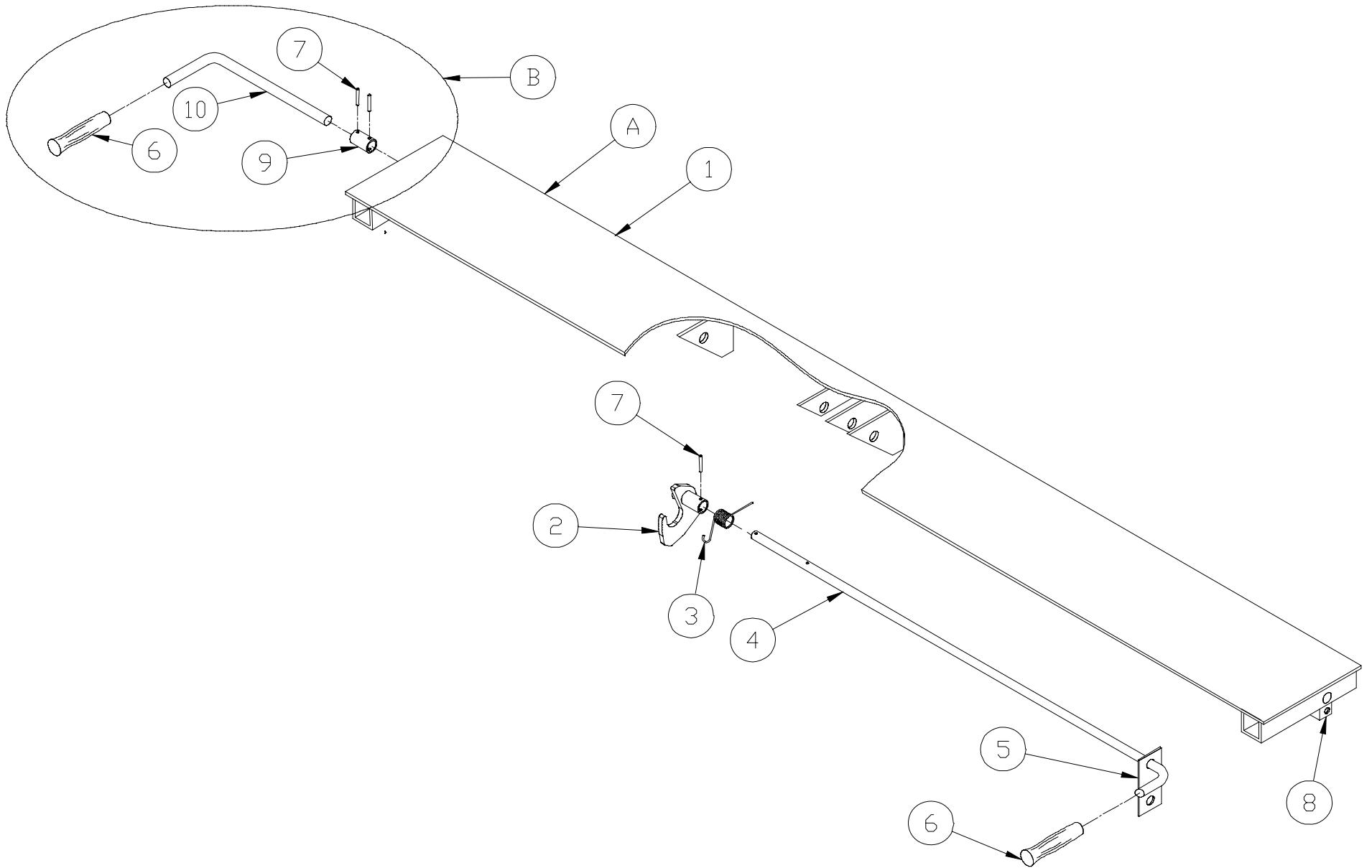
**WALTCO**  
TRUCK EQUIPMENT CO.  
F-SERIES

REVISED: 8-1-09  
E.O. 6251  
REV. 02

**PM-30**

ITEM	PART NUMBER	QTY	DESCRIPTION
A	20260003	1	Bed Extension (Includes Items 1 thru 9)
B	80000720	1	Flipaway Dual Control Kit (Includes Items 3, 9, 10, 11)
1	20261003	1	Bed Extension Sub-Assembly
2	26263000	1	Lever Assembly
3	75089547	1	3/16" Dia. x 1" Coiled Pin (3 Used on Dual Control)
4	20262003	1	Hook Assembly
5	20261600	1	Torsion Spring
6	20265100	1	Control Handle
7	20261800	1	Torsion Spring
8	20261503	1	Control Guard
9	75089330	1	Rubber Grip (2 Used on Dual Control)
10	26263202	1	Dual Control Sleeve
11	26265102	1	Dual Control Handle
12	20297101	2	Dock Bumper Angle
13	20297500	1	Tail Light Guard Assembly (Curb Side)
14	20297550	1	Tail Light Guard Assembly (Street Side)
15	26297000	1	Lockout Device
16	22197103	1	Lockout Bar
17	20298100	2	Connecting Tube
18	20298401	2	Dock Bumper Brace
19	26291100	2	Control Rod
20	20291200	1	Control Rid Tube
21	75088052	2	5/16" Flat Washer
22	75084053	2	3/32" Dia. x 1" Cotter Pin

**F, C, E, SERIES BED EXTENSION, ELECTRIC CONTROLS**  
 (Built 2-94 thru 3-95)



**WALTCO**  
**TRUCK EQUIPMENT CO.**  
**F, C, E, SERIES**

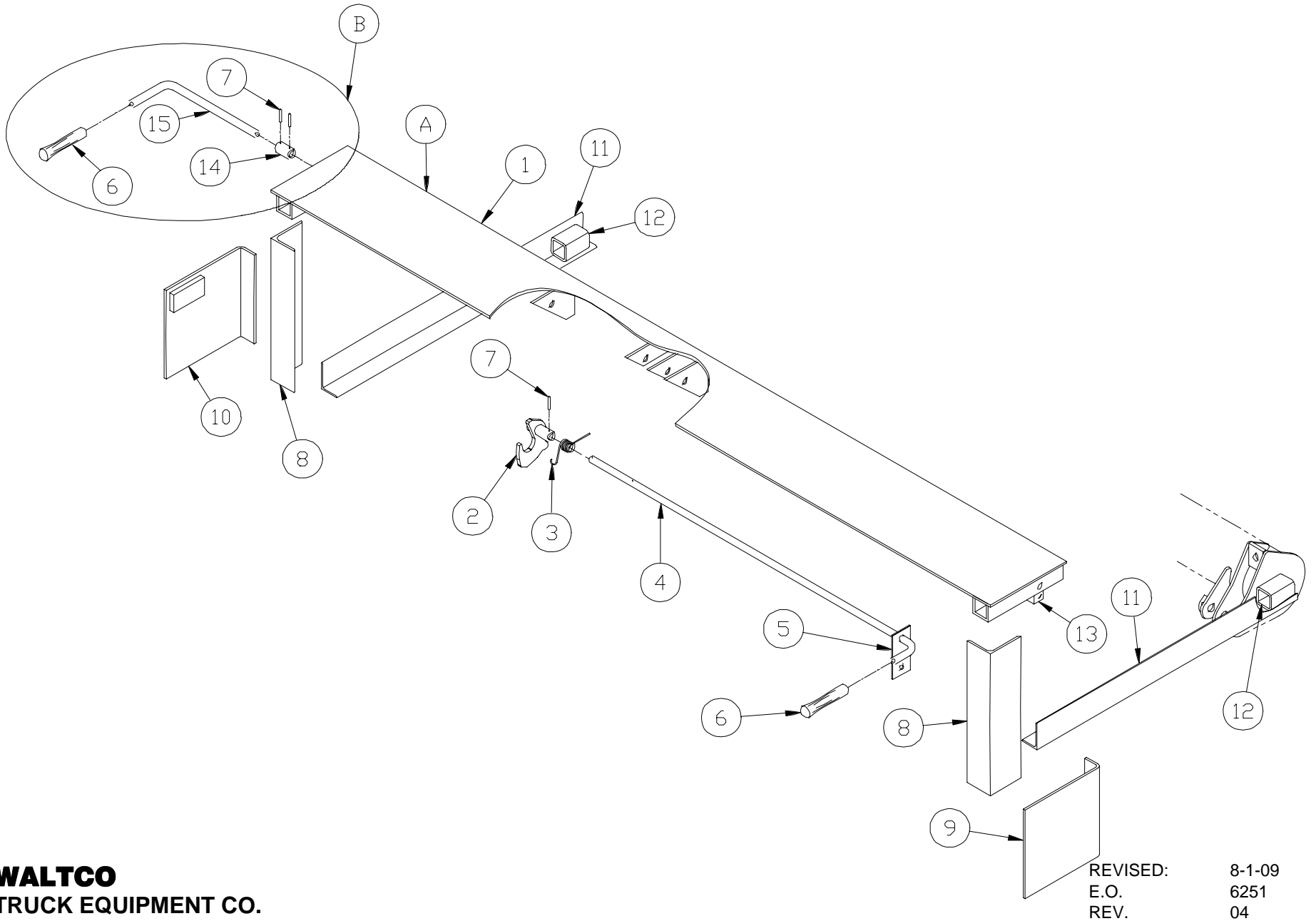
REVISED: 8-1-09  
 E.O. 6251  
 REV. 03

**PM-381**

ITEM	PART NUMBER	QTY	DESCRIPTION
A	20260005	1	Bed Extension Assembly Complete (96" Wide) (F-Series Only)
	20260006	1	Bed Extension Assembly Complete (102" Wide) (F-Series Only)
	22160005	1	Bed Extension Assembly Complete (C-Series Only)
	26260001	1	Bed Extension Assembly Complete (E-Series Only)
B	80000720	1	Flipaway Dual Control Kit (Includes Items 3, 7, 9, 10)
1	26261004	1	Bed Extension Sub Assembly (96" Wide) (F-Series Only)
	26261005	1	Bed Extension Sub Assembly (102" Wide) (F-Series Only)
	22161005	1	Bed Extension Sub Assembly (C-Series Only)
	26261001	1	Bed Extension Sub Assembly (E Series Only)
2	20262005	1	Hook Assembly (F-Series Only)
	22162005	1	Hook Assembly (C-Series Only)
	26262001	1	Hook Assembly (E-Series Only)
3	20261600	1	Torsion Spring
4	20265105	1	Control Handle (96" Wide)
	20265106	1	Control Handle (102" Wide)
5	22197104	1	Lock Out Clip
6	75089330	1	Rubber Grip (2 Used on Dual Control)
7	75089547	1	3/16" Dia. Coiled Pin (3 Used on Dual control)
8	33021800	1	Lock Out Clip
9	26263202	1	Dual Control Sleeve
10	26265102	1	Dual Control Handle



**F-SERIES BED EXTENSION**  
(Built 3-95 thru 3-96)



**WALTCO**  
TRUCK EQUIPMENT CO.  
F-SERIES

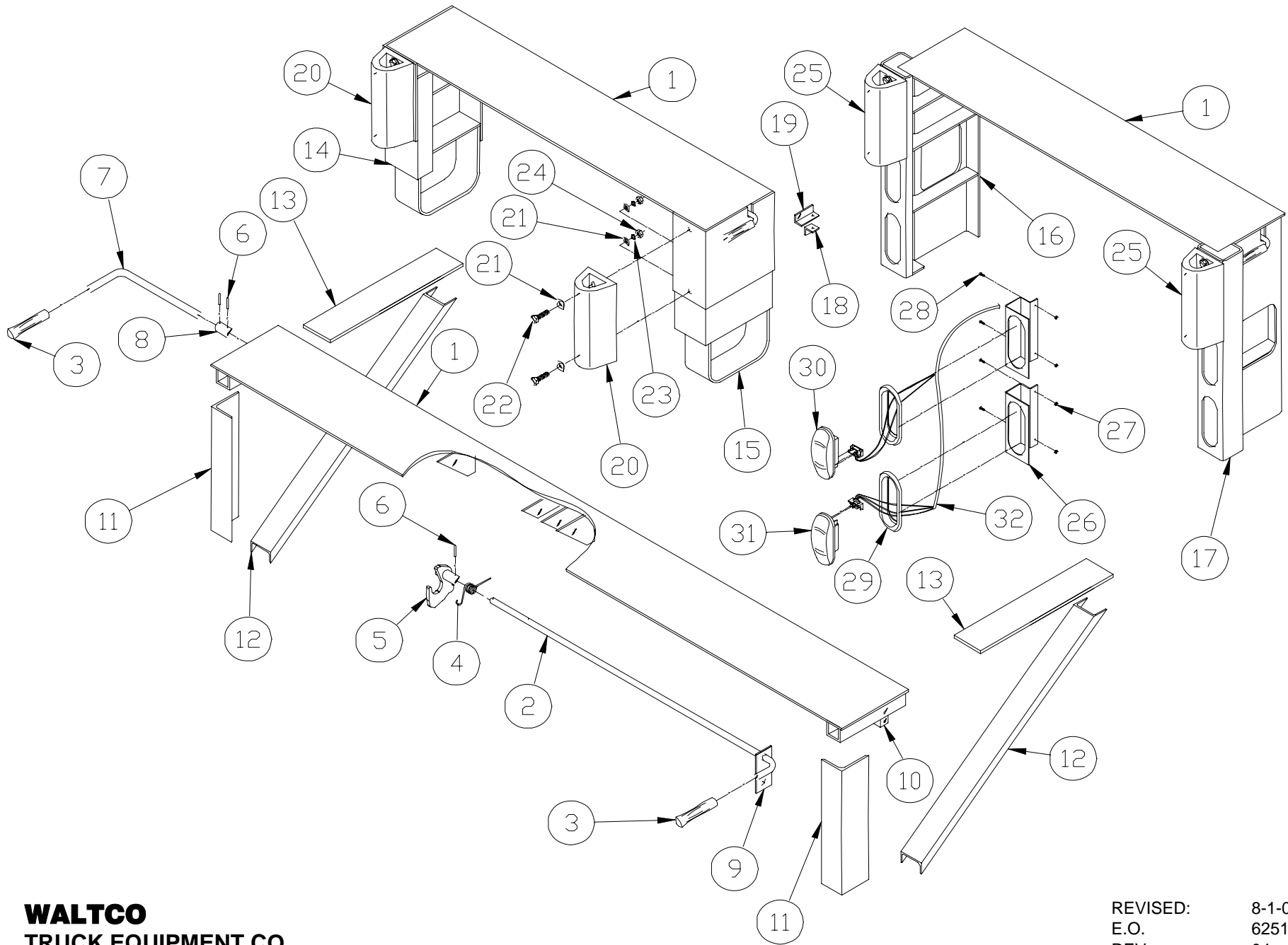
REVISED:  
E.O.  
REV.

8-1-09  
6251  
04

**PM-30A**

ITEM	PART NUMBER	QTY	DESCRIPTION
A	26260002	1	Bed Extension Assembly Complete (96" Wide)
	26260003	1	Bed Extension Assembly Complete (102" Wide)
B	80000720	1	Flipaway Dual Control Kit<R> (Includes Items 3 9 10 11)
1	26261002	1	Bed Extension Sub Assembly (96" Wide)
	26261003	1	Bed Extension Sub Assembly (102" Wide)
2	26262002	1	Hook Assembly
3	20261600	1	Torsion Spring
4	20265105	1	Control Handle (96" Wide)
	20265106	1	Control Handle (102" Wide)
5	22197104	1	Lock Out Clip
6	75089330	1	Rubber Grip (2 Used on Dual Control)
7	75089547	1	3/16" Dia. Coiled Pin(3 Used on Dual control)
8	20297101	2	Dock Bumper Angle
9	20297500	1	Tail Light Guard Assembly (Curb Side Only)
10	20297550	1	Tail Light Guard Assembly (Driver's Side Only)
11	20298401	2	Dock Bumper Brace
12	20298100	2	Connecting Tube
13	33021800	1	Lock Out Clip
14	26263202	1	Dual Control Sleeve
15	26265102	1	Dual Control Handle

**F, C, E SERIES BED EXTENSION**  
(Built 3-96 thru 1-00)



**WALTCO**  
TRUCK EQUIPMENT CO.  
F, C, E SERIES

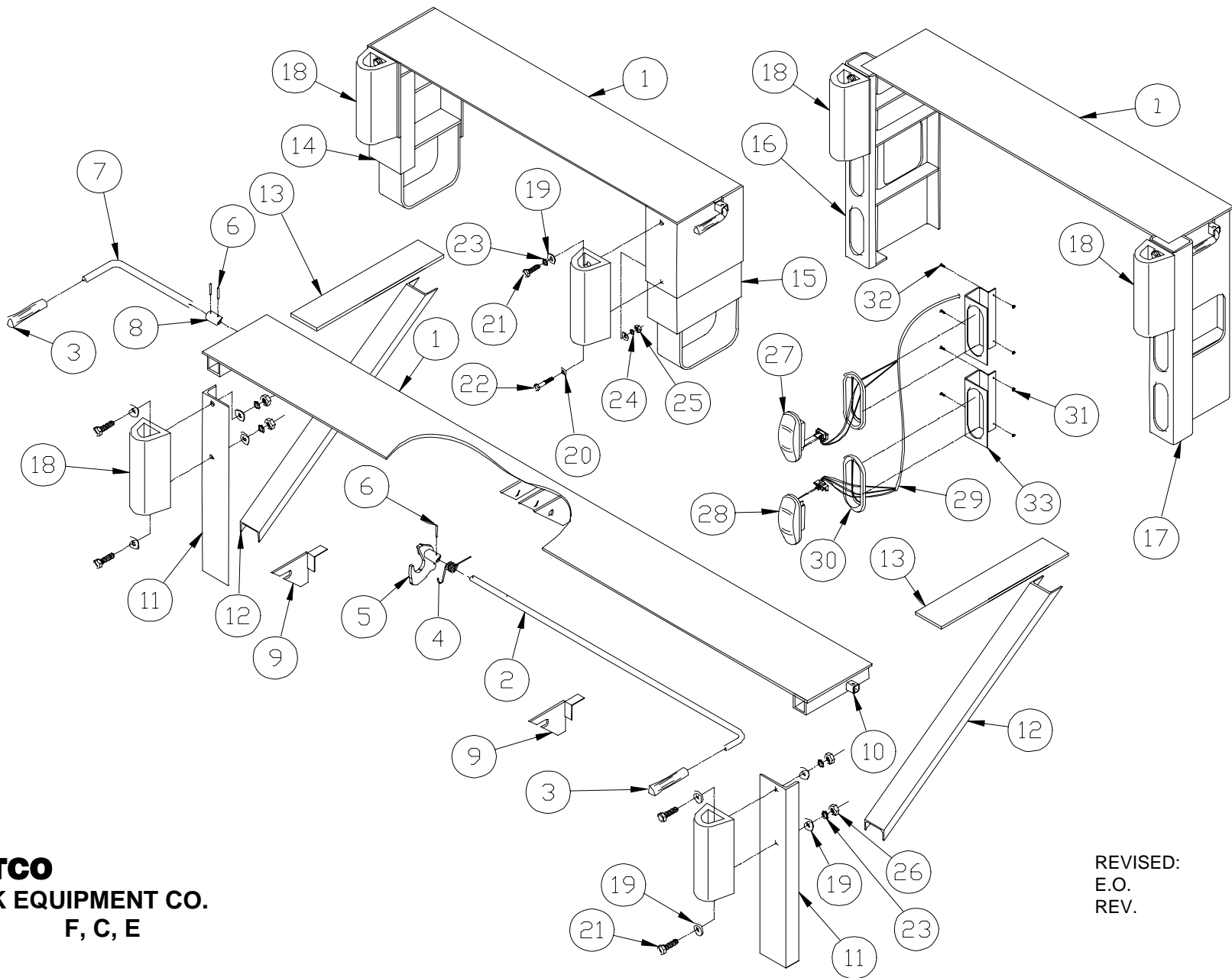
REVISED: 8-1-09  
E.O. 6251  
REV. 04

**PM-417**

ITEM	PART NUMBER	QTY	DESCRIPTION
1	26260002	1	Bed Extension - 96"
	26260003	1	Bed Extension - 102"
2	20265105	1	Control Handle (96" Bed Extension)
	20265106	1	Control Handle (102" Bed Extension)
3	75089330 ❖	1	Rubber Grip (2 Used On Dual Control)
4	20261600	1	Torsion Spring
5	26262002	1	Hook Assembly
6	75089547 ❖	1	Coiled Pin (3 Used On Dual Control Units)
7	26265102 ❖	1	Dual Control Handle (Dual Control Only)
8	26263202 ❖	1	Connector Sleeve (Dual Control Only)
9	22197104	1	Lockout Bar
10	33021800	1	Lockout Clip
11	26297102 ⌘	2	Dock Bumper Angle
12	26298003 ⌘	2	Support Channel
13	26298004 ⌘	2	Support Bar
14	26298052 ■	1	Dock Bumper (Driver's Side)
15	26298002 ■	1	Dock Bumper (Curb Side)
16	22597051 ○	1	Dock Bumper for lights (Driver's Side)
17	22597001 ○	1	Dock Bumper for lights (Curb Side)
18	26298600 ■○	1	Lockout Angle
19	26298500 ■○	1	Lockout Angle
20	26297602 ◆	2	Rubber Bumper
21	75088057 ●◆	8	Washer 5/8"
22	75086159 ●◆	4	Hex Bolt 5/8"-11 x 3" lg. Grade 2
23	75088085 ●◆	4	Lock Washer 5/8"
24	75085012 ●◆	4	Hex Nut 5/8"-11
25	26297600 ●	2	Rubber Bumper
26	22597102 ○	4	Tail Light Bracket
27	75085000 ○	8	Hex Nut #10-32
28	75086732 ○	8	Machine Screw #10-32 x 1" lg.
29	75089376 ○	4	Light Grommet
	75089374 ○	2	Tail Light Backup (Tractors only) (Clear)
30	75089373 ○	2	Tail Light S, T & T (Trailers only) (Red)
	75089374 ○	2	Tail Light Backup (Tractors only) (Clear)
31	75089373 ○	2	Tail Light S, T & T (Red)
32	22575200 ○	2	Harness, 2 Lamp

- ❖ Included in dual control kit 80000720
- Rubber Bumper Kit 26297003 (For Heavy Duty Dock Bumper Kits)
- Rubber Bumper Kit 22596011 (For Super Duty Dock Bumper Kits with Lights)
- ◆ Rubber Bumper Kit 26297002 (For Super Duty without Lights)
- Super Duty Dock Bumper Kit 26296002 (without Lights)
- Super Duty Dock Bumper Kit With (4) Lights 22596001 (Tractor)
- Super Duty Dock Bumper Kit With (4) Lights 22596001 (Trailer)
- ⌘ Heavy Duty Dock Bumper Kit 26296003

**BED EXTENSION**  
(Built 1-00 thru 5-03)



**WALTCO**  
TRUCK EQUIPMENT CO.  
F, C, E

REVISED: 8-1-09  
E.O. 6251  
REV. 05

**PM-508**

ITEM	PART NUMBER	QTY	DESCRIPTION
1	26360001	1	Bed Extension – 96" E-30 only
	26360002		Bed Extension – 102" E-30 only
	26260006		Bed Extension – 96"
	26260007		Bed Extension – 102"
2	26360101 <sup>L</sup>	1	Control Handle 96" Bed Extension E-30 only
	26360102		Control Handle 102" Bed Extension E-30 only
	26265100 <sup>I</sup>		Control Handle 96" Bed Extension
	26265101		Control Handle 102" Bed Extension
3	75089330 <sup>ATKL</sup>	1	Handle Grip (2 used with dual controls)
4	20261600 <sup>LL</sup>	1	Torsion Spring
5	26262002 <sup>LL</sup>	1	Hook Assembly
6	75089547 <sup>ATKL</sup>	1	Roll Pin (3 used with dual control)
7	26265102 <sup>A</sup>	1	Dual Control Handle (Dual Control only)
	26365102 <sup>K</sup>		Dual Control Handle (Dual Control only) E-30 only
8	26263202 <sup>AK</sup>	1	Connector Sleeve (Dual Control only)
9	26266001	2	Bed Extension Gauge/Gusset
10	26265200	1	Control Handle Collar
11	26297102 <sup>B</sup>	2	Dock Bumper Angle
12	26298003 <sup>B</sup>	2	Support Channel
13	26298004 <sup>B</sup>	2	Support Bar
14	26298050 <sup>C</sup>	1	Super Duty Dock Bumper (Driver's Side)
15	26298010 <sup>C</sup>	1	Super Duty Dock Bumper (Curb Side)
16	22597051 <sup>DE</sup>	1	Super Duty Dock Bumper w/lights (D.S.)
17	22597001 <sup>DE</sup>	1	Super Duty Dock Bumper w/lights (C.S.)
18	26297600 <sup>FGH</sup>	2	Rubber Bumper
19	75088057 <sup>FGH</sup>	8*	Washer, 5/8"
20	75088067 <sup>G</sup>	4	Washer, 1/2"
21	75086155 <sup>FGH</sup>	4 <sup>Δ</sup>	Hex Bolt, 5/8"-11 x 2" lg.
22	75086110 <sup>G</sup>	2	Hex Bolt, 1/2"-13 x 2-1/2" lg.
23	75088085 <sup>FGH</sup>	4 <sup>Δ</sup>	Lock Washer, 5/8"
24	75088083 <sup>G</sup>	2	Lock Washer, 1/2"
25	75085008 <sup>G</sup>	2	Hex Nut, 1/2"-13
26	75085012 <sup>F</sup>	4	Hex Nut, 5/8"-11
27	75089374 <sup>D</sup>	2	Taillight Backup (Tractors only) (Clear)
	75089373 <sup>DE</sup>		Taillight S, T & T (Trailers only) (Red)
28	75089373 <sup>DE</sup>	2	Taillight S, T & T (Red)
29	22575200 <sup>DE</sup>	2	Harness, 2 Lamp
30	75089376 <sup>DE</sup>	4	Light Grommet

ITEM	PART NUMBER	QTY	DESCRIPTION
31	75085000 <sup>DE</sup>	8	Hex Nut, #10-32
32	75086732 <sup>DE</sup>	8	Machine Screw, #10-32 x 1" lg.
33	22597102 <sup>DE</sup>	4	Taillight Bracket

<sup>A</sup> Included in Dual Control Kit 80000720

<sup>B</sup> Heavy Duty dock Bumper Kit 26296003

<sup>C</sup> Super Duty dock Bumper Kit 262960004 (without lights)

<sup>D</sup> Super Duty dock Bumper Kit With (4) Lights 22596001 (Tractor)

<sup>E</sup> Super Duty dock Bumper Kit With (4) Lights 22596003 (Trailer)

<sup>F</sup> Rubber Bumper Kit 26297003 (For Heavy Duty Dock Bumper Kit)

<sup>G</sup> Rubber Bumper Kit 26297004 (For Super Duty Dock Bumper Kit w/o Lights)

<sup>H</sup> Rubber Bumper Kit 22596011 (For Super Duty Dock Bumper Kit With Lights)

<sup>I</sup> Included in bed Extension Replacement Kit 80000951 (F,C,E)

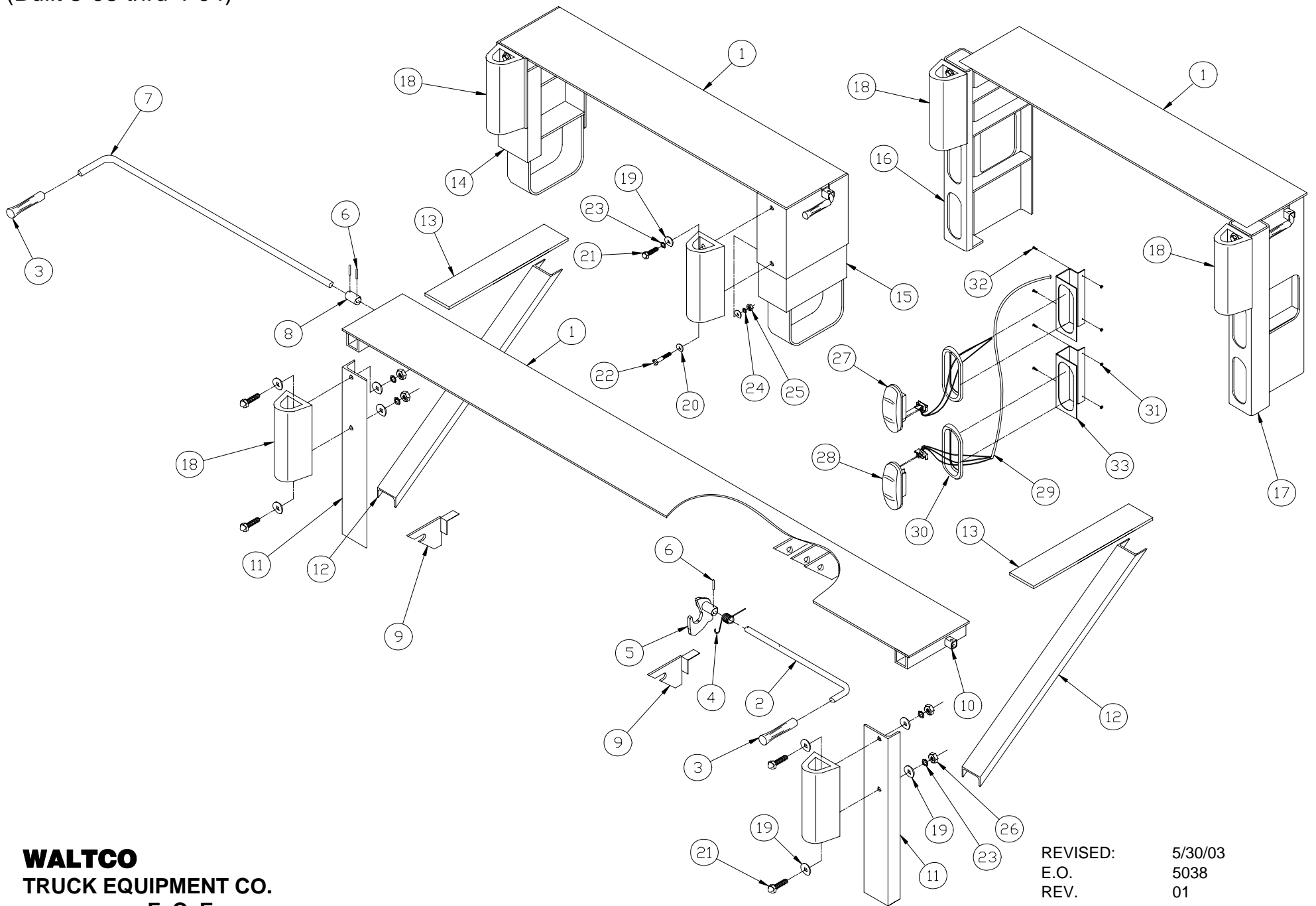
<sup>K</sup> Included in Dual Control Kit (80000431)

<sup>L</sup> Included in E-30 Bed Extension Replacement Kit (80000969).

\* Quantity of 4 for 22596011, Quantity of 2 for 26297004

<sup>Δ</sup> Quantity of 2 for 26297004

**BED EXTENSION**  
(Built 5-03 thru 4-04)



**WALTCO**  
TRUCK EQUIPMENT CO.  
F, C, E

REVISED: 5/30/03  
E.O. 5038  
REV. 01

**PM-508A**

ITEM	PART NUMBER	QTY	DESCRIPTION
1	26360001	1	Bed Extension – 96"
	26360002		Bed Extension – 102"
2	26360101 <sup>L</sup>	1	Control Handle 96" Bed Extension
	26360102		Control Handle 102" Bed Extension
3	75089330 <sup>LK</sup>	1	Handle Grip (2 used with dual controls)
4	20261600 <sup>L</sup>	1	Torsion Spring
5	26262002 <sup>L</sup>	1	Hook Assembly
6	75089547 <sup>LK</sup>	1	Roll Pin (3 used with dual control)
7	26365102 <sup>K</sup>		Dual Control Handle (Dual Control only)
8	26263202 <sup>K</sup>	1	Connector Sleeve (Dual Control only)
9	26266001	2	Bed Extension Gauge/Gusset
10	26265200	1	Control Handle Collar
11	26297102 <sup>B</sup>	2	Dock Bumper Angle
12	26298003 <sup>B</sup>	2	Support Channel
13	26298004 <sup>B</sup>	2	Support Bar
14	26298050 <sup>C</sup>	1	Super Duty Dock Bumper (Driver's Side)
15	26298010 <sup>C</sup>	1	Super Duty Dock Bumper (Curb Side)
16	22597051 <sup>DE</sup>	1	Super Duty Dock Bumper w/lights (D.S.)
17	22597001 <sup>DE</sup>	1	Super Duty Dock Bumper w/lights (C.S.)
18	26297600 <sup>F GH</sup>	2	Rubber Bumper
19	75088057 <sup>F GH</sup>	8*	Washer, 5/8"
20	75088067 <sup>G</sup>	4	Washer, 1/2"
21	75086155 <sup>F GH</sup>	4 <sup>Δ</sup>	Hex Bolt, 5/8"-11 x 2" lg.
22	75086110 <sup>G</sup>	2	Hex Bolt, 1/2"-13 x 2-1/2" lg.
23	75088085 <sup>F GH</sup>	4 <sup>Δ</sup>	Lock Washer, 5/8"
24	75088083 <sup>G</sup>	2	Lock Washer, 1/2"
25	75085008 <sup>G</sup>	2	Hex Nut, 1/2"-13
26	75085012 <sup>F</sup>	4	Hex Nut, 5/8"-11
27	75089374 <sup>D</sup>	2	Taillight Backup (Tractors only) (Clear)
28	75089373 <sup>DE</sup>	2	Taillight S, T & T (Trailers only) (Red)
	75089373 <sup>DE</sup>		Taillight S, T & T (Red)
29	22575200 <sup>DE</sup>	2	Harness, 2 Lamp
30	75089376 <sup>DE</sup>	4	Light Grommet
31	75085000 <sup>DE</sup>	8	Hex Nut, #10-32
32	75086732 <sup>DE</sup>	8	Machine Screw, #10-32 x 1" lg.
33	22597102 <sup>DE</sup>	4	Taillight Bracket

<sup>B</sup> Heavy Duty dock Bumper Kit 26296003

<sup>C</sup> Super Duty dock Bumper Kit 262960004 (without lights)

<sup>D</sup> Super Duty dock Bumper Kit With (4) Lights 22596001 (Tractor)

<sup>E</sup> Super Duty dock Bumper Kit With (4) Lights 22596003 (Trailer)

<sup>F</sup> Rubber Bumper Kit 26297003 (For Heavy Duty Dock Bumper Kit)

<sup>G</sup> Rubber Bumper Kit 26297004 (For Super Duty Dock Bumper Kit w/o Lights)

<sup>H</sup> Rubber Bumper Kit 22596011 (For Super Duty Dock Bumper Kit With Lights)

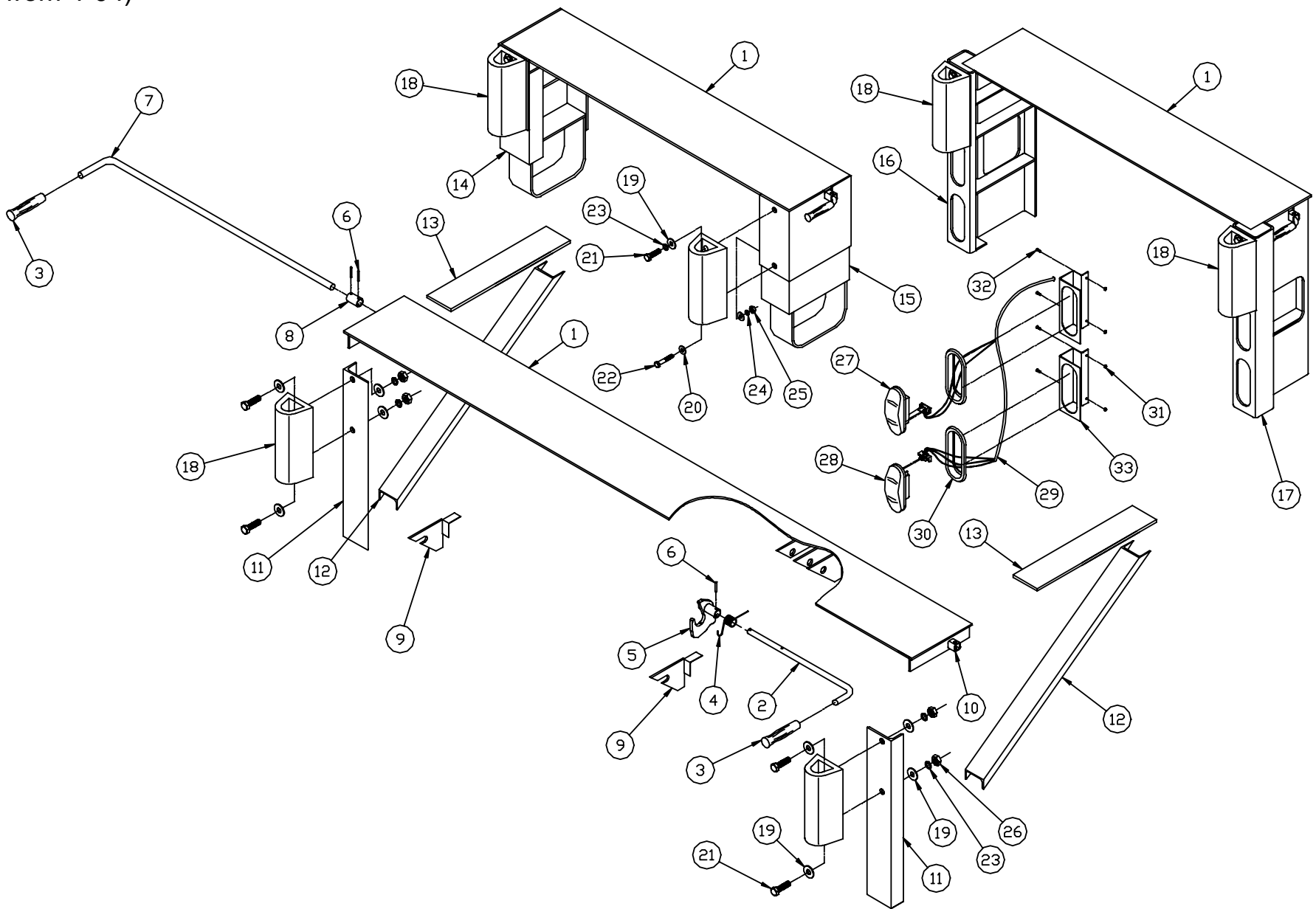
<sup>K</sup> Included in Dual Control Kit (80000431)

<sup>L</sup> Included in Bed Extension Replacement Kit (80000969).

\* Quantity of 4 for 22596011, Quantity of 2 for 26297004

<sup>Δ</sup> Quantity of 2 for 26297004

**BED EXTENSION**  
(Built from 4-04)



**WALTCO LIFT CORP.**  
F, C, E, EZL

REVISED: 7-1-08  
E.O. 6046  
REV. 02

**PM-508B**

ITEM	PART NUMBER	QTY	DESCRIPTION
1	26360001 <sup>A</sup>	1	Bed Extension – 96"
	26360002 <sup>A</sup>		Bed Extension – 102"
2	26360101 <sup>L</sup>	1	Control Handle 96" Bed Extension
	26360102		Control Handle 102" Bed Extension
3	75089330 <sup>LK</sup>	1	Handle Grip (2 used with dual controls)
4	20261600 <sup>L</sup>	1	Torsion Spring
5	26262002 <sup>L</sup>	1	Hook Assembly
6	75089547 <sup>LK</sup>	1	Roll Pin (3 used with dual control)
7	26365102 <sup>K</sup>		Dual Control Handle (Dual Control only)
8	26263202 <sup>K</sup>	1	Connector Sleeve (Dual Control only)
9	26266001	2	Bed Extension Gauge/Gusset
10	26265205	1	Control Handle Collar
11	26297102 <sup>B</sup>	2	Dock Bumper Angle
12	26298003 <sup>B</sup>	2	Support Channel
13	26298004 <sup>B</sup>	2	Support Bar
14	26298050 <sup>C</sup>	1	Super Duty Dock Bumper (Driver's Side)
15	26298010 <sup>C</sup>	1	Super Duty Dock Bumper (Curb Side)
16	22597051 <sup>DE</sup>	1	Super Duty Dock Bumper w/lights (D.S.)
17	22597001 <sup>DE</sup>	1	Super Duty Dock Bumper w/lights (C.S.)
18	26297600 <sup>F GH</sup>	2	Rubber Bumper
19	75088057 <sup>F GH</sup>	8*	Washer, 5/8"
20	75088067 <sup>G</sup>	4	Washer, 1/2"
21	75086155 <sup>F GH</sup>	4 <sup>Δ</sup>	Hex Bolt, 5/8"-11 x 2" lg.
22	75086110 <sup>G</sup>	2	Hex Bolt, 1/2"-13 x 2-1/2" lg.
23	75088085 <sup>F GH</sup>	4 <sup>Δ</sup>	Lock Washer, 5/8"
24	75088083 <sup>G</sup>	2	Lock Washer, 1/2"
25	75085008 <sup>G</sup>	2	Hex Nut, 1/2"-13
26	75085012 <sup>F</sup>	4	Hex Nut, 5/8"-11
27	75089374 <sup>D</sup>	2	Taillight Backup (Tractors only) (Clear)
28	75089373 <sup>DE</sup>	2	Taillight S, T & T (Trailers only) (Red)
	75089373 <sup>DE</sup>		Taillight S, T & T (Red)
29	22575200 <sup>DE</sup>	2	Harness, 2 Lamp
30	75089376 <sup>DE</sup>	4	Light Grommet
31	75085000 <sup>DE</sup>	8	Hex Nut, #10-32
32	75086732 <sup>DE</sup>	8	Machine Screw, #10-32 x 1" lg.
33	22597102 <sup>DE</sup>	4	Taillight Bracket

<sup>A</sup> Kit, 80001088, Bed Extension Install, is required for mounting bed extensions

<sup>B</sup> Heavy Duty dock Bumper Kit 26296003

<sup>C</sup> Super Duty dock Bumper Kit 262960004 (without lights)

<sup>D</sup> Super Duty dock Bumper Kit With (4) Lights 22596001 (Tractor)

<sup>E</sup> Super Duty dock Bumper Kit With (4) Lights 22596003 (Trailer)

<sup>F</sup> Rubber Bumper Kit 26297003 (For Heavy Duty Dock Bumper Kit)

<sup>G</sup> Rubber Bumper Kit 26297004 (For Super Duty Dock Bumper Kit w/o Lights)

<sup>H</sup> Rubber Bumper Kit 22596011 (For Super Duty Dock Bumper Kit With Lights)

<sup>K</sup> Included in Dual Control Kit (80000431)

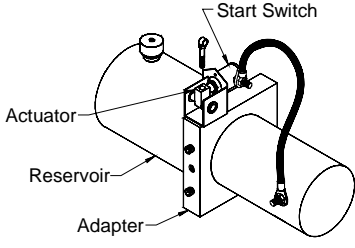
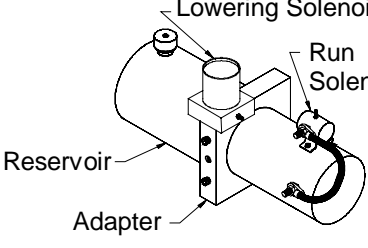
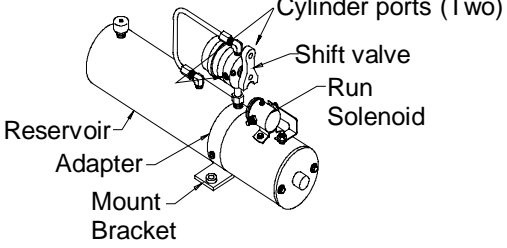
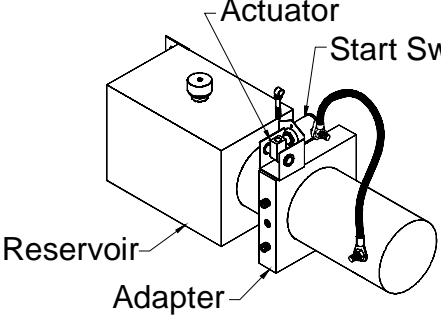
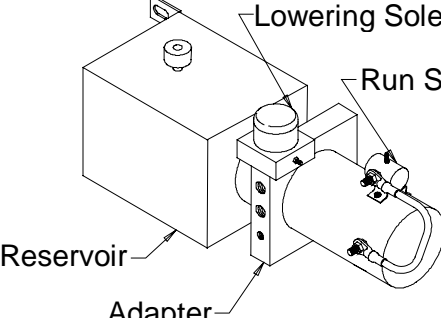
<sup>L</sup> Included in Hook and Handle Replacement Kit (80000969).

\* Quantity of 4 for 22596011, Quantity of 2 for 26297004

<sup>Δ</sup> Quantity of 2 for 26297004

# F-SERIES HYDRAULICS

(Prior to 2-94)

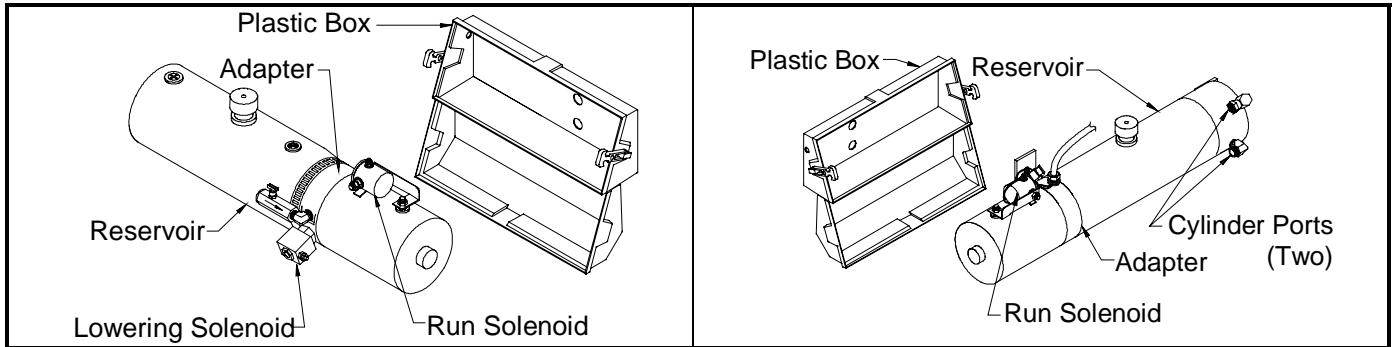
					
<b>F-20, 30 Manual Control</b>	<b>F-20, 30 Electric Control</b>	<b>F-20, 30 Manual Power Down</b>			
					
<b>F-40 Manual Control</b>		<b>F-40 Electric Control</b>			
<p><b>Common Features</b></p> <ul style="list-style-type: none"> <li>• Fenner power units (except Power Down – Monarch)</li> <li>• Manual or electric controls</li> <li>• "F" Series cylinders</li> <li>• Pressure set at 2700 psi</li> <li>• Pump mounted to brackets in middle of mount tube</li> </ul>					
	<b>F20, F30</b>			<b>F40</b>	
	<b>Manual Control</b>	<b>Electric Control</b>	<b>Manual Power Down</b>	<b>Manual Control</b>	<b>Electric Control</b>
<b>Reservoir</b>	Round	Round	Round	Square	Square
<b>Control</b>	Start switch with actuator	Release and control solenoid	Shift valve with control solenoid	Start switch with actuator	Release and control solenoid
<b>Adapter</b>	Square	Square	Round	Square	Square
<b>Motor</b>	Spline drive	Spline drive	Tang drive	Spline drive	Spline drive
<b>Hydraulic Layout</b>	<b>PM-57</b>	<b>80100125</b>	<b>PM-271</b>	<b>PM-17</b>	<b>80100494</b>
<b>Pump</b>	<b>PM-110B</b>	<b>PM-111B</b>	<b>PM-247A</b>	<b>PM-112B</b>	<b>PM-108B</b>
<b>Cylinder</b>	<b>PM-263</b>	<b>PM-263</b>	<b>PM-585</b>	<b>PM-211</b>	<b>PM-211</b>

80101089 Rev. 04 7/04

[Click here for list of liftgate serial numbers, organized by approximate ship dates.](#)

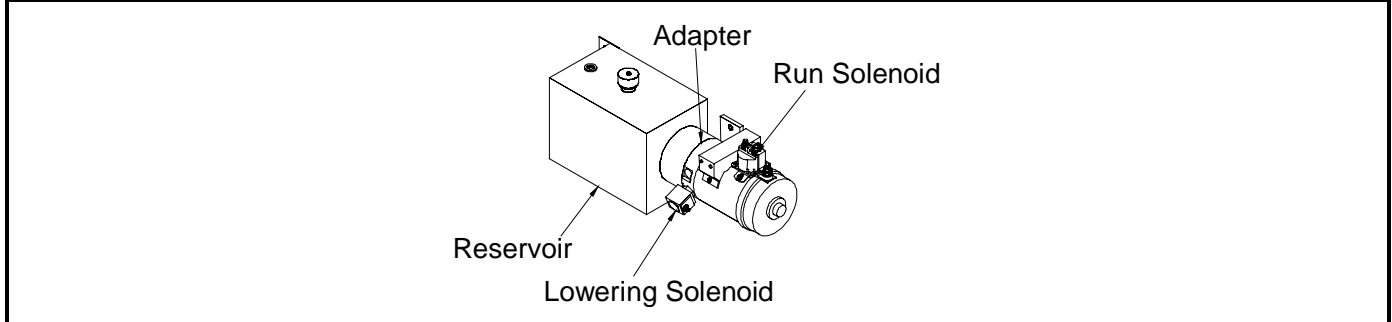
# F-SERIES ELECTROPAK®

(Manufactured from 2-94 thru 3-96)



**F-20, 30 Electric Control**

**F-20, 30 Electric Control Power Down**



**F-40 Electric Control**

**Common Features**

- Monarch power units with ElectroPak®
- Electric controls
- "F" Series cylinder
- Pressure set at 2700 psi
- Pump units shipped with weather box
- Pump mounted remotely to vehicle chassis

	<b>F-20, F-30</b>		<b>F-40</b>
	<b>Electric Control</b>	<b>Electric Control Power Down</b>	<b>Electric Control *</b>
<b>Reservoir</b>	Round	Round	Square
<b>Pump Box</b>	Plastic	Plastic	Steel
<b>Adapter</b>	Round	Round	Round
<b>Hydraulic Layout</b>	<b>PM-337</b>	<b>PM-341</b>	<b>PM-378</b>
<b>Electrical Layout &amp; Schematic</b>	<b>PM-343</b>	<b>PM-344</b>	<b>PM-343</b>
<b>Pump</b>	<b>PM-352</b>	<b>PM-354</b>	<b>PM-462</b>
<b>Cylinder</b>	<b>PM-263</b>	<b>PM-585</b>	<b>PM-211</b>

80101089 Rev. 04 7/04

\* Some F40's were shipped with Fenner power units in 1994.

[Click here for list of liftgate serial numbers, organized by approximate ship dates.](#)

# F-SERIES

(Manufactured from 3-96 thru 2-00)

<b>F-20, 30 Electric Control</b>	<b>F-20, 30 Electric Control Power Down</b>
<b>F-40 Electric Control</b>	<b>F-40 Electric Control Power Down</b>

## Common Features

- Monarch power units with ElectroPak® or ThermalPak® decal
- Electric controls
- "F" Series reduced maintenance cylinder (F-20,30 only)
- Pressure set at 2700 psi
- Pump mounted remotely to vehicle chassis
- Thermalpak discontinued 6-07
- Added Thermal Protection to all pumps 6-07

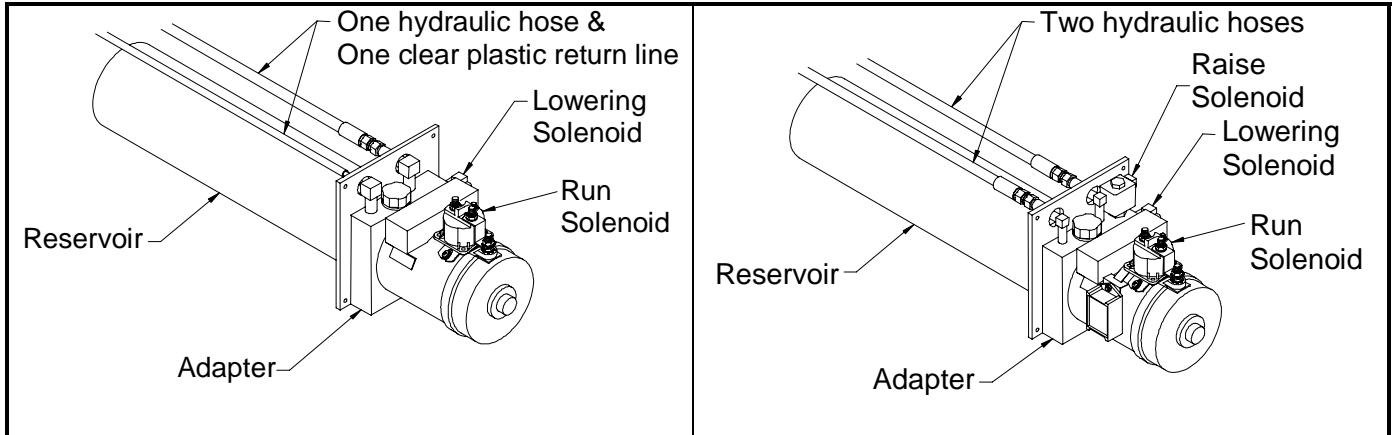
	F-20, F-30		F-40	
	Electric Control	Electric Control Power Down	Electric Control	Electric Control Power Down
<b>Reservoir</b>	Round	Round	Square	Round
<b>Pump Box</b>	Plastic	Plastic	Steel	Plastic
<b>Adapter</b>	Round	Round	Round	Round
<b>Hydraulic Layout</b>	<b>PM-375</b>	<b>PM-377</b>	<b>PM-378</b>	<b>PM-415</b>
<b>Electrical Layout &amp; Schematic</b>	<b>PM-343</b>	<b>PM-489</b>	<b>PM-343</b>	<b>PM-489</b>
<b>Pump</b>	<b>PM-352</b>	<b>PM-354</b>	<b>PM-462</b>	<b>PM-354</b>
<b>Cylinder</b>	<b>PM-263</b>	<b>PM-264</b>	<b>PM-211</b>	<b>PM-585</b>

[Click here for list of liftgate serial numbers, organized by approximate ship dates.](#)



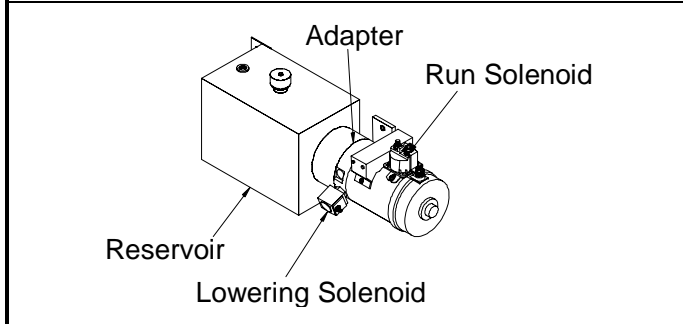
# F-SERIES

(Manufactured from 2-00 thru 3-03)

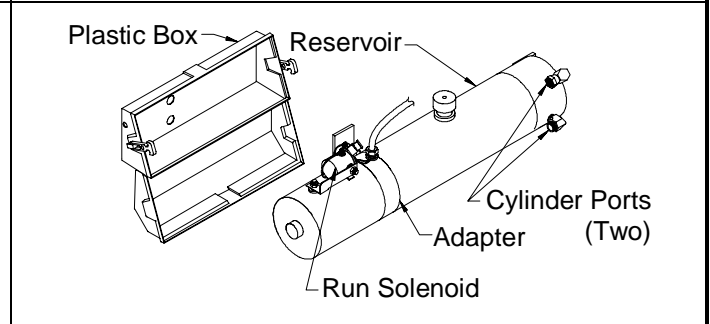


**F-20, 30 Electric Control**

**F-20, 30 Electric Control Power Down**



**F-40 Electric Control**



**F-40 Electric Control Power Down**

## Common Features

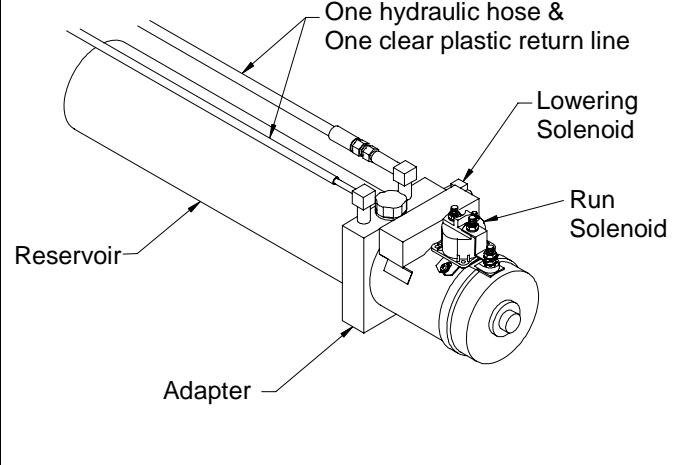
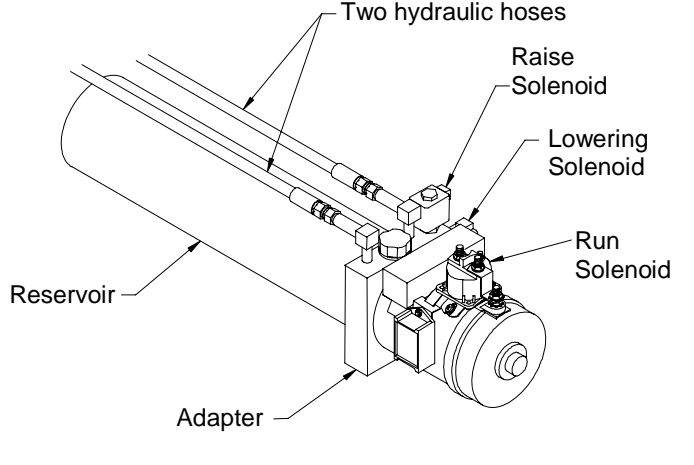
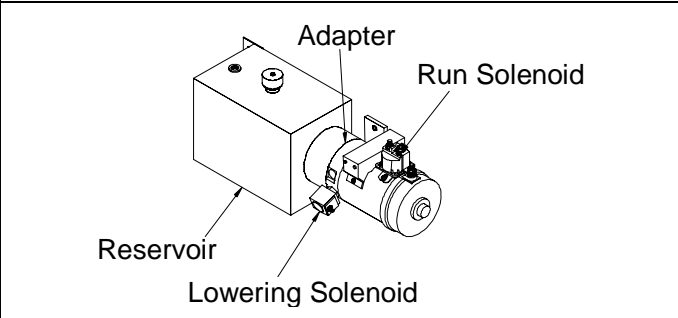
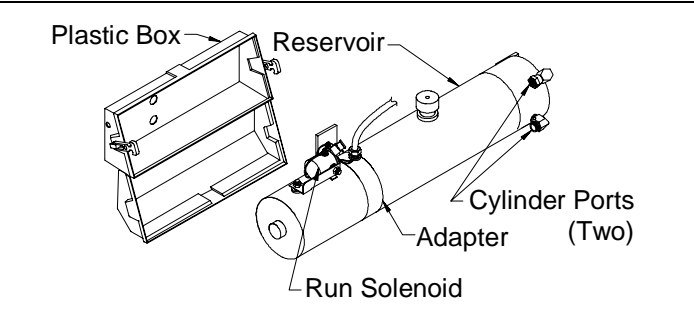
- Monarch power units with ElectroPak® or ThermalPak® decal
- Electric controls
- "F" Series reduced maintenance cylinder
- Pressure set at 2700 psi
- Pump units shipped with weather box
- Pump mounted to curb side of liftgate mount tube
- Thermalpak discontinued 6-07
- Added Thermal Protection to all pumps 6-07

	F-20, F-30		F-40	
	Electric Control	Electric Control Power Down	Electric Control	Electric Control Power Down
<b>Reservoir</b>	Round	Round	Square	Round
<b>Pump Box</b>	Plastic	Plastic	Steel	Plastic
<b>Adapter</b>	Round	Round	Round	Round
<b>Hydraulic Layout</b>	<a href="#">PM-519</a>	<a href="#">PM-520</a>	<a href="#">PM-414</a>	<a href="#">PM-415</a>
<b>Electrical Layout &amp; Schematic</b>	<a href="#">PM-617</a>	<a href="#">PM-618</a>	<a href="#">PM-617</a>	<a href="#">PM-618</a>
<b>Pump</b>	<a href="#">PM-555</a>	<a href="#">PM-556</a>	<a href="#">PM-462</a>	<a href="#">PM-354</a>
<b>Cylinder</b>	<a href="#">PM-263</a>	<a href="#">PM-264</a>	<a href="#">PM-211</a>	<a href="#">PM-585</a>

[Click here for list of liftgate serial numbers, organized by approximate ship dates.](#) 80101090 Rev. 07 3/11

# F-SERIES

(Manufactured from 3-03 thru 3-04)

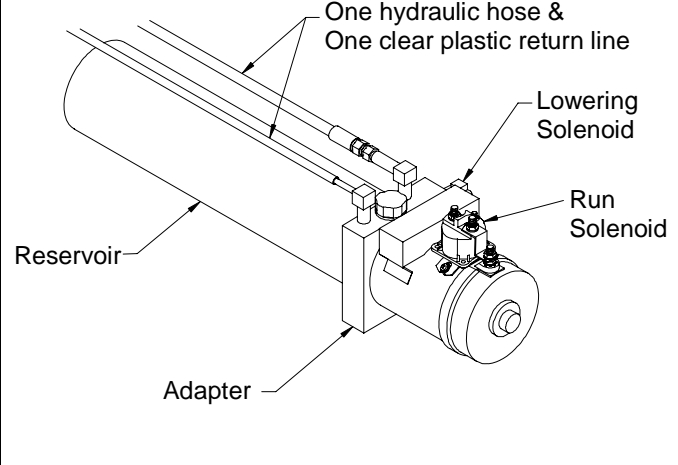
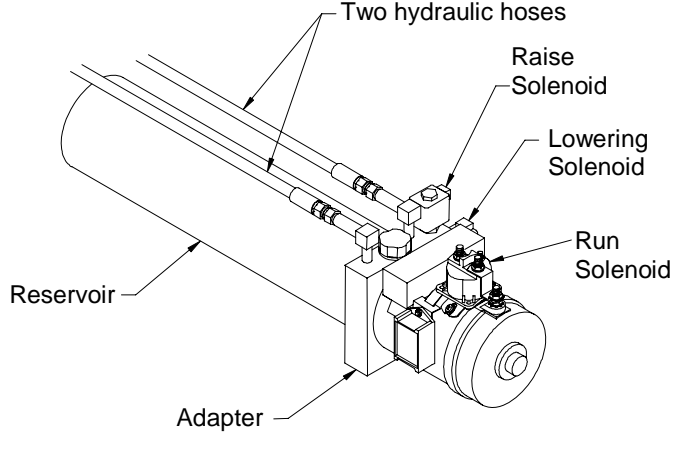
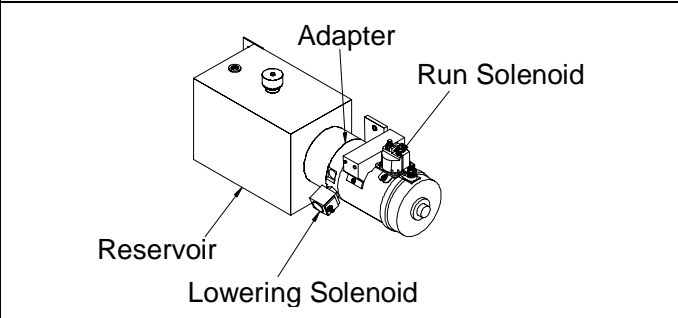
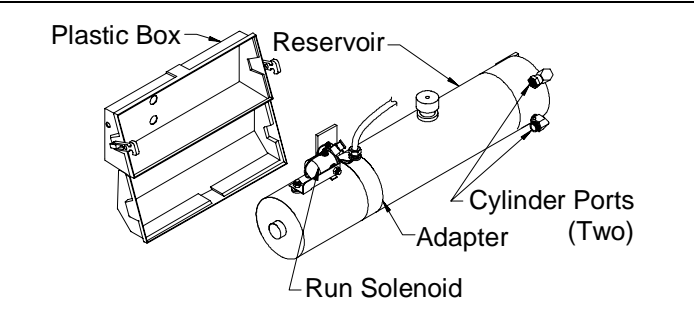
				
<b>F-20, 30 Electric Control</b>	<b>F-20, 30 Electric Control Power Down</b>			
				
<b>F-40 Electric Control</b>	<b>F-40 Electric Control Power Down</b>			
<p><b>Common Features</b></p> <ul style="list-style-type: none"> <li>• Monarch power units with ElectroPak® or ThermalPak® decal</li> <li>• Electric controls</li> <li>• "F" Series reduced maintenance cylinder</li> <li>• Pressure set at 2700 psi</li> <li>• Pump units shipped with weather box</li> <li>• Pump mounted to curb side of liftgate mount tube</li> <li>• Thermalpak discontinued 6-07</li> <li>• Added Thermal Protection to all pumps 6-07</li> </ul>				
	<b>F-20, F-30</b>	<b>F-40</b>		
	<b>Electric Control</b>	<b>Electric Control Power Down</b>	<b>Electric Control</b>	<b>Electric Control Power Down</b>
<b>Reservoir</b>	Round	Round	Square	Round
<b>Pump Box</b>	Plastic	Plastic	Steel	Plastic
<b>Adapter</b>	Round	Round	Round	Round
<b>Hydraulic Layout</b>	<b>PM-519A</b>	<b>PM-520A</b>	<b>PM-414</b>	<b>PM-415</b>
<b>Electrical Layout &amp; Schematic</b>	<b>PM-617</b>	<b>PM-618</b>	<b>PM-343A</b>	<b>PM-489</b>
<b>Pump</b>	<b>PM-555</b>	<b>PM-556</b>	<b>PM-462</b>	<b>PM-354</b>
<b>Cylinder</b>	<b>PM-263</b>	<b>PM-264</b>	<b>PM-211</b>	<b>PM-585</b>

80101090 Rev. 07 3/11

[Click here for list of liftgate serial numbers, organized by approximate ship dates.](#)

# F-SERIES

(Manufactured from 3-04 thru 7-04)

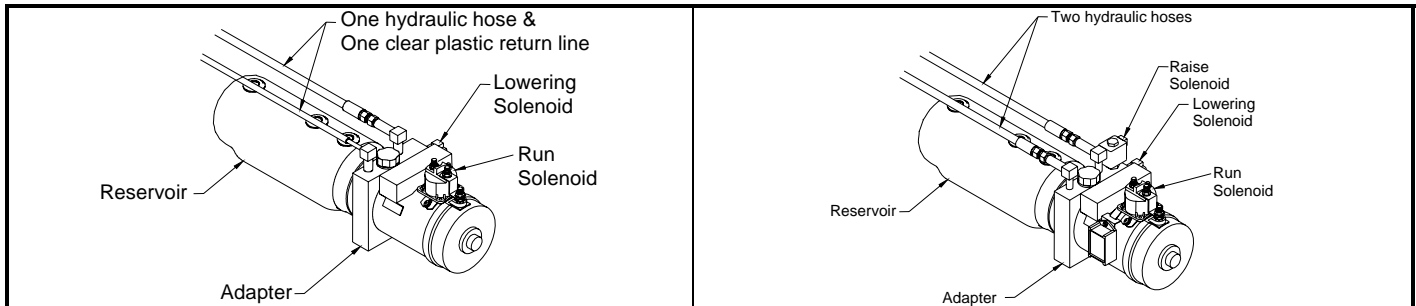
				
<b>F-20, 30 Electric Control</b>	<b>F-20, 30 Electric Control Power Down</b>			
				
<b>F-40 Electric Control</b>	<b>F-40 Electric Control Power Down</b>			
<p><b>Common Features</b></p> <ul style="list-style-type: none"> <li>• Monarch power units with ElectroPak® or ThermalPak® decal</li> <li>• Electric controls</li> <li>• "F" Series reduced maintenance cylinder</li> <li>• Pressure set at 2700 psi</li> <li>• Pump units shipped with weather box</li> <li>• Pump mounted to curb side of liftgate mount tube</li> <li>• Thermalpak discontinued 6-07</li> <li>• Added Thermal Protection to all pumps 6-07</li> </ul>				
	<b>F-20, F-30</b>	<b>F-40</b>		
	<b>Electric Control</b>	<b>Electric Control Power Down</b>	<b>Electric Control</b>	<b>Electric Control Power Down</b>
<b>Reservoir</b>	Round	Round	Square	Round
<b>Pump Box</b>	Plastic	Plastic	Steel	Plastic
<b>Adapter</b>	Round	Round	Round	Round
<b>Hydraulic Layout</b>	<b>PM-619</b>	<b>PM-620</b>	<b>PM-414</b>	<b>PM-415</b>
<b>Electrical Layout &amp; Schematic</b>	<b>PM-617</b>	<b>PM-618</b>	<b>PM-343A</b>	<b>PM-489</b>
<b>Pump</b>	<b>PM-555</b>	<b>PM-556</b>	<b>PM-462</b>	<b>PM-354</b>
<b>Cylinder</b>	<b>PM-263</b>	<b>PM-264</b>	<b>PM-211</b>	<b>PM-585</b>

80101090 Rev. 07 3/11

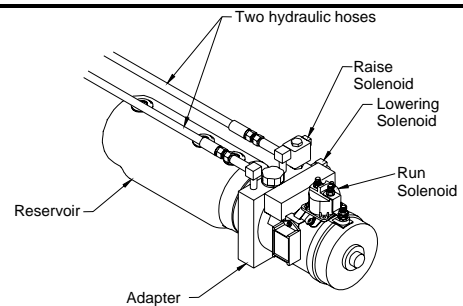
[Click here for list of liftgate serial numbers, organized by approximate ship dates.](#)

# F-SERIES

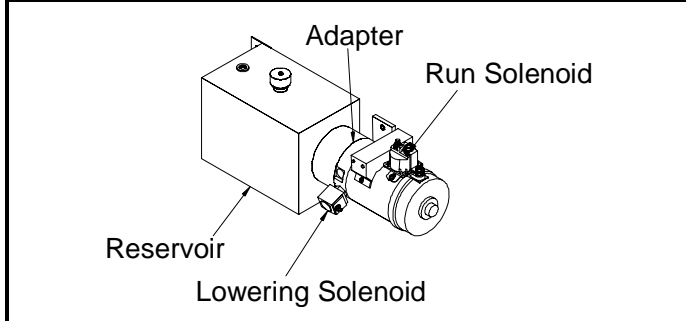
(Manufactured from 7-04)



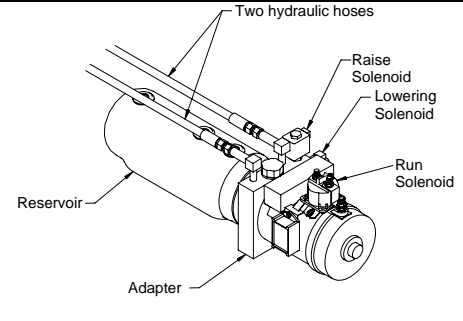
**F-20, 30 Electric Control**



**F-20, 30 Electric Control Power Down**



**F-40 Electric Control**



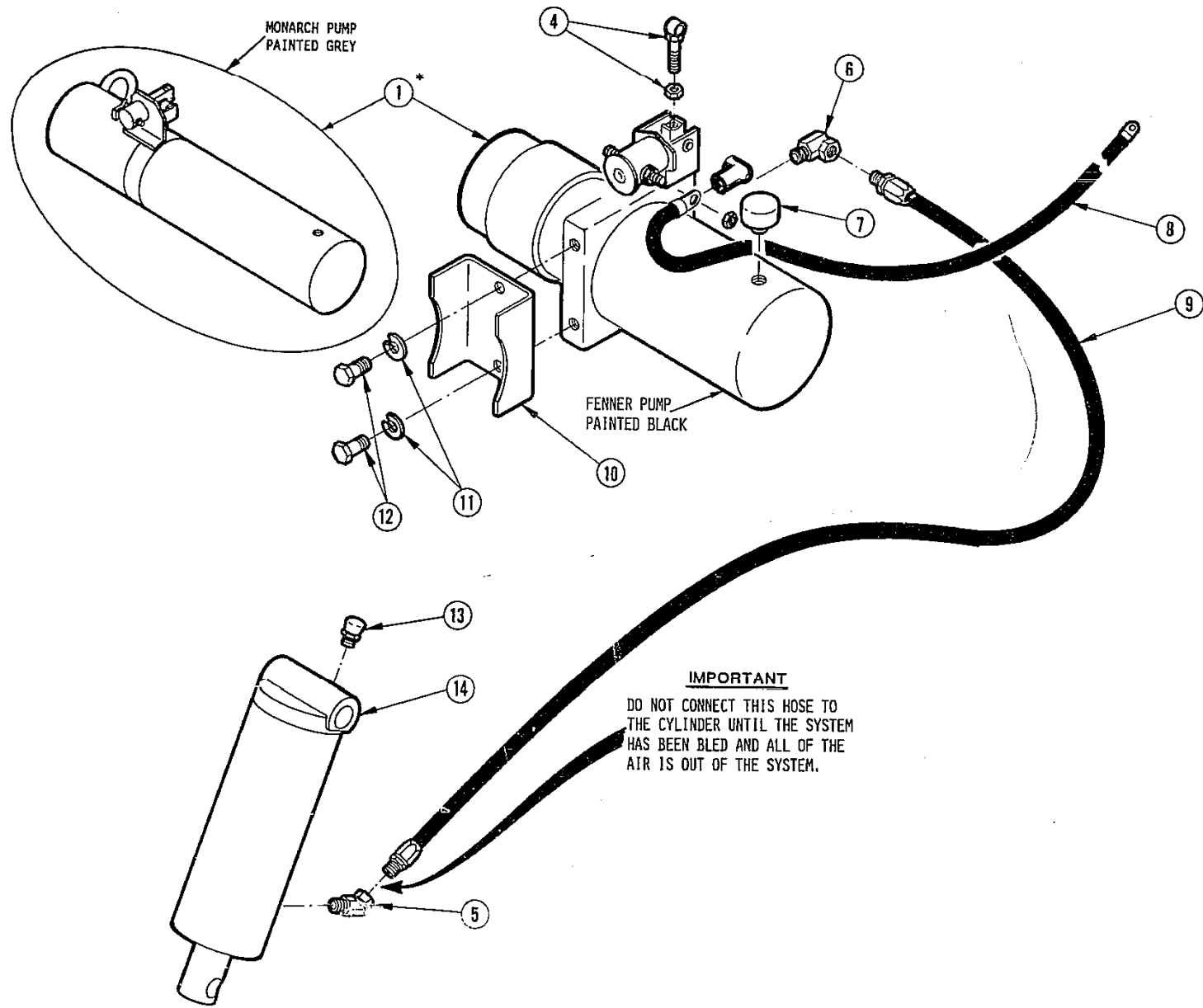
**F-40 Electric Control Power Down**

**Common Features**

- Monarch power units with ElectroPak® or ThermalPak® decal
- Electric controls
- "F" Series reduced maintenance cylinder
- Pressure set at 2700 psi
- Pump units shipped with weather box
- Pump mounted to curb side of liftgate mount tube
- Thermalpak discontinued 6-07
- Added Thermal Protection to all pumps 6-07

	F-20, F-30		F-40	
	Electric Control	Electric Control Power Down	Electric Control	Electric Control Power Down
<b>Reservoir</b>	Round	Round	Square	Round
<b>Pump Box</b>	Plastic	Plastic	Steel	Plastic
<b>Adapter</b>	Round	Round	Round	Round
<b>Hydraulic Layout</b>	<b>PM-619</b> (7-04 thru 6-10)  <b>PM-619A</b> (From 6-10)	<b>PM-620</b> (7-04 thru 6-10)  <b>PM-620A</b> (From 6-10)	<b>PM-414</b>	<b>PM-415A</b>
<b>Electrical Layout &amp; Schematic</b>	<b>PM-617</b> (7-04 thru 7-08)  <b>PM-617A</b> (7-08 thru 8-09)  <b>PM-617B</b> (From 8-09)	<b>PM-618</b> (7-04 thru 7-08)  <b>PM-618A</b> (7-08 thru 10-08)  <b>PM-618B</b> (10-08 thru 8-09)  <b>PM-618C</b> (From 8-09)	<b>PM-617</b> (7-04 thru 7-08)  <b>PM-617A</b> (From 7-08)	<b>PM-618</b> (7-04 thru 7-08)  <b>PM-618A</b> (7-08 thru 10-08)  <b>PM-618B</b> (From 10-08)
<b>Pump</b>	<b>PM-555</b>	<b>PM-556</b>	<b>PM-462</b>	<b>PM-556</b>
<b>Cylinder</b>	<b>PM-263</b>	<b>PM-263</b>	<b>PM-211</b>	<b>PM-211</b>

**F-20, 30 ELECTRO HYDRAULIC LAYOUT**  
(Built thru 2-94)



**WALTCO**  
TRUCK EQUIPMENT CO.  
F-SERIES

REVISED: 7-1-04  
E.O. 5221D  
REV. 03

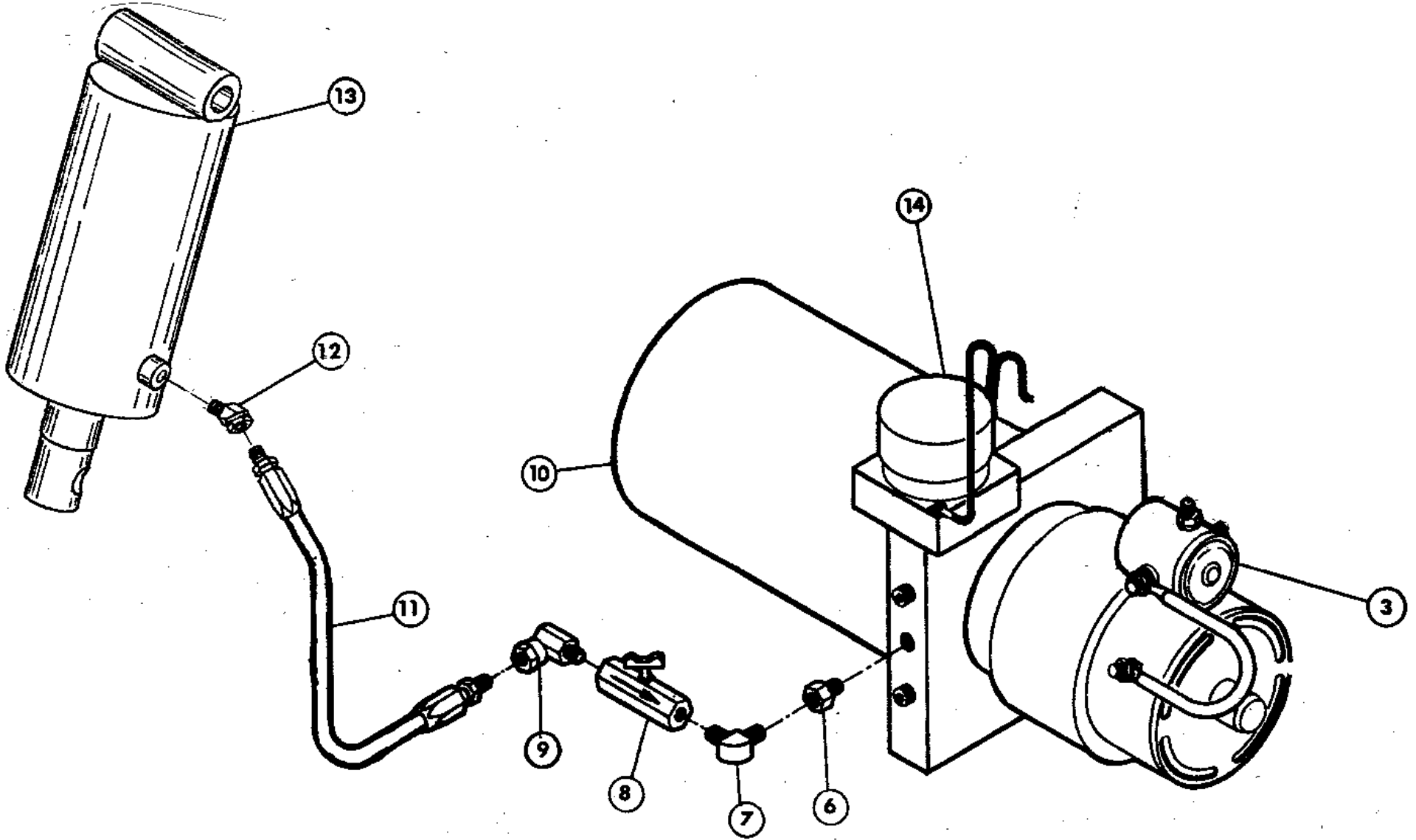
**PM-57**

ITEM	PART NUMBER	QTY	DESCRIPTION
1	22195000 *♦	1	Hydraulic Pump Unit (Fenner Stone)
	22195050 *♦	1	Hydraulic Pump Unit (Monarch)
2	75089327	1	Rubber Boot
3	75085005	1	3/8"-16 Hex Nut
4	20294002	1	Valve Handle
5	22195200	1	Weather Cover
6	75083036	1	3/8" x 90° Elbow
7	70091270	1	Pump Breather Cap
8	10195625	1	4 GA. x 25 Foot Battery Cable
9	75083055	1	3/8" I.D. x 22" Hose Assembly
10	20220900	1	Pump Mounting Bracket
11	75088081	2	3/8" Lock Washer
12	75086055	2	3/8"-16 x 3/4" Hex Head Screw
13	75089310	1	Cylinder Breather Cap
14	20280010	1	Hydraulic Cylinder
15	75083017	1	3/8" x 45° Elbow

NOTES:

- \* Refer to Model & Serial Number on Pump Reservoir when ordering replacement parts or a new Pump.
- ♦ When ordering a complete replacement pump. Please use Part Number [70400300](#)

**HYDRAULIC LAYOUT FOR ELECTRIC CONTROL**  
(Built thru 2-94)



**WALTCO**  
TRUCK EQUIPMENT CO.  
F, FSL, D-Series

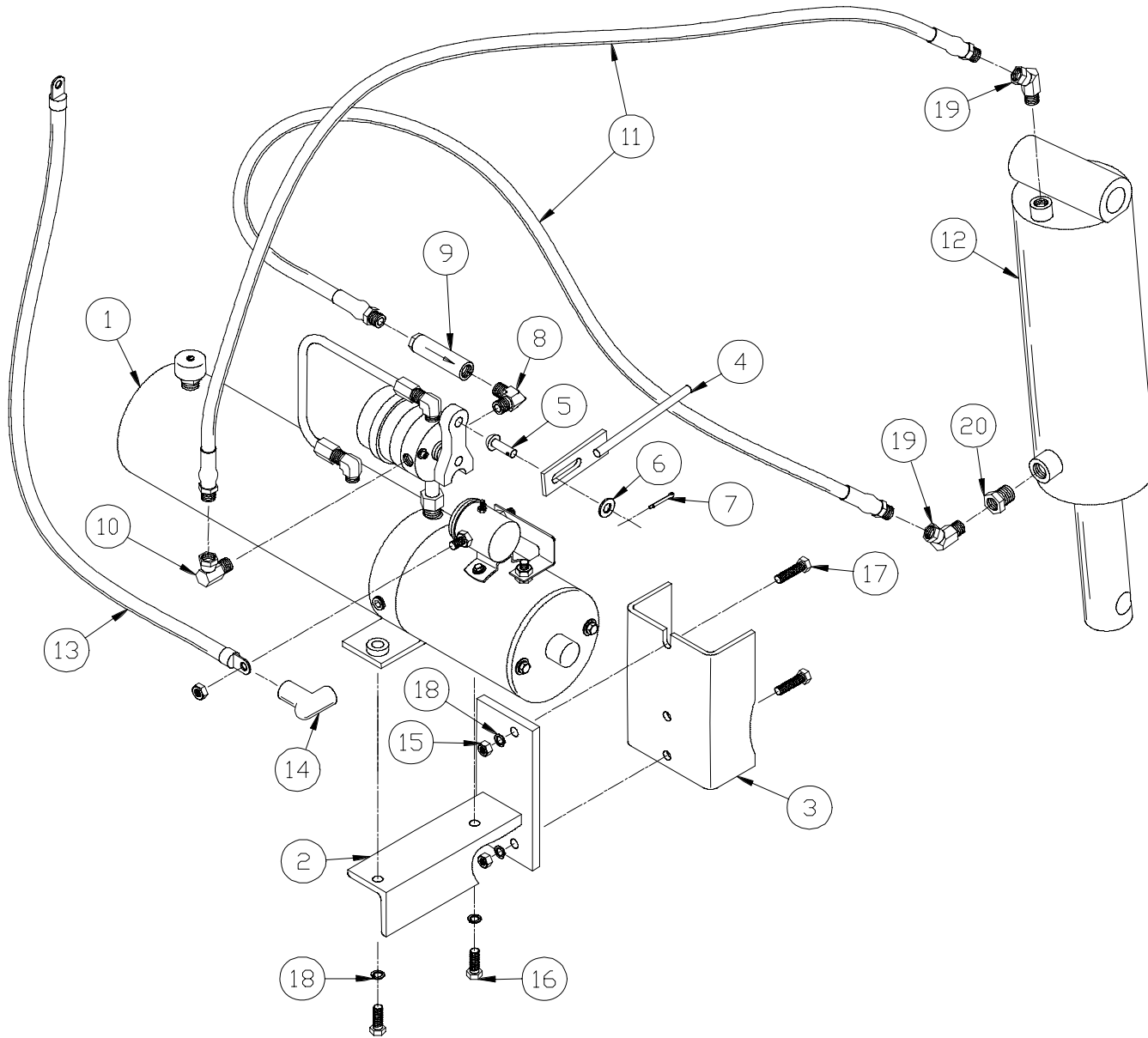
REVISED: 4-1-05  
E.O. 5221G  
REV. 04

**80100125**

ITEM	PART NUMBER	QTY	DESCRIPTION
3	80001065	1	Solenoid Kit
6	75082908	1	Adapter
7	75082611	1	90° Male Elbow
8	70189860	1	Pneutrol Valve
9	75083037	1	90° Swivel Elbow
10	<a href="#">30195000</a> <sup>A</sup>	1	Hydraulic Pump Unit
11	75083055	1	Hose Assembly
12	75083017	1	45° Swivel Elbow
13	<a href="#">20280010</a>	1	Hydraulic Cylinder (F Series Only)
	<a href="#">20280050</a>	1	Hydraulic Cylinder (FSL & D Series Only)
14	70091631	1	Release Solenoid

A. When ordering a complete replacement pump, please use part number [70400000](#)

**F-20, F-30 POWER DOWN ELECTRO HYDRAULIC LAYOUT**  
(Built thru 2-94)



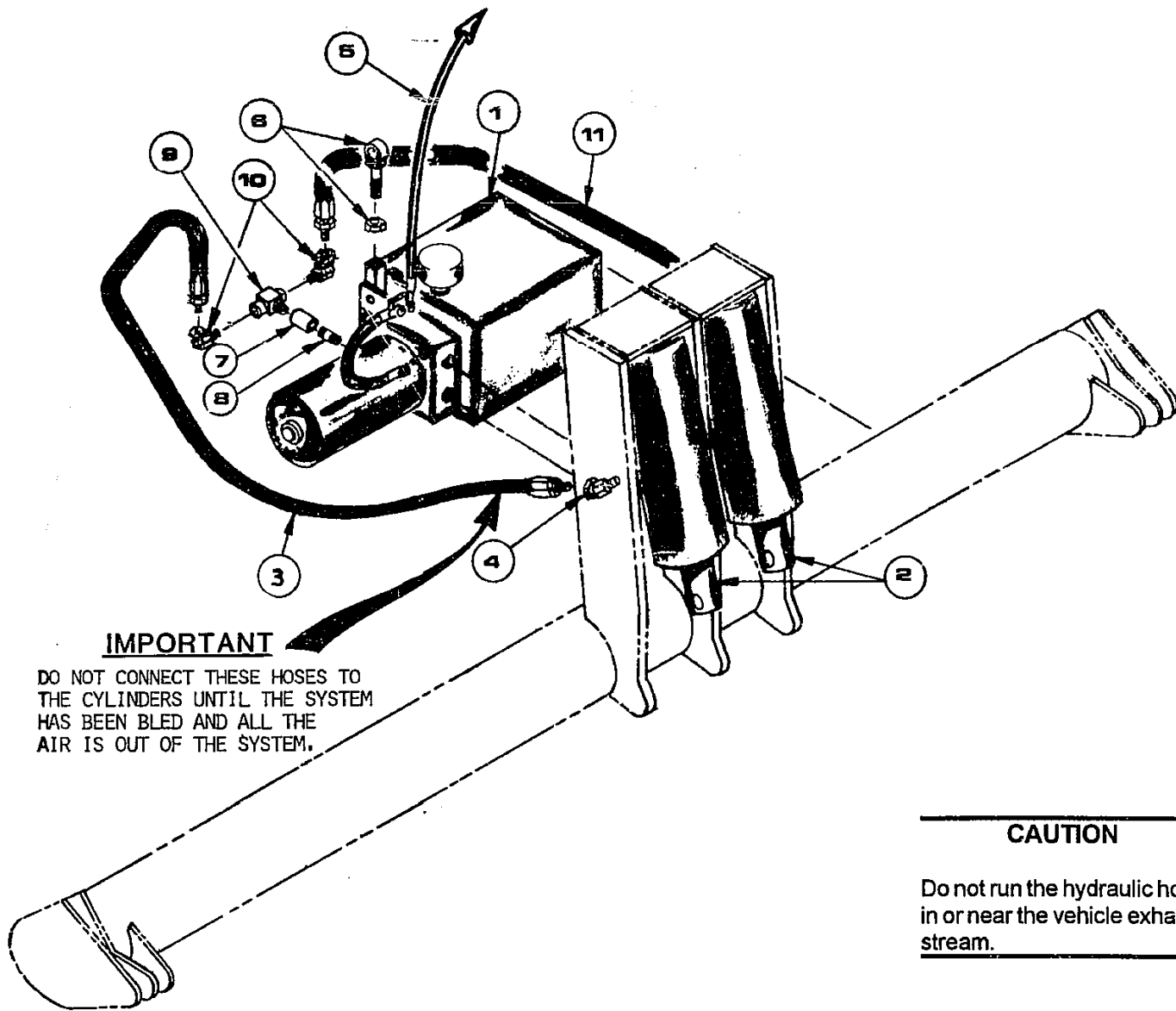
**WALTCO**  
TRUCK EQUIPMENT CO.  
F-20, F-30

REVISED: 9-92

**PM-271**

ITEM	PART NUMBER	QTY	DESCRIPTION
1	20295000	1	Pump Unit, Power Down
2	20221002	1	Pump Bracket Adapter
3	20220900	1	Pump Bracket
4	20291501	1	Slide Assembly
5	75089531	1	5/16" Dia. x 23/32" Clevis Pin
6	75088052	1	5/16" Flat Washer
7	75084053	1	3/32" Dia. x 1" Cotter Pin
8	75082611	1	1/4" NPT x 90° Swivel Elbow
9	70110040	1	Flow Control Valve
10	75083031	1	1/4" NPT x 90° Swivel Elbow
11	75083066	2	1/4" ID x 19" Hose Assembly
12	20280090	1	Hydraulic Cylinder
13	10195625	1	4 Ga. x 25 ft. Battery Cable
14	75089327	1	Rubber Boot
15	75085005	2	3/8"-16 Hex Nut
16	75086055	2	3/8"-16 x 3/4" Hex Bolt (Grade 5)
17	75086058	2	3/8"-16 x 1-1/2" Hex Bolt (Grade 5)
18	75088081	4	3/8" Lock Washer
19	75083016	2	1/4" NPT x 45° Swivel Elbow
20	75082908	1	3/8" NPT x 1/4" NPT Bushing

**F-40 ELECTRO HYDRAULIC LAYOUT**  
(Built thru 2-94)



**WALTCO**  
TRUCK EQUIPMENT CO.  
F-40

REVISED: 7-1-04  
E.O. 5221D  
REV. 03

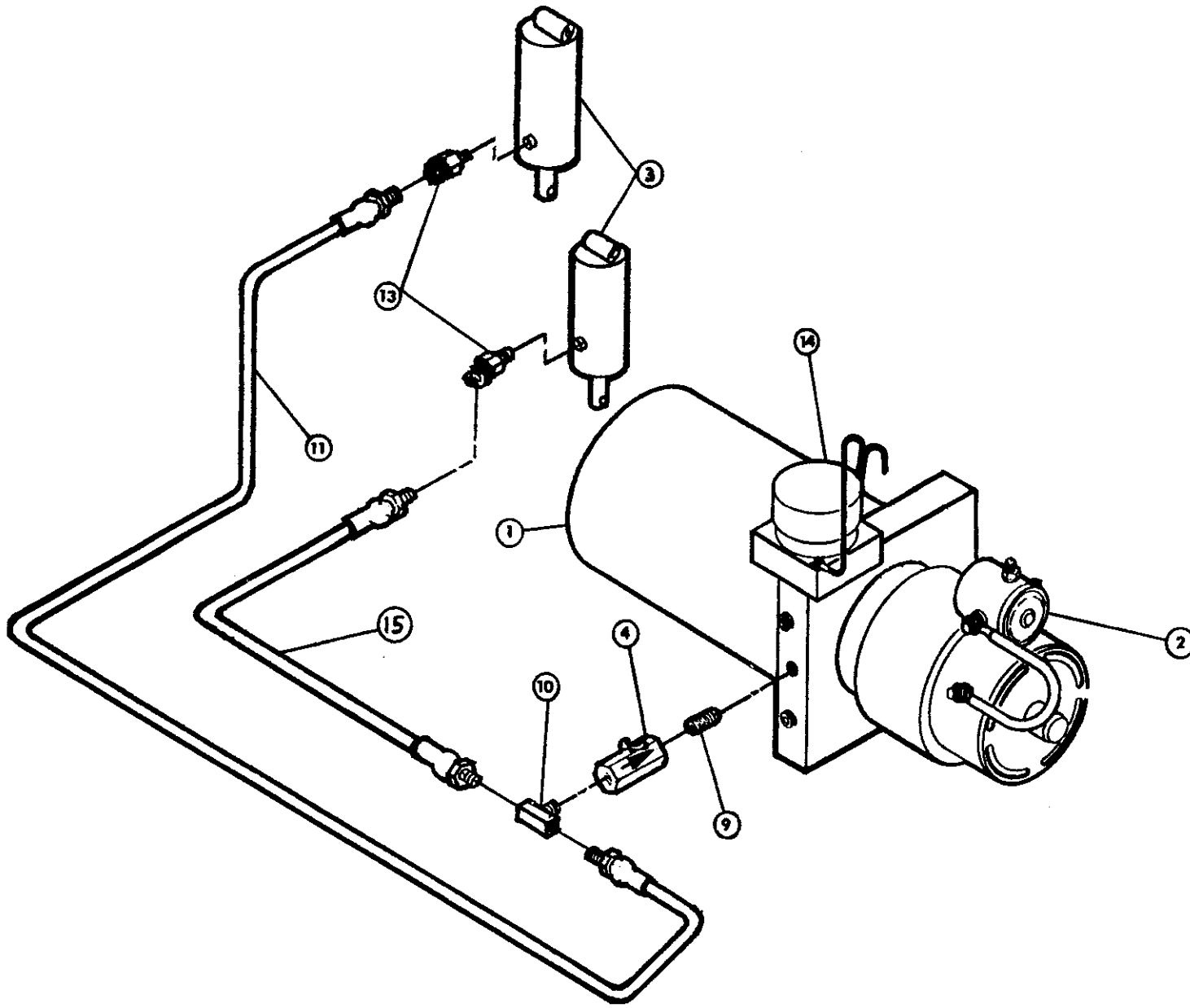
**PM-17**

ITEM	PART NUMBER	QTY	DESCRIPTION
1	20495000 <sup>A</sup>	1	Pump Unit
2	20280050	2	Hydraulic Cylinder
3	75083055	1	3/8" ID x 22" Hose Assembly
4	75083017	2	3/8" x 45° Elbow
5	10195625	1	2 Ga. x 25 ft. Battery Cable
6	20294002	1	Valve Lever Assembly
7	75082612	1	3/8" Pipe Coupling
8	75082613	1	3/8" x 1" Close Pipe Nipple
9	75082859	1	3/8" Tee, Male on Side
10	75083036	2	3/8" x 90° Elbow
11	75083067	1	3/8" ID x 30" Hose Assembly

A. When ordering a complete replacement pump, please use part number [70400475](#)



**HYDRAULIC LAYOUT FOR ELECTRIC CONTROL**  
(Built thru 2-94)



**WALTCO**  
TRUCK EQUIPMENT CO.  
F-40

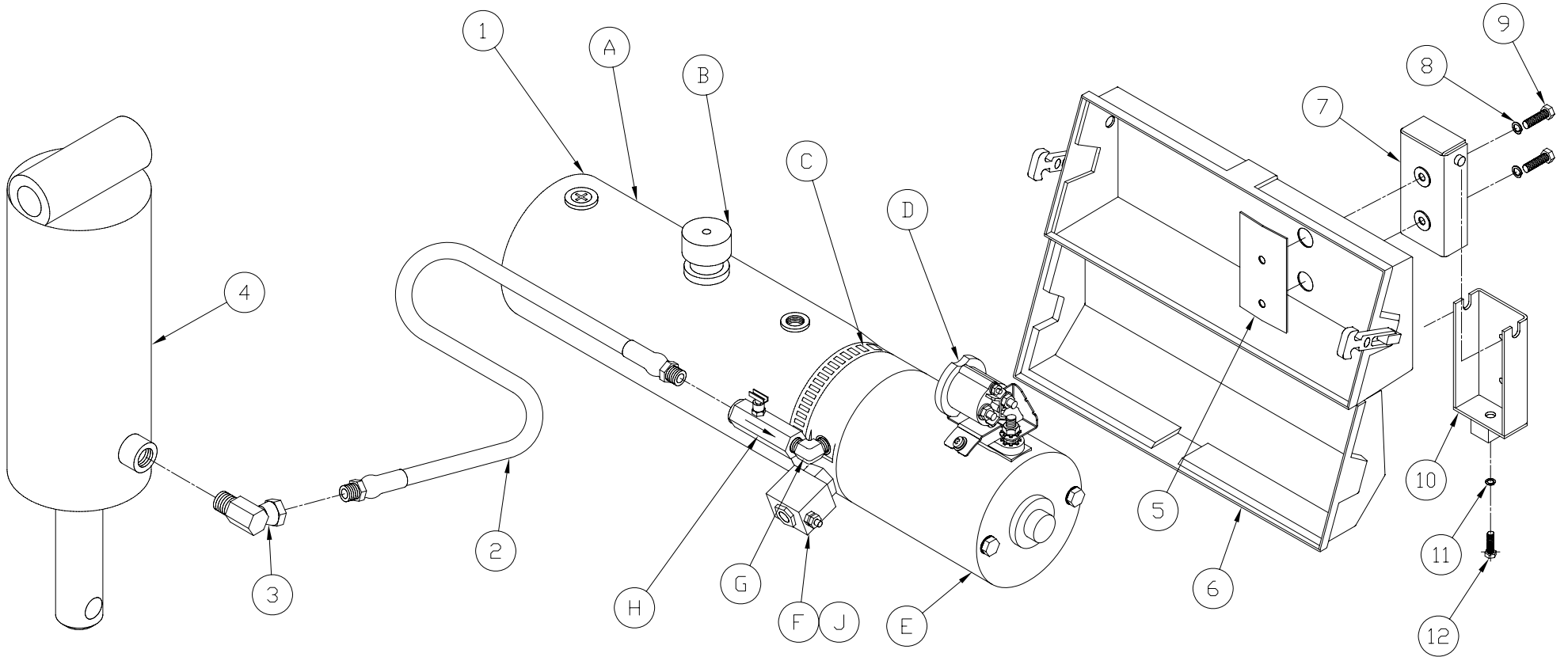
REVISED: 9-1-04  
E.O. 5221F  
REV. 03

**80100494**

ITEM	PART NUMBER	QTY	DESCRIPTION
1	<a href="#">35495001</a> <sup>A</sup>	1	Hydraulic Pump Unit (Set @ 2700 PSI)
2	75089831	1	Solenoid
3	<a href="#">20280050</a>	1	Hydraulic Cylinder Assembly
4	70189861	1	Pneutrol Valve
9	75082613	1	Pipe Nipple
10	75082859	1	Tee, Male on Side
11	75083055	1	Hose Assembly
13	75083017	1	45° Swivel Elbow
14	70091631	1	Release Solenoid
15	75083067	1	Hose Assembly

A. When ordering a complete replacement pump, please use part number [70400150](#)

**F-20, 30, FSL-20, 25, 30, D, E-SERIES ELECTRIC CONTROLS ELECTROPAK**  
 (Built 2-94 thru 8-97)



**WALTCO**  
**TRUCK EQUIPMENT CO.**  
**F-20, F-30, FSL-20, 25, 30, D, E**  
**Series**

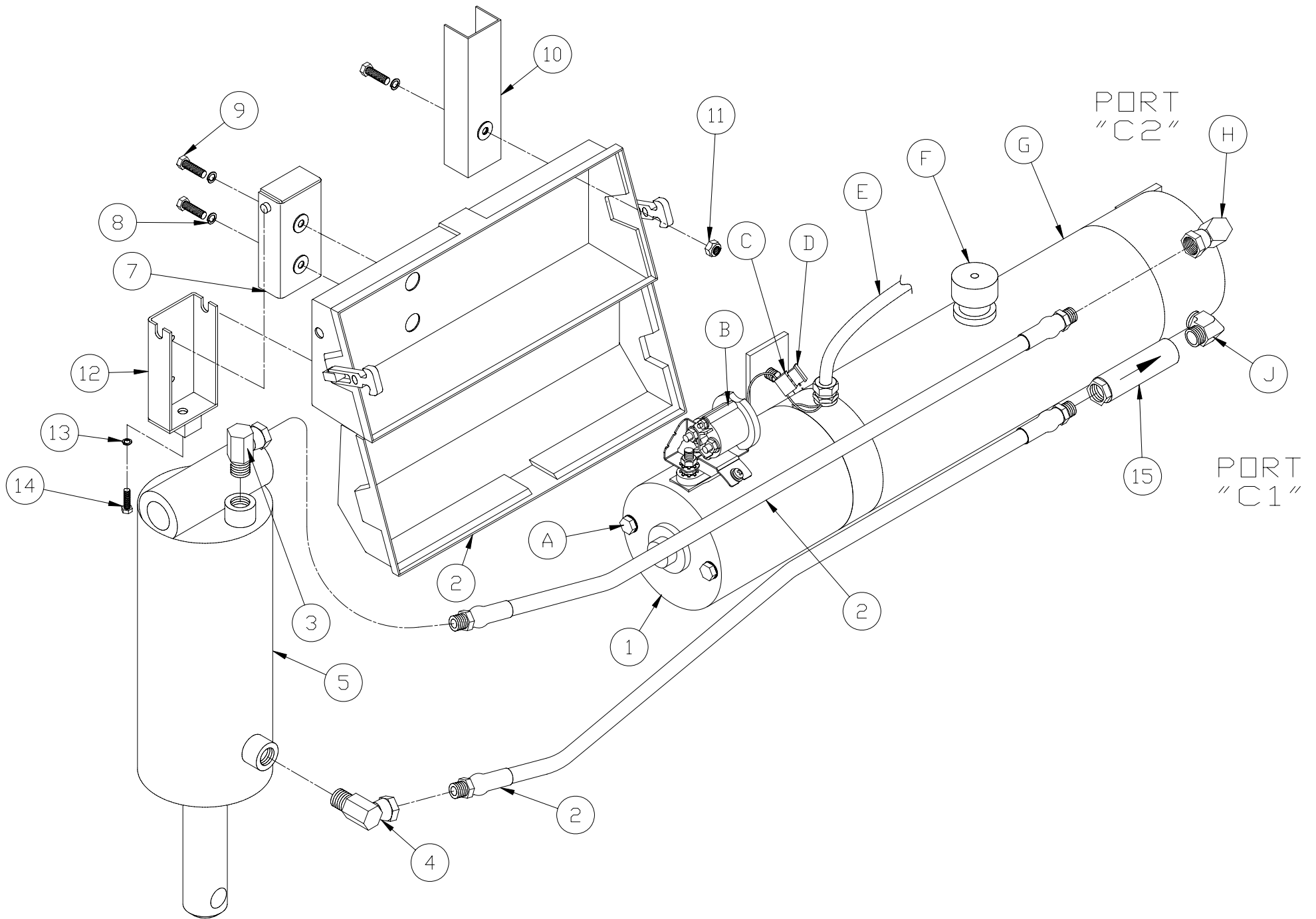
REVISED: 8-1-09  
 E.O. 6251  
 REV. 05

**PM-337**

ITEM	PART NUMBER	QTY	DESCRIPTION
1	70400000	1	Hydraulic Pump Unit
A	70400001*	1	Hydraulic Reservoir
B	70091734*	1	Breather
C	70400002*	1	Reservoir Clamp
D	80001065	1	Solenoid Kit
E	7043001-1*	1	Motor
F	70092503*	1	Valve Assembly, 2-way, 2 position w/ Coil
G	75082611*	1	90° Male Elbow
H	70189860*	1	Flow Control Valve
J	70402303*	1	Coil, 10V, 25A
2	75083073	1	Hose Assembly
3	75083018	1	45° Swivel Elbow
4	20280010	1	Hydraulic Cylinder (F-20,30 & E Series Only)
	20280050	1	Hydraulic Cylinder (FSL-20,25,30 & D Series Only)
5	10021400	1	Pump Bracket Plate
6	10090500	1	Pump Cover Assembly
7	10021000	1	Pump Mounting Bracket
8	75088081	2	3/8" Lock Washer
9	75086056	2	Hex Bolt, 3/8"-16 x 1" lg., Grade 5
10	10021500	1	Pump Mounting Bracket
11	75088083	1	1/2" Lock Washer
12	75086108	1	Hex Bolt, 1/2"-13 x 1-1/2" lg., Grade 2

\* These parts included in 70400000 Assembly  
 Parts 1,5-9 included in 10090800 Hydraulic Assembly

**F-20, 30 & E SERIES ELECTRIC CONTROLS, POWER DOWN ELECTROPAK**  
 (Built 2-94 thru 3-96)



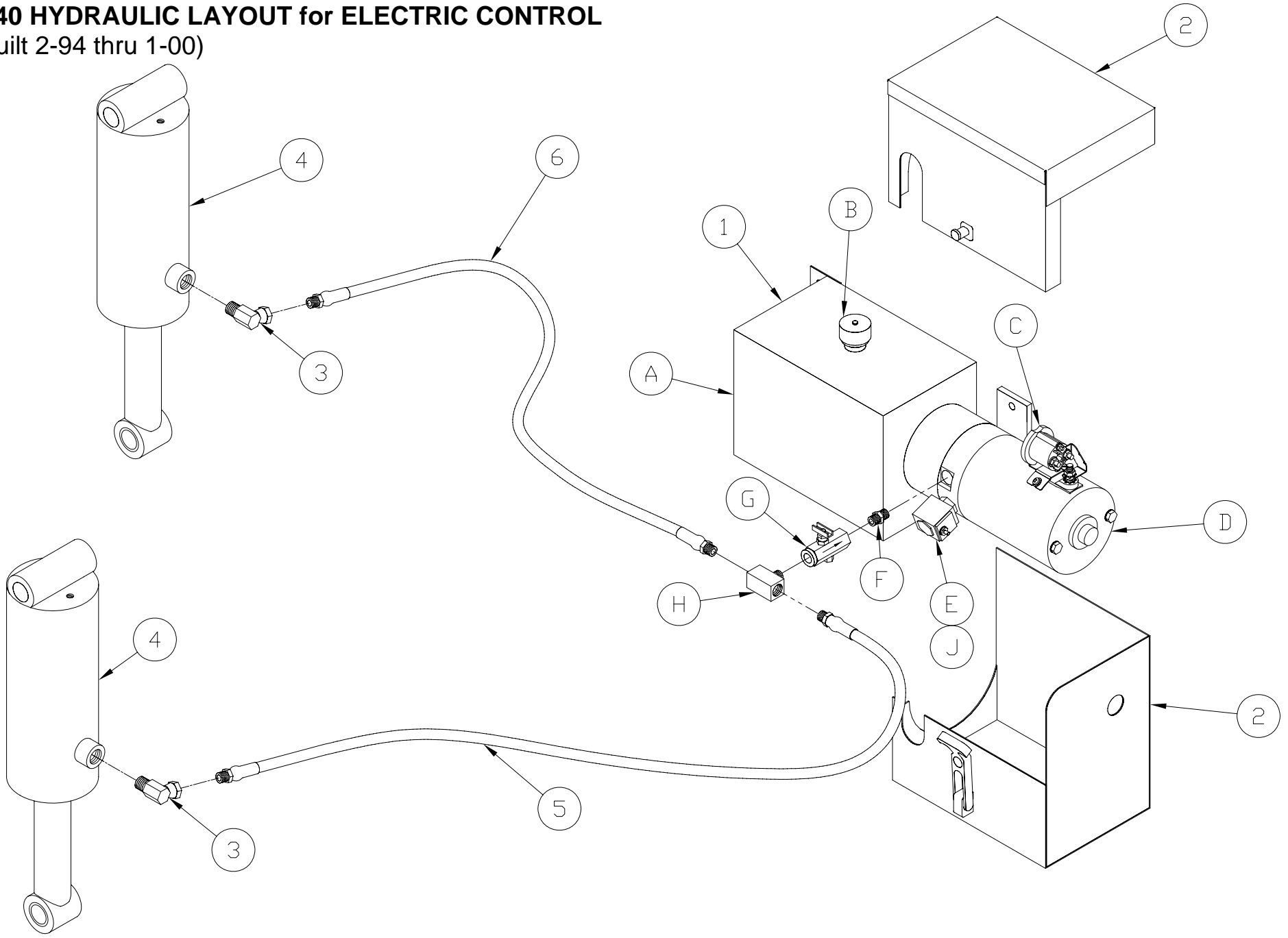
**WALTCO**  
**TRUCK EQUIPMENT CO.**  
**F-20, 30 & E SERIES**

REVISED: 8-1-09  
 E.O. No. 6251  
 REV. 04

**PM-341**

ITEM	PART NUMBER	QTY	DESCRIPTION
1	70400025	1	Hydraulic Pump Unit
*A	7043001-1	1	Motor
*B	80001065	1	Solenoid Kit
*C	75089850	1	Fuse Holder
*D	75089852	1	20 AMP Fuse
*E	70400026	1	Control Cord
*F	70091734	1	Breather
*G	70400027	1	Hydraulic Reservoir
*H	75083031	1	90° Swivel Elbow
*J	75082611	1	90° Male Elbow
2	75083073	2	Hose Assembly
3	75083016	1	45° Swivel Elbow
4	75083018	1	45° Swivel Elbow
5	20280090	1	Hydraulic Cylinder
6	10090500	1	Pump Cover Assembly
7	10021000	1	Pump Mounting Bracket
8	75088081	3	3/8" Lock Washer
9	75086056	3	Hex Bolt, 3/8"-16 x 1" LG., Grade 5
10	10022000	1	Pump Mounting Bracket Channel
11	75085193	1	Flex Nut, 3/8"-16
12	10021500	1	Pump Mounting Bracket
13	75088083	1	1/2" Lock Washer
14	75086108	1	Hex Bolt, 1/2"-13 x 1-1/2" LG., Grade 2
15	70110040	1	Flow Control Valve

**F-40 HYDRAULIC LAYOUT for ELECTRIC CONTROL**  
(Built 2-94 thru 1-00)



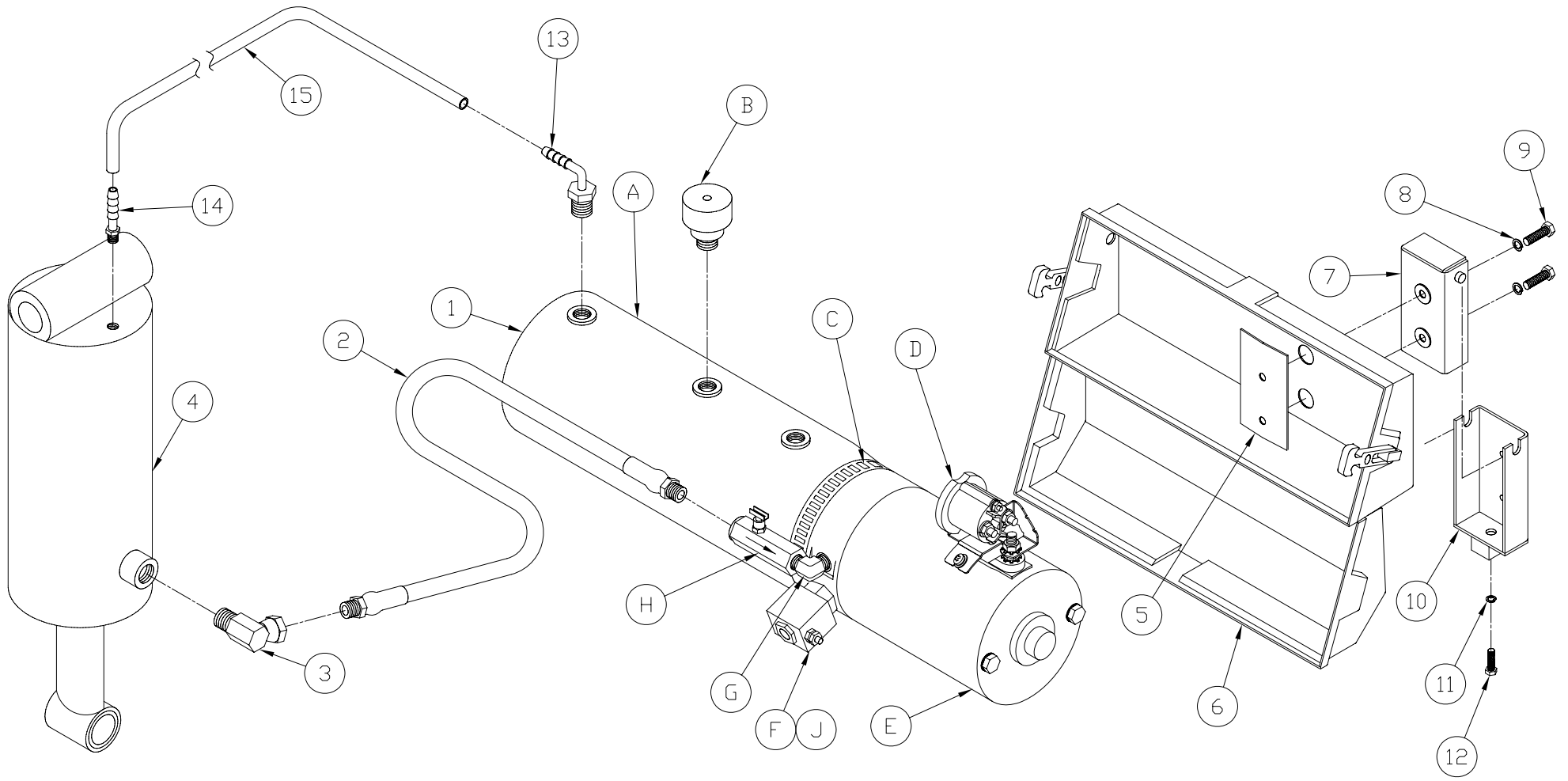
**WALTCO**  
**TRUCK EQUIPMENT CO.**  
**F-40**

REVISED: 8-1-09  
E.O. 6251  
REV. 04

**PM-378**

ITEM	PART NUMBER	QTY	DESCRIPTION
1	70400150	1	Hydraulic Pump Unit
*A	-----	1	Hydraulic Reservoir
*B	70091734	1	Breather
*C	80001065	1	Solenoid Kit
*D	7043001-1	1	Motor
*E	70092503	1	Valve Assembly, 2-way, 2 position w/ Coil
*F	75082613	1	3/8" Nipple
*G	70189861	1	Flow Control Valve
*H	75082859	1	Tee Male on Side
*J	70402303	1	Coil, 10V, 25A
2	20690500	1	Hydraulic Enclosure
3	75083017	1	45° Swivel Elbow
4	20280050	2	Hydraulic Cylinder
5	75083055	1	3/8" x 22" Hose Assembly
6	75083067	1	3/8" x 30" Hose Assembly

**REDUCED MAINTENANCE ELECTRIC CONTROLS, ELECTROPAK**  
(Built 3-96 thru 2-00)



**WALTCO**  
TRUCK EQUIPMENT CO.

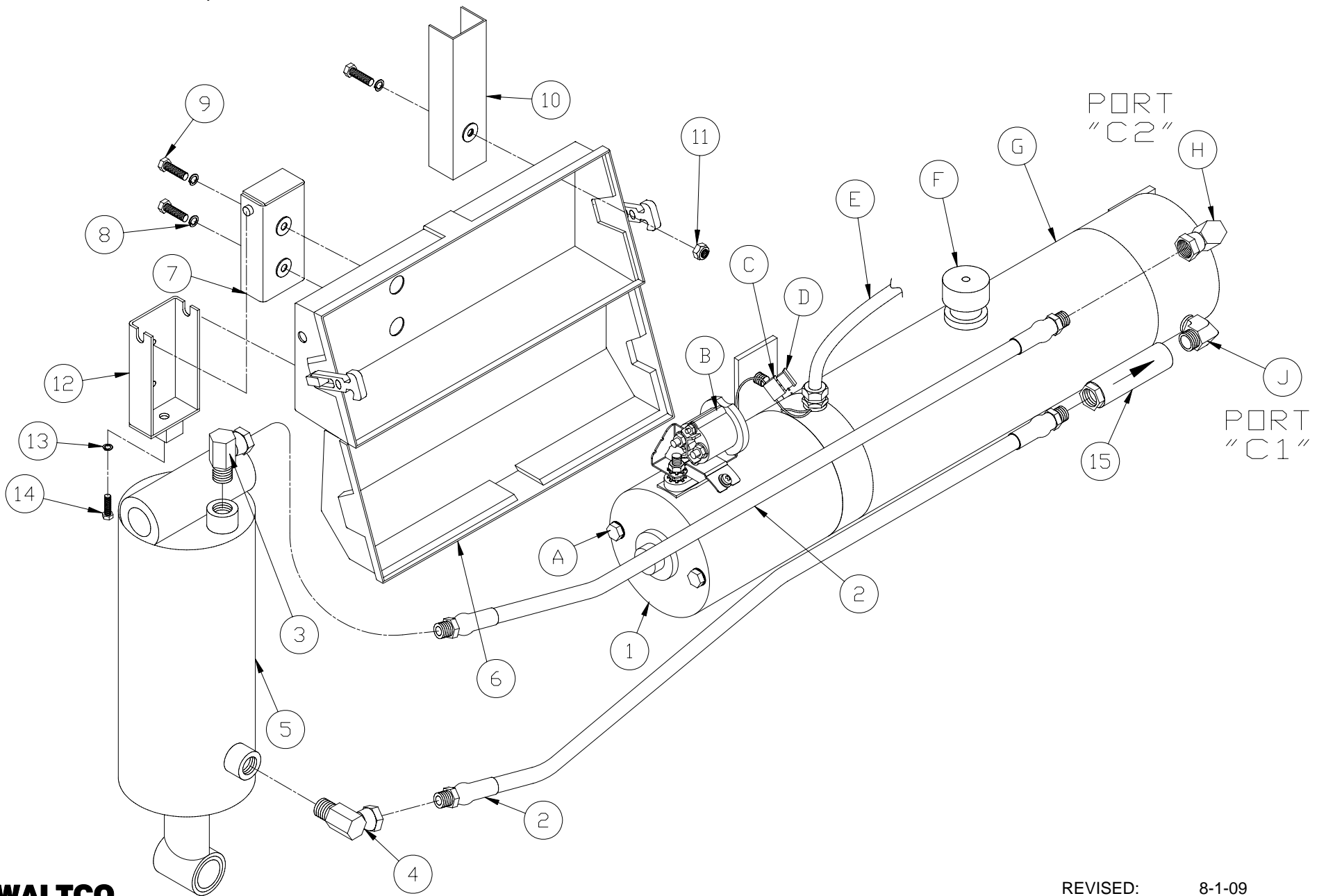
REVISED: 8-1-09  
E.O. 6251  
REV. 04

**PM-375**

ITEM	PART NUMBER	QTY	DESCRIPTION
1	70400000	1	Hydraulic Pump Unit
*A	70400001	1	Hydraulic Reservoir
*B	70091734	1	Breather
*C	70400002	1	Reservoir Clamp
*D	80001065	1	Solenoid Kit
*E	7043001-1	1	Motor
*F	70092503	1	Valve Assembly, 2-way, 2 position w/ Coil
*G	75082611	1	90° Male Elbow
*H	70189860	1	Flow Control Valve
*J	70402303	1	Coil, 10V, 25A
2	75083073	1	Hose Assembly
3	75083018	1	45° Swivel Elbow
4	20280010	1	Hydraulic Cylinder
5	10021400	1	Pump Bracket Plate
6	10090500	1	Pump Cover Assembly
7	10021000	1	Pump Mounting Bracket
8	75088081	2	3/8" Lock Washer
9	75086056	2	Hex Bolt 3/8"-16 x 1" LG. Grade 5
10	10021500	1	Pump Mounting Bracket
11	75088083	1	1/2" Lock Washer
12	75086108	1	Hex Bolt 1/2"-13 x 1-1/2" LG. Grade 2
13	75082742	1	Barbed Fitting 3/8" NPTF x 1/4" 90°
14	75082741	1	Barbed Fitting 1/8" NPTF x 1/4" Straight
15	26299500	1	Hose 1/4" I.D. x 60" LG.

\* These parts included in 70400750 Assembly  
Parts 1,5-9 Included in 10091100 Hydraulic Assembly

**REDUCED MAINTENANCE ELECTRIC CONTROLS, POWER DOWN, ELECTROPAK**  
 (Built 3-96 thru 8-97)



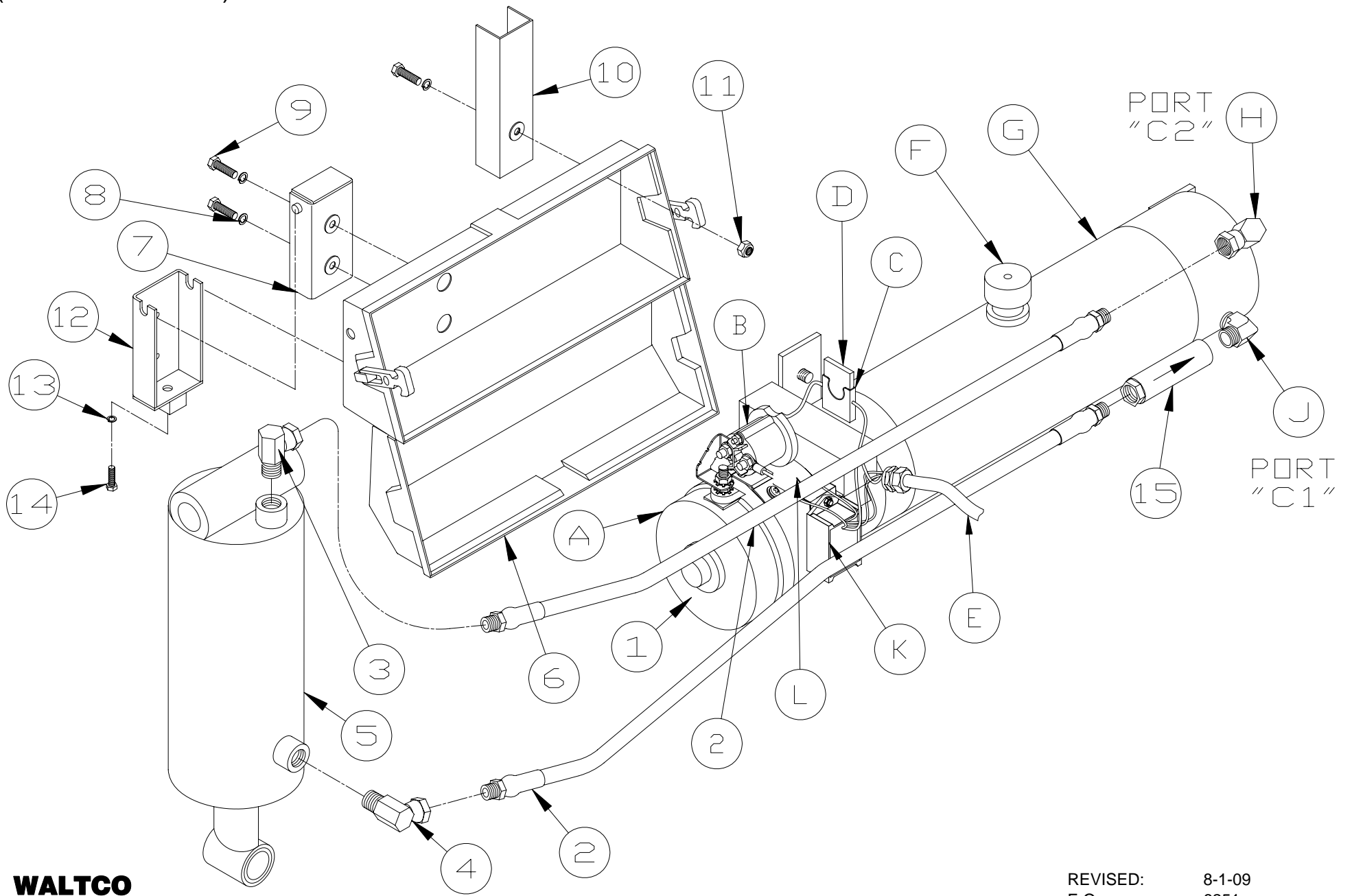
**WALTCO**  
 TRUCK EQUIPMENT CO.

REVISED: 8-1-09  
 E.O. 6251  
 REV. 04

**PM-377**

ITEM	PART NUMBER	QTY	DESCRIPTION
1	70400025	1	Hydraulic Pump Unit
	70400725	1	Hydraulic Pump Unit
*A	7043001-1	1	Motor
*B	80001065	1	Solenoid Kit
*C	75089850	1	Fuse Holder
*D	75089852	1	20 AMP Fuse
*E	70400026	1	Control Cord
*F	70091734	1	Breather
*G	70400027	1	Hydraulic Reservoir
*H	75083031	1	90° Swivel Elbow
*J	75082611	1	90° Male Elbow
2	75083073	2	Hose Assembly
3	75083016	1	45° Swivel Elbow
4	75083018	1	45° Swivel Elbow
5	20280020	1	Hydraulic Cylinder
6	10090500	1	Pump Cover Assembly
7	10021000	1	Pump Mounting Bracket
8	75088081	3	3/8" Lock Washer
9	75086056	3	Hex Bolt, 3/8"-16 x 1" LG., Grade 5
10	10022000	1	Pump Mounting Bracket Channel
11	75085193	1	Flex Nut, 3/8"-16
12	10021500	1	Pump Mounting Bracket
13	75088083	1	1/2" Lock Washer
14	75086108	1	Hex Bolt, 1/2"-13 x 1-1/2" LG., Grade 2
15	70110040	1	Flow Control Valve

**ELECTRIC CONTROLS, POWER DOWN**  
(Built 8-97 thru 2-00)



**WALTCO**  
TRUCK EQUIPMENT CO.  
E, F, & FSL

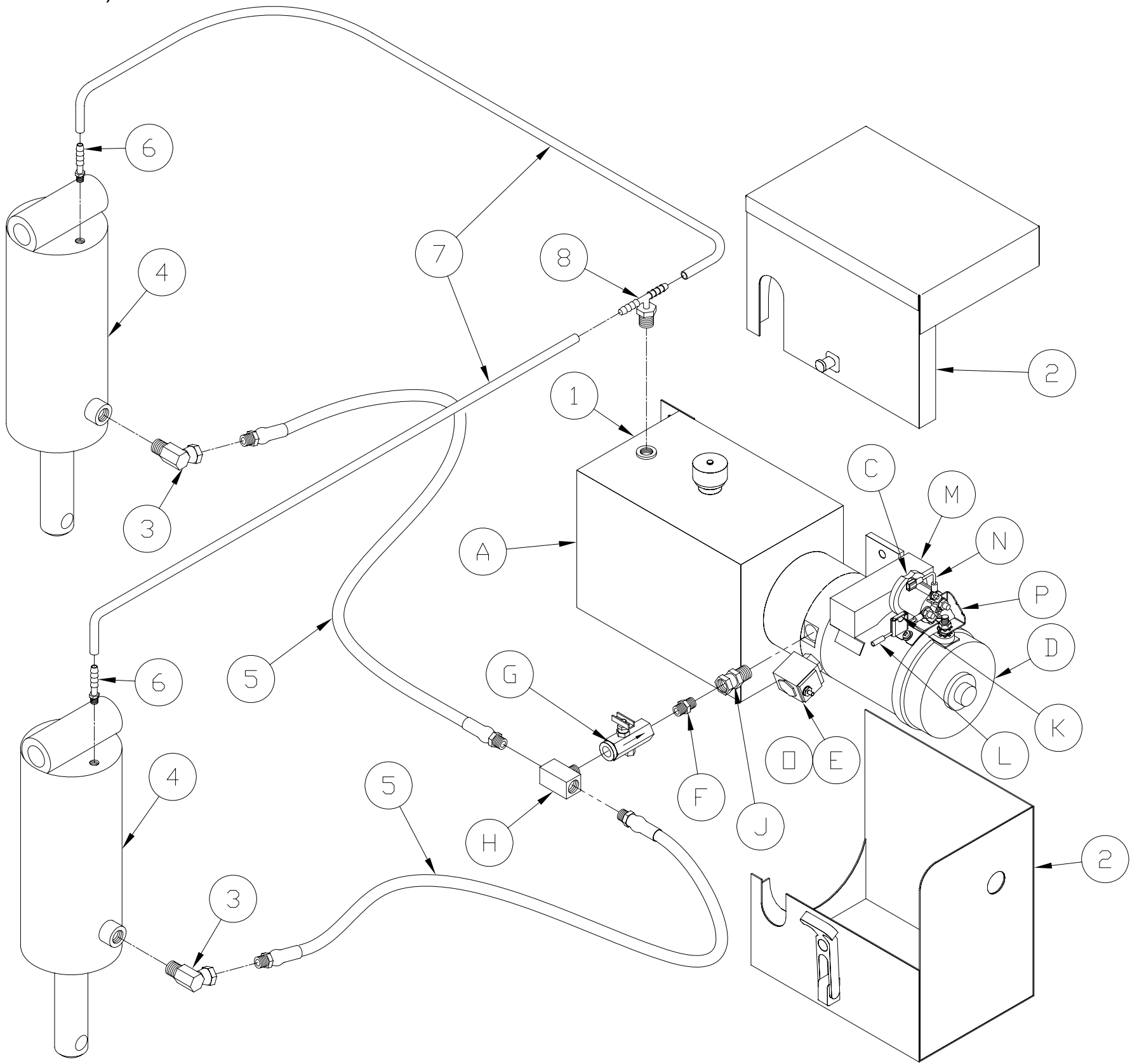
REVISED: 8-1-09  
E.O. 6251  
REV. 07

**PM-494**

ITEM	PART NUMBER	QTY	DESCRIPTION
1	<a href="#">70400025</a>	1	Hydraulic Pump Unit
	<a href="#">70400725</a>		Hydraulic Pump Unit
*A	70400855	1	Motor Assembly
*B	80001065	1	Solenoid Kit
*C	75089850	1	Fuse Holder
*D	75089853	1	5 AMP Fuse
*E	70400026	1	Control Cord
*F	70091734	1	Breather
*G	70400027	1	Hydraulic Reservoir
*H	75083031	1	90° Swivel Elbow
*J	75082611	1	90° Male Elbow
*K	80001032	1	Power Down Module, 12 volt
*L	75090052	1	Hose Clamp, Worm Drive
2	75083073	2	Hose Assembly
3	75083016	1	45° Swivel Elbow
4	75083018	1	45° Swivel Elbow
5	20280020	1	Hydraulic Cylinder (F and E Series Only)
	<a href="#">20280090</a>	1	Hydraulic Cylinder (FSL Series Only)
6	10090500	1	Pump Cover Assembly
7	10021000	1	Pump Mounting Bracket
8	75088081	3	3/8" Lock Washer
9	75086056	3	Hex Bolt, 3/8"-16 x 1" LG. Grade 5
10	10022000	1	Pump Mounting Bracket Channel
11	75085193	1	Flex Nut, 3/8"-16
12	10021500	1	Pump Mounting Bracket
13	75088083	1	1/2" Lock Washer
14	75086108	1	Hex Bolt, 1/2"-13 x 1-1/2" LG. Grade 2
15	70110040	1	Flow Control Valve

\*These parts included in [70400025](#) or [70400725](#) Assembly

**HYDRAULIC POWER UNIT**  
(Built from 2-00)



**WALTCO**  
TRUCK EQUIPMENT CO.  
F-40, FSL-40 & FSL-50

REVISED: 8-1-09  
E.O. 6251  
REV. 08

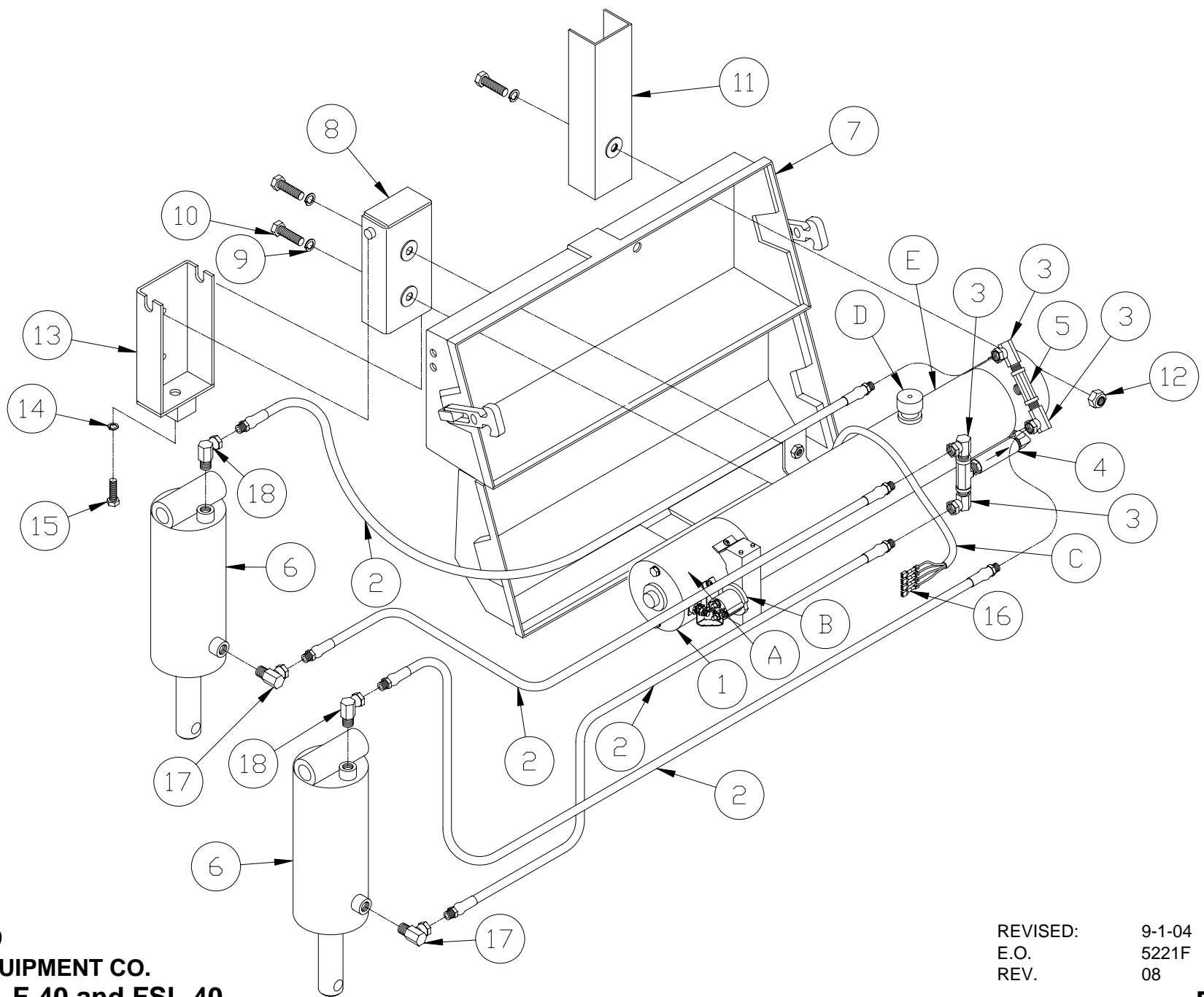
**PM-414**

ITEM	PART NUMBER	QTY	DESCRIPTION
1	<a href="#">70400850</a>	1	Hydraulic Pump Unit
A	70400176 <sup>A</sup>	1	Hydraulic Reservoir
B	70091734 <sup>A</sup>	1	Breather
C	75089833 <sup>A</sup>	1	Solenoid
D	70400854 <sup>A</sup>	1	Motor
E	70092503 <sup>A</sup>	1	Valve Assembly, 2-way, 2 position w/ Coil
F	75082613	1	3/8" Nipple
G	70189861	1	Flow Control Valve
H	75082859	1	Tee Male on Side
J	75082914	1	3/8" Swivel Fitting
K	75089853 <sup>A</sup>	1	5 Amp Fuse
L	10099309 <sup>A</sup>	1	Inline Fuse Assembly (Includes Fuse 75089853)
N	10099310 <sup>A</sup>	1	Wire Lead
P	75089834 <sup>A</sup>	1	Bus Bar
O	70402303 <sup>A</sup>	1	Coil, 10V, 25A
2	20690500	1	Hydraulic Enclosure
3	75083017	1	45° 3/8" Swivel Elbow
4	<a href="#">20280050</a>	2	Hydraulic Cylinder
5	75083068	2	3/8" x 60" Hose Assembly
6	75082741	2	Barbed Fitting 1/8" NPTF x 1/4" Straight
7	26299500	2	Tube Flexible PVC 60" lg.
8	75082746	1	Barbed Fitting 3/8" NPTF x 1/4" Tee

<sup>A</sup> Included in Pump Assembly [70400850](#)



**HYDRAULIC POWER UNIT, POWER DOWN**  
(Built 3-96 thru 7-04)



**WALTCO**  
TRUCK EQUIPMENT CO.  
F-40 and FSL-40

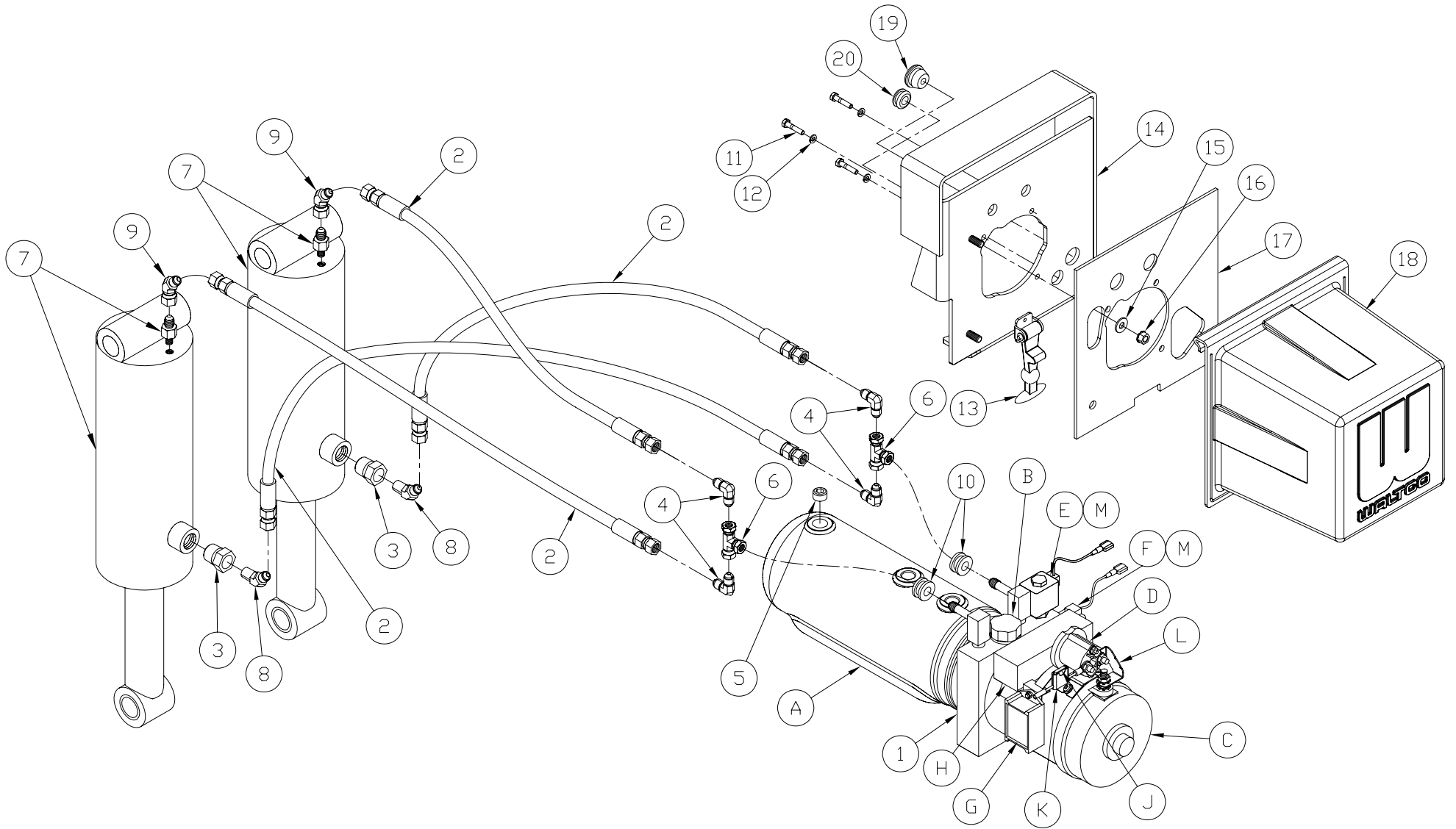
REVISED: 9-1-04  
E.O. 5221F  
REV. 08

**PM-415**

ITEM	PART NUMBER	QTY	DESCRIPTION
1	<a href="#">70400725</a>	1	Hydraulic Pump Unit
*A	70400855		Motor
*B	80001065	1	Solenoid Kit
*C	70400026	1	Control Cord
*D	70091734	1	Breather
*E	70400027	1	Hydraulic Reservoir
2	75083073	4	1/4" x 60" hose Assembly
3	75083031	4	90° Swivel Elbow
4	70110040	1	Flow Control Valve
5	75082858	2	1/4" NPT Fitting
6	<a href="#">20280090</a>	2	Hydraulic Cylinder and Reducer
7	10090500	1	Pump Cover Assembly
8	10021000	1	Pump Mounting Bracket
9	75088081	3	3/8" Lock Washer
10	75086056	3	Hex Bolt, 3/8"-16 x 1" lg. Grade 5
11	10022000	1	Pump Mounting Bracket Channel
12	75085193	1	Flex Nut, 3/8" - 16
13	10021500	1	Pump Mounting Bracket
14	75088083	1	1/2" Lock Washer
15	75086108	1	Hex Bolt, 1/2"-13 x 1-1/2" Lg. Grade 2
16	75082019	1	Female Connector (Dual Control Only)
17	75083018	2	45° x 3/8" M x 1/4" F Swivel Elbow
18	75083016	2	45° 1/4" M x 1/4" F Swivel Elbow

\* These parts included in 70400725 Assembly

**HYDRAULIC POWER UNIT, POWER DOWN**  
(Built from 7-04)



**WALTCO LIFT CORP.**  
**F-40 AND FSL-40**  
**POWERDOWN**

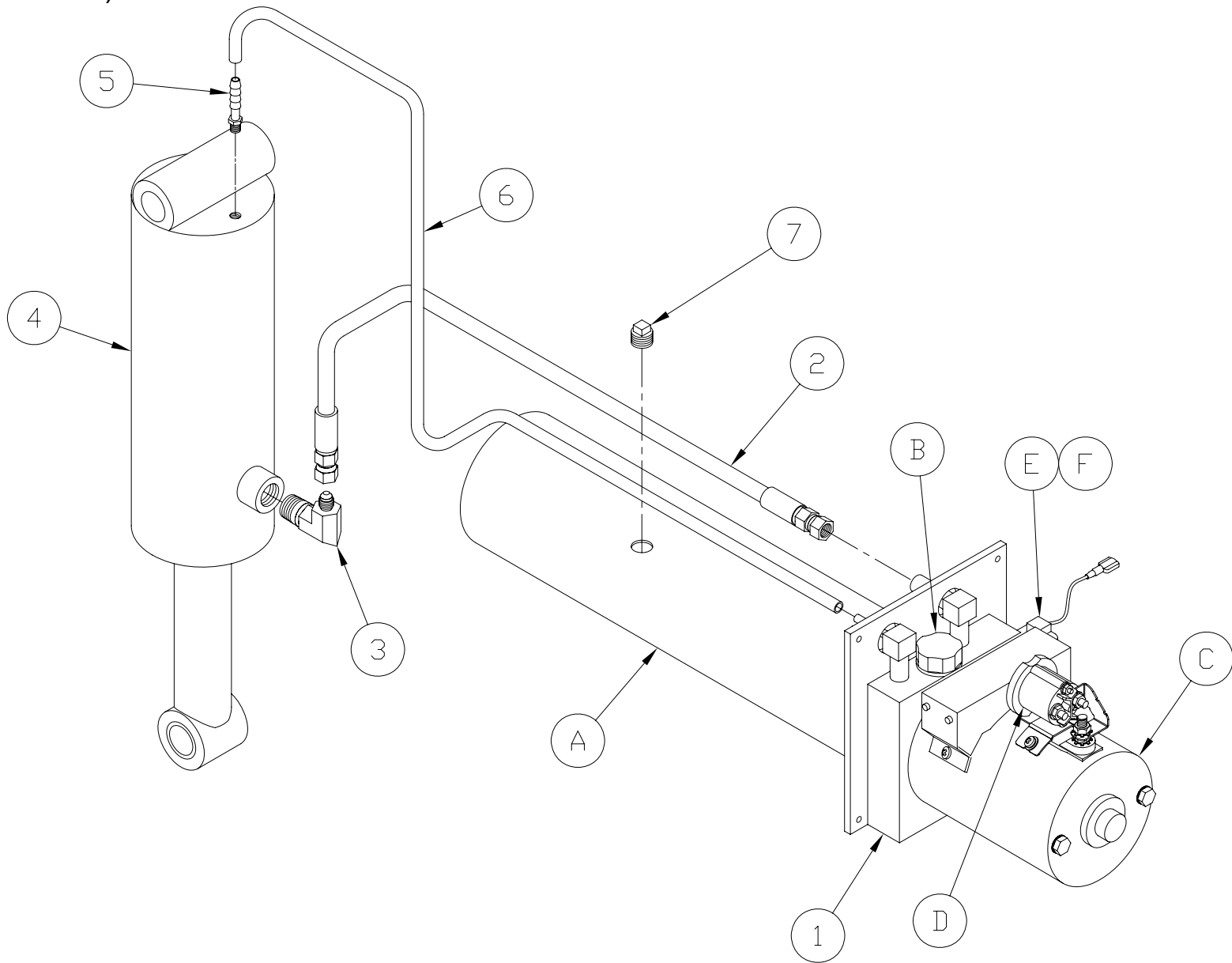
REVISED: 8-1-09  
E.O. 6251  
REV. 05

**PM-415A**

ITEM	PART NUMBER	QTY	DESCRIPTION
1	70430430	1	Hydraulic Pump Unit
A	70400001 <sup>A</sup>	1	Hydraulic Reservoir
B	70400004 <sup>A</sup>	1	Breather
C	7043001-1 <sup>A</sup>	1	Motor
D	75089833 <sup>A</sup>	1	Solenoid
E	70092503 <sup>A</sup>	1	Valve Assembly, 2-way, 2 position w/ Coil
F	70400014 <sup>A</sup>	1	Valve assembly, 4-way, 2 position w/ Coil
G	10099312 <sup>A</sup>	1	Power Down Module
H	10098425 <sup>A</sup>	1	Grounding Cable
J	75089853 <sup>A</sup>	1	5 Amp Fuse
K	10099309 <sup>A</sup>	1	Inline Fuse Assembly (Includes Fuse 75089853)
L	75089834 <sup>A</sup>	1	Bus Bar
M	70402303 <sup>A</sup>	2	Coil, 10V, 25A
2	75083201	4	Hose, 1/4" I.D. x 1/4" JIC x 1/4" JIC, 57"
3	75082908	2	Bushing, 3/8" NPT x 1/4" NPT
4	75083214	4	90° Male Elbow, 1/4" JIC
5	70091291	1	Steel Plug
6	75083215	2	Tee, 1/4" JIC Swivel
7	20280091	2	Hydraulic Cylinder and Adapter
8	75083212	2	45° Male Elbow, 1/4" NPT x 1/4" JIC
9	75082965	2	45° Elbow, 1/4" JIC M x 1/4" JIC F Swivel
10	70401408	2	7/16" I.D. Grommet
11	75086212	3	Pump Mount Bolt, 1/4"-20 x 1-1/4" lg.
12	75088079	3	1/4" Lock Washer
13	27391301	1	Cover Latch
14	10023100	1	Remote Pump Mounting Bracket
15	75088052	1	Flat Washer, 5/16 SAE
16	75085005	1	Serrated Hex Nut, 3/8-16
17	10090460	1	Pump Cover Gasket
18	10090450	1	Pump Cover (with latch)
19	75090310	1	Grommet for Control Cord
20	75089334	1	Grommet for Battery Cable

<sup>A</sup> These parts included in 70430430 Pump Assembly

**F-20RM, F-30RM, E-25RM AND E-30RM HYDRAULIC LAYOUT**  
(Built 2-00 thru 3-03)



**WALTCO**  
TRUCK EQUIPMENT CO.  
F-20RM, F-30RM, E-25RM,  
E-30RM SERIES

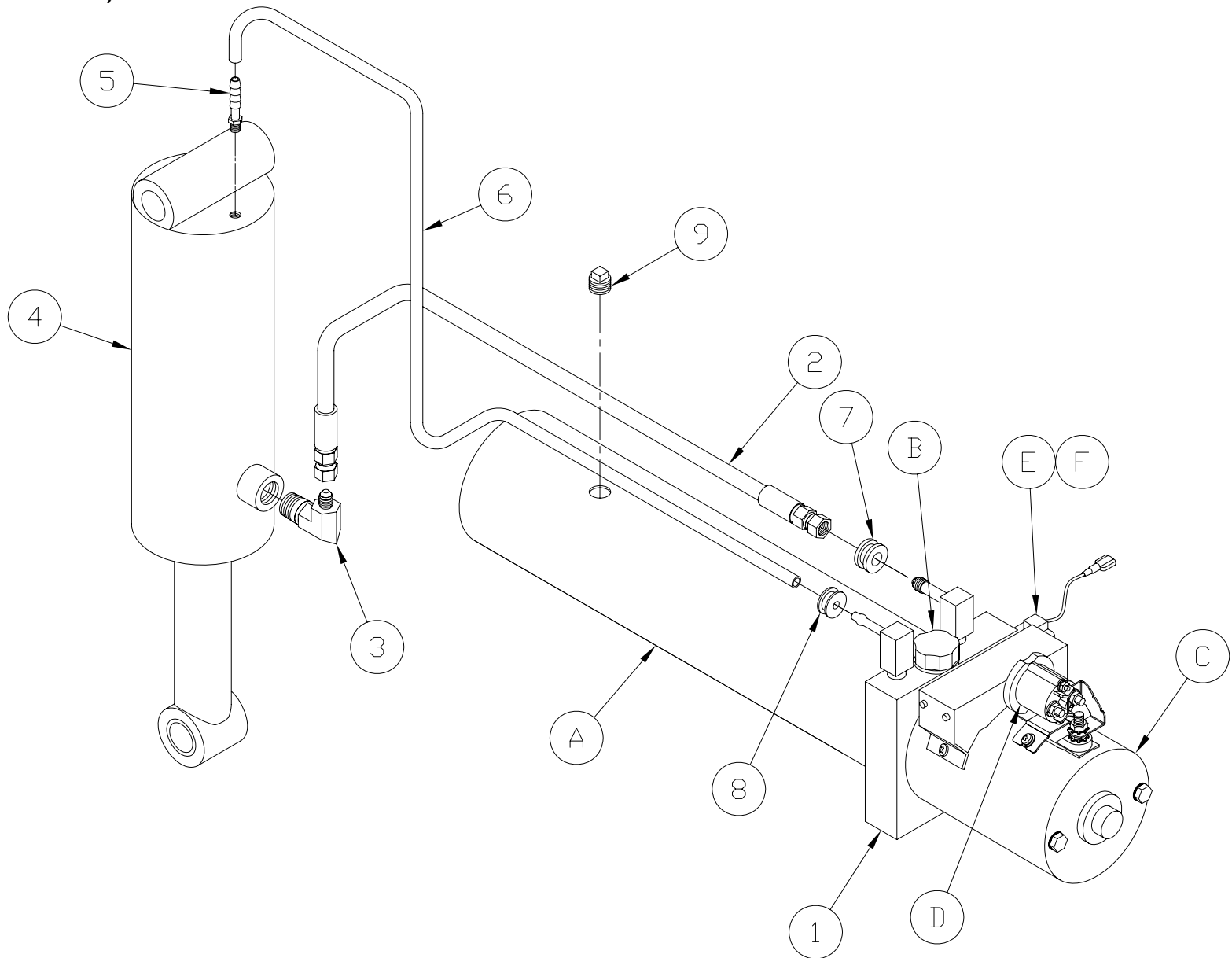
REVISED: 8-1-09  
E.O. 6251  
REV. 06

**PM-519**

ITEM	PART NUMBER	QTY	DESCRIPTION
1	70401400	1	Hydraulic Pump Unit
	70401450		Hydraulic Pump Unit
A	70401456	1	Hydraulic Reservoir
B	70091734	1	Breather
C	70400854	1	Motor Assembly
D	80001065	1	Solenoid Kit
E	70092503	1	Valve Assembly, 2-way, 2 position w/ Coil
F	70402303	1	Coil, 10V, 25A
2	75083202	1	Hose, 1/4" I.D. x 1/4" JIC x 3/8 JIC
3	75083211	1	90° Elbow, 3/8" NPT x 1/4" JIC
4	20280010 <sup>A</sup>	1	Hydraulic Cylinder
5	75082741 <sup>A</sup>	1	Barbed Fitting, 1/8" NPTF x 1/4" Straight
6	26299500 <sup>A</sup>	1	Hose, 1/4" I.D.
7	70401457	1	Steel Plug

<sup>A</sup> Included in Cylinder Replacement Kit 20295401.

**HYDRAULIC LAYOUT, GRAVITY DOWN**  
(Built 3-03 thru 3-04)



**WALTCO**  
TRUCK EQUIPMENT CO.  
F-20RM, F-30RM, E-25RM,  
E-30RM SERIES

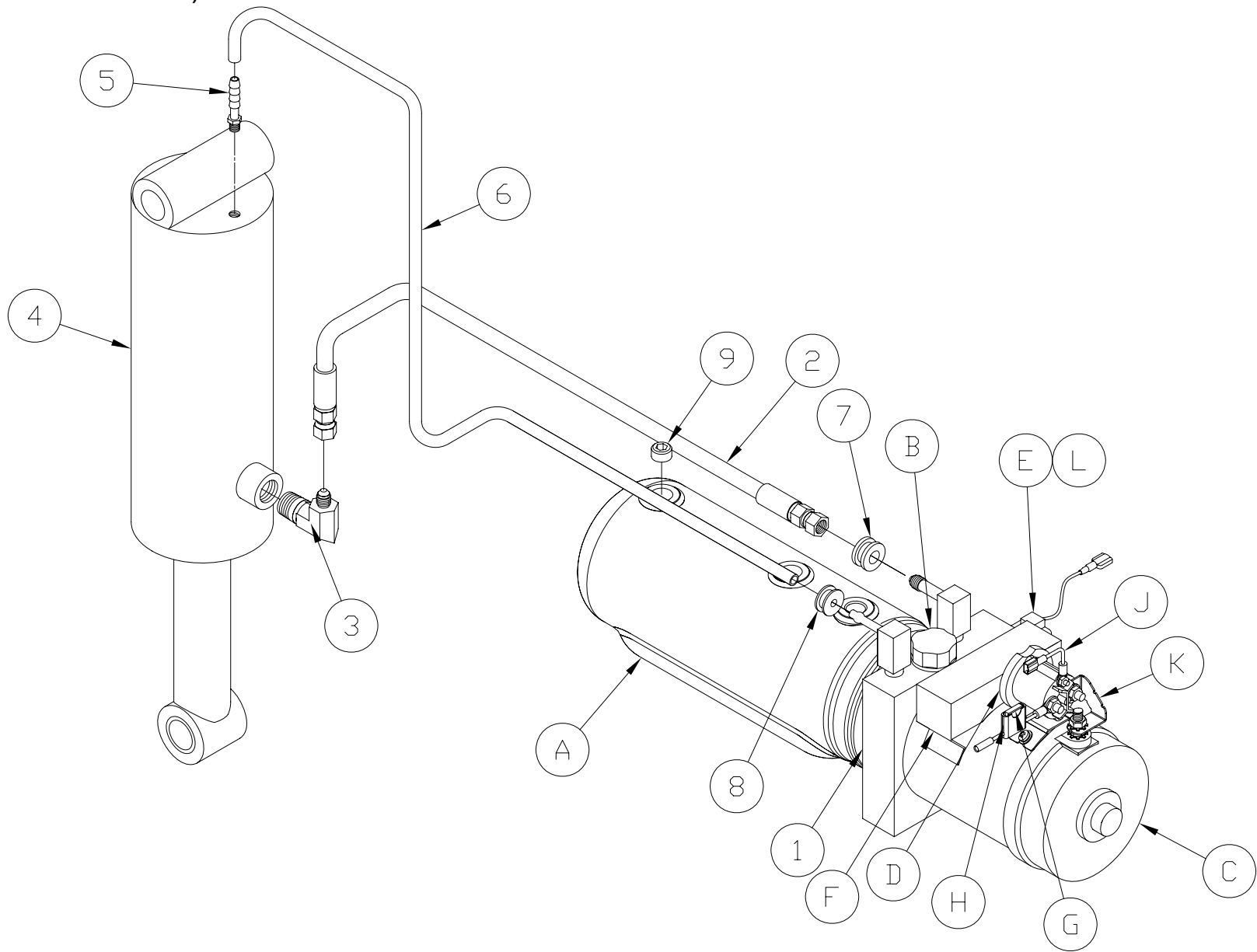
REVISED: 8-1-09  
E.O. 6251  
REV. 03

**PM-519A**

ITEM	PART NUMBER	QTY	DESCRIPTION
1	70401700	1	Hydraulic Pump Unit
	70401750		Hydraulic Pump Unit
A	70401456	1	Hydraulic Reservoir
B	70091734	1	Breather
C	70400854	1	Motor Assembly
D	80001065	1	Solenoid Kit
E	70092503	1	Valve Assembly, 2-way, 2 position w/ Coil
G	70402303	1	Coil, 10V, 25A
2	75083202	1	Hose, 1/4" I.D. x 1/4" JIC x 3/8 JIC
3	75083211	1	90° Elbow, 3/8" NPT x 1/4" JIC
4	20280010 <sup>A</sup>	1	Hydraulic Cylinder
5	75082741 <sup>A</sup>	1	Barbed Fitting, 1/8" NPTF x 1/4" Straight
6	26299500 <sup>A</sup>	1	Hose, 1/4" I.D.
7	70401408	1	7/16" I.D. Grommet
8	70401409	1	1/4" I.D. Grommet
9	70401451	1	Steel Plug

<sup>A</sup> Included in Cylinder Replacement Kit 20295401.

**HYDRAULIC LAYOUT, Gravity Down**  
(Built from 3-04 thru 6-10)



**WALTCO LIFT CORP.**  
F-20RM, F-30RM, E-25RM,  
E-30RM SERIES, FSL-25,  
FSL-30 SERIES

REVISED: 9-12-08  
E.O. 6080  
REV. 04

**PM-619**

ITEM	PART NUMBER	QTY	DESCRIPTION
1	<a href="#">70430320</a>	1	Hydraulic Pump Unit
A	70400001 <sup>C</sup>	1	Hydraulic Reservoir
B	70400004 <sup>B,C</sup>	1	Breather
C	7043001-1 <sup>A,B,C</sup>	1	Motor
D	75089833 <sup>A,B,C</sup>	1	Starter Solenoid
E	70092503 <sup>B,C</sup>	1	Valve Assembly, 2-way,2 position w/ Coil
G	75089853 <sup>B,C</sup>	1	Fuse
H	10099309 <sup>B,C</sup>	1	Inline Fuse Assembly (Includes Fuse 75089853)
J	75089834 <sup>A,B,C</sup>	1	Bus Bar
K	10098425 <sup>C</sup>	1	Ground Cable
L	70402303 <sup>C</sup>	1	Coil, 10V, 25A
2	75083202	1	Hose, 1/4" I.D. x 1/4" JIC x 3/8" JIC
3	75083211	1	90° Elbow, 3/8" NPT x 3/8" JIC
4	<a href="#">20280010</a> <sup>B</sup>	1	Hydraulic Cylinder
5	75082741 <sup>B</sup>	1	Barbed Fitting, 1/8" NPTF x 1/4" Straight
6	26299500 <sup>B</sup>	1	Hose, 1/4" I.D.
7	70401408	1	7/16" I.D. Grommet
8	70401409	1	1/4" I.D. Grommet
9	70091291	1	Steel Plug

<sup>A</sup> Included in Motor Assembly 70400854.

<sup>B</sup> Included in Cylinder Replacement Kit 20295401.

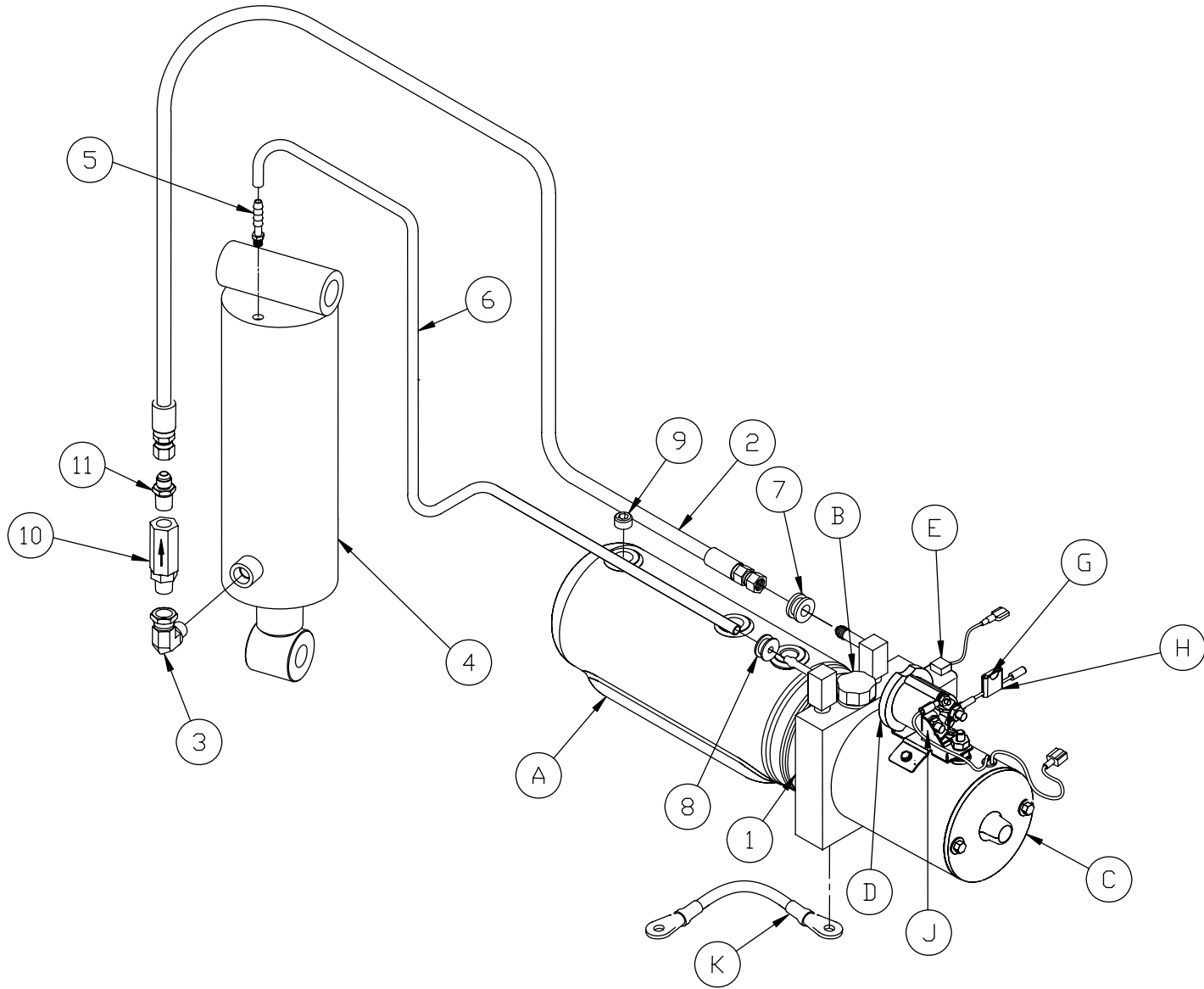
<sup>C</sup> Included in Pump Assembly [70430320](#).

Note:

[70430320](#) replaces previous pumps 70401900 and 70401950.

7043001-1 motor replaces previous motor 70092312.

**HYDRAULIC LAYOUT, GRAVITY DOWN**  
(Built from 6-10)



**WALTCO** LIFT CORP.  
FSL-25, FSL-30

REVISED: 6-4-10  
E.O. 6403  
REV. 01

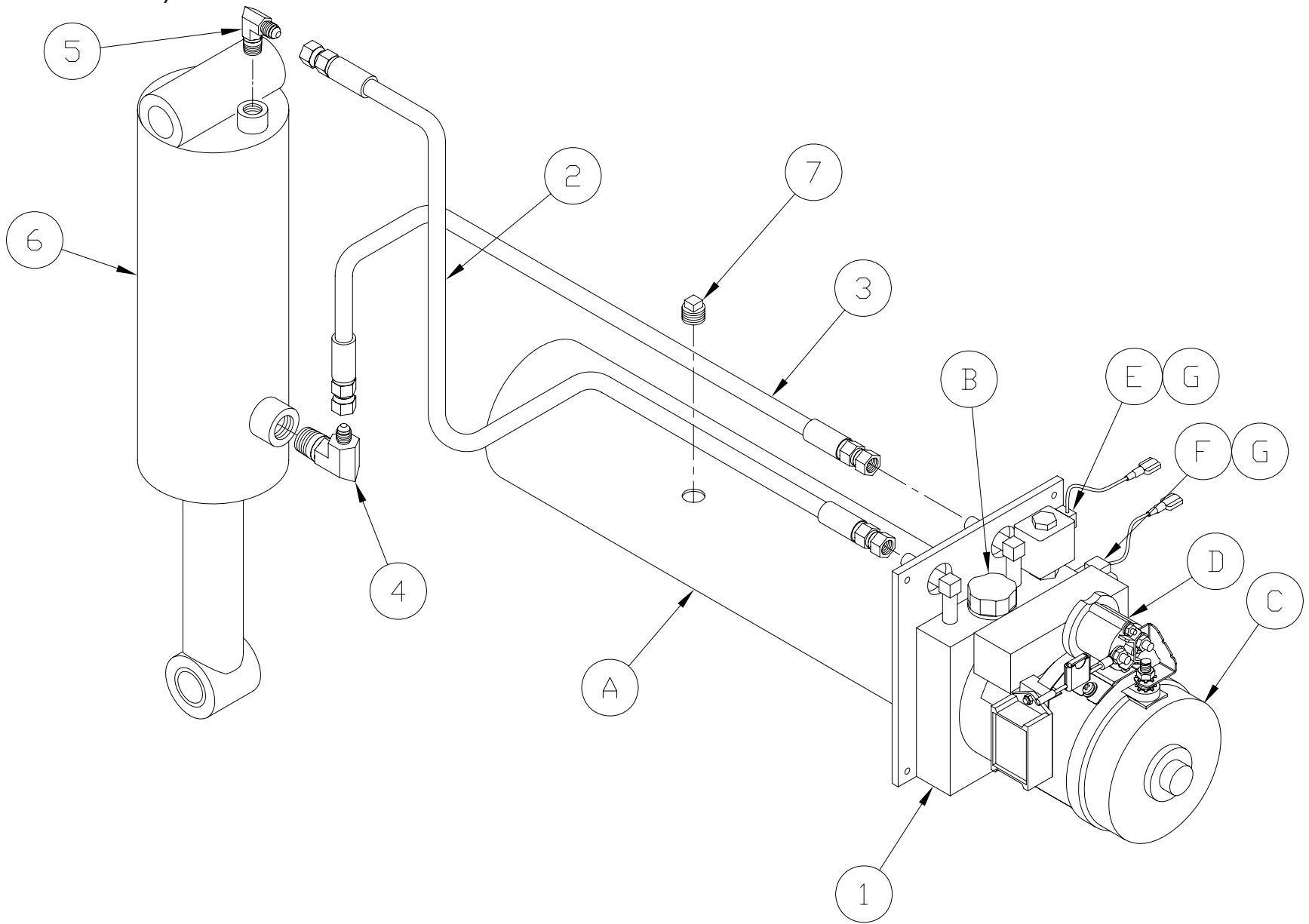
**PM-619A**

ITEM	PART NUMBER	QTY	DESCRIPTION
1	70430320	1	Hydraulic Pump Unit
A	70400001 <sup>C</sup>	1	Hydraulic Reservoir
B	70400004 <sup>B,C</sup>	1	Breather
C	7043001-1 <sup>A,B,C</sup>	1	Motor
D	75089833 <sup>A,B,C</sup>	1	Starter Solenoid
E	70401476 <sup>B,C</sup>	1	Valve Assembly, 2-way, 2 position
G	75089854 <sup>B,C</sup>	1	15 amp Fuse
H	10099309 <sup>B,C</sup>	1	Inline Fuse Assembly (Includes Fuse 75089853)
J	75089834 <sup>A,B,C</sup>	1	Bus Bar
K	10098425 <sup>C</sup>	1	Ground Cable
2	75083202	1	Hose, 1/4" I.D. x 1/4" JIC x 3/8" JIC
3	75083036	1	90° Elbow, 3/8" NPT
4	20280010 <sup>B</sup>	1	Hydraulic Cylinder
5	75082741 <sup>B</sup>	1	Barbed Fitting, 1/8" NPTF x 1/4" Straight
6	26299500 <sup>B</sup>	1	Hose, 1/4" I.D.
7	70401408	1	7/16" I.D. Grommet
8	70401409	1	1/4" I.D. Grommet
9	70091291	1	Steel Plug
10	70110020	1	Pressure Compensated Valve (2.75 gpm)
11	7500102-2	1	Male Connector

- A Included in Motor Assembly 70400854.  
B Included in Cylinder Replacement Kit 20295401.  
C Included in Pump Assembly 70430320.

Note:  
70430320 replaces previous pumps 70401900 and 70401950.  
7043001-1 motor replaces previous motor 70092312.

**F-20RM, F-30RM AND E-25RM, E-30RM HYDRAULIC LAYOUT, POWER DOWN**  
 (Built 2-00 thru 3-03)



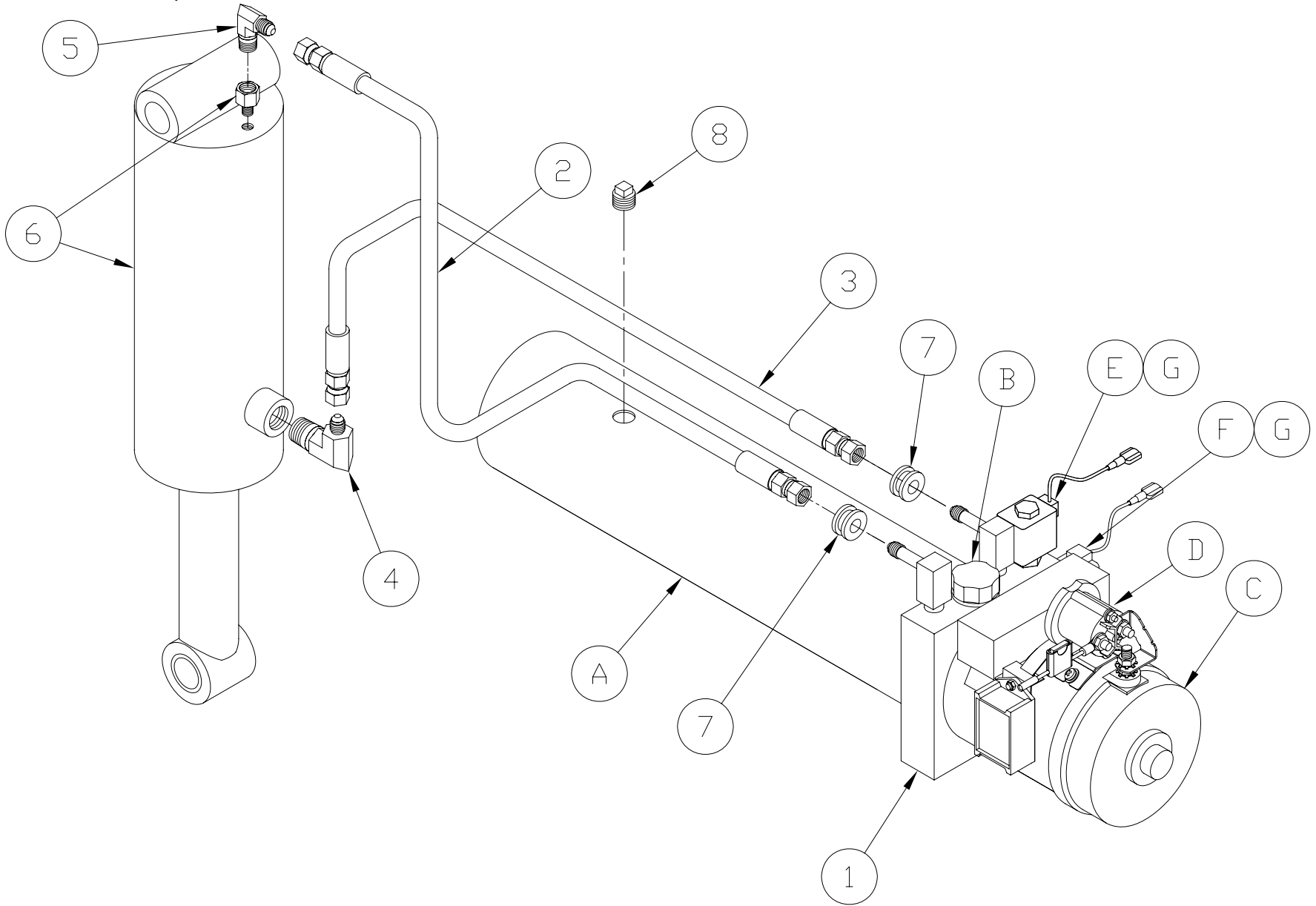
**WALTCO**  
**TRUCK EQUIPMENT CO.**  
**F-20RM, F-30RM, E-25RM,**  
**E-30RM SERIES**

REVISED: 8-1-09  
 E.O. 6251  
 REV. 06

**PM-520**

ITEM	PART NUMBER	QTY	DESCRIPTION
1	70401425	1	Hydraulic Pump Unit
	70401475		Hydraulic Pump Unit
A	70401456	1	Hydraulic Reservoir
B	70091734	1	Breather
C	70400855	1	Motor Assembly
D	80001065	1	Solenoid Kit
E	70092503	1	Valve Assembly, 2-way, 2 position w/ Coil
F	70400014	1	Valve assembly, 4-way, 2 position w/ Coil
G	70402303	2	Coil, 10V, 25A
2	75083201	1	Hose, 1/4" I.D. x 1/4" JIC x 1/4" JIC, 57"
3	75083202	1	Hose, 1/4" I.D. x 1/4" JIC x 3/8" JIC, 45"
4	75083211	2	90° Elbow, 3/8" NPT x 1/4" JIC
5	75083212	1	45° Elbow, 1/4" NPT x 1/4" JIC
6	20280020	1	Hydraulic Cylinder
7	70401457	1	Steel Plug

**HYDRAULIC LAYOUT, POWER DOWN**  
(Built 3-03 thru 3-04)



**WALTCO**  
TRUCK EQUIPMENT CO.  
F-20RM, F-30RM, E-25RM, E-30RM SERIES

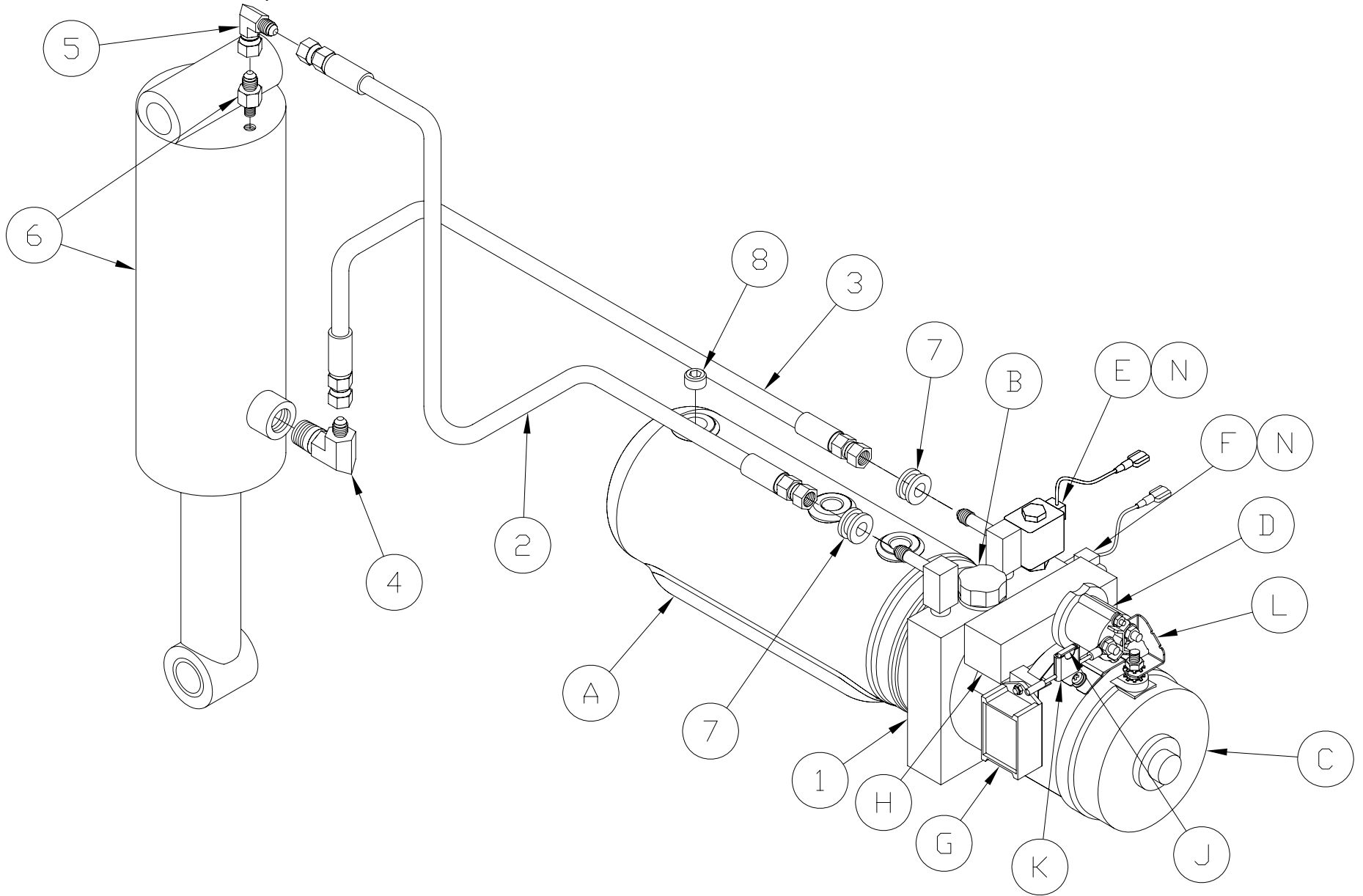
REVISED: 8-1-09  
E.O. 6251  
REV. 06

**PM-520A**

ITEM	PART NUMBER	QTY	DESCRIPTION
1	70401725	1	Hydraulic Pump Unit
	70401775		Hydraulic Pump Unit
A	70401456	1	Hydraulic Reservoir
B	70091734	1	Breather
C	70400855	1	Motor Assembly
D	80001065	1	Solenoid Kit
E	70092503	1	Valve Assembly, 2-way, 2 position w/ Coil
F	70400014	1	Valve assembly, 4-way, 2 position w/ Coil
G	70402303	2	Coil, 10V, 25A
2	75083200	1	Hose, 1/4" I.D. x 1/4" JIC x 1/4" JIC, 45"
3	75083202	1	Hose, 1/4" I.D. x 1/4" JIC x 3/8" JIC, 45"
4	75083211	2	90° Elbow, 3/8" NPT x 3/8" JIC
5	75083212	1	45° Elbow, 1/4" NPT x 1/4" JIC
6	20280020	1	Hydraulic Cylinder and Reducer
7	70401408	2	7/16" I.D. Grommet
8	70401457	1	Steel Plug



**HYDRAULIC LAYOUT, Power Down**  
(Built from 3-04 thru 6-10)



**WALTCO LIFT CORP.**  
**F-20RM, F-30RM, E-25RM,**  
**E-30RM SERIES**  
**FSL-25. FSL-30 SERIES**

REVISED: 8-1-09  
E.O. 6251  
REV. 08

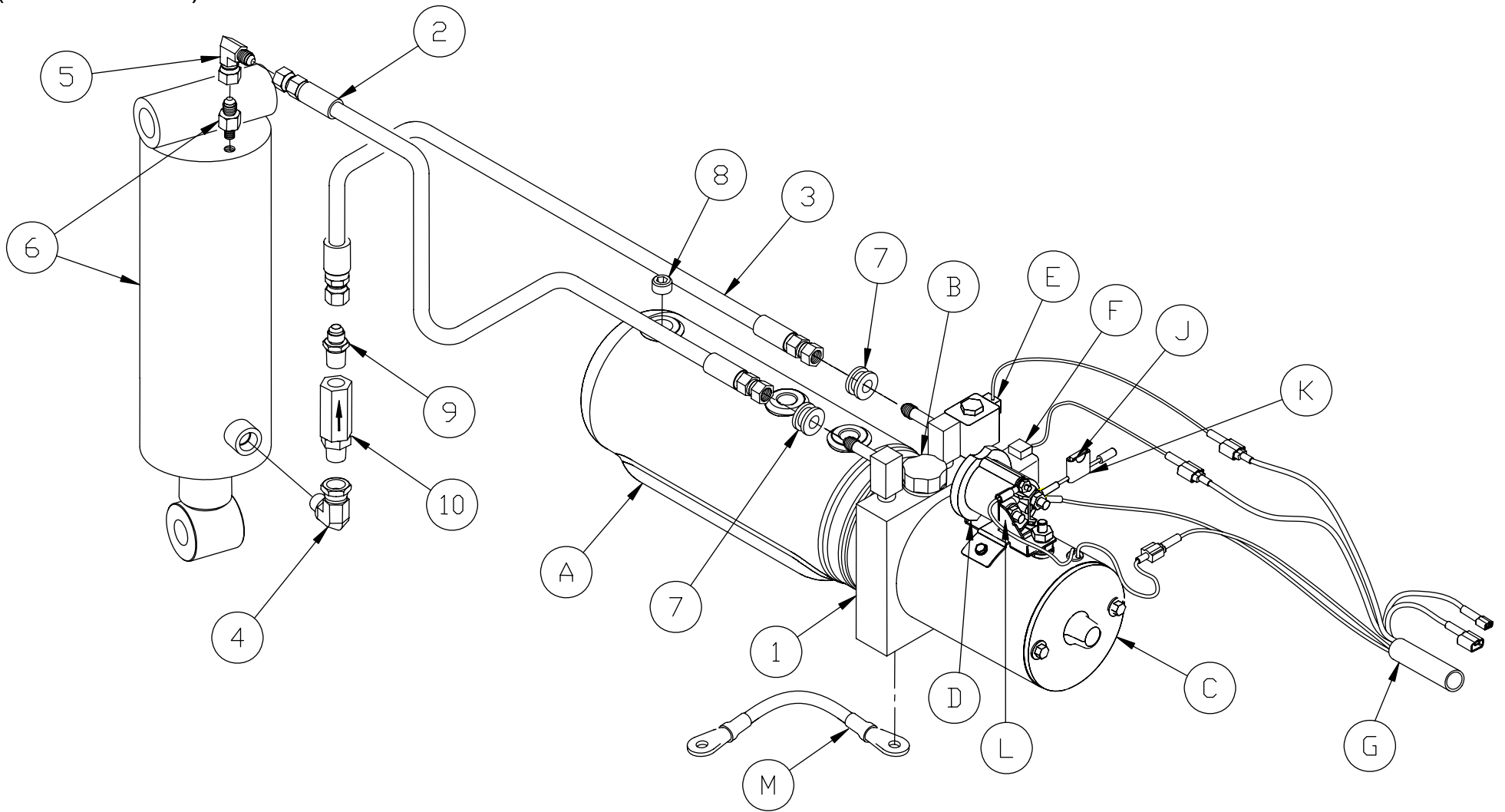
**PM-620**

ITEM	PART NUMBER	QTY	DESCRIPTION
1	<a href="#">70430430</a>	1	Hydraulic Pump Unit
A	70400001 <sup>B</sup>	1	Hydraulic Reservoir
B	70400004 <sup>B</sup>	1	Breather
C	7043001-1 <sup>A,B</sup>	1	Motor
D	75089833 <sup>A,B</sup>	1	Starter Solenoid
E	70092503 <sup>B</sup>	1	Valve Assembly, 2-way,2 position w/ Coil
F	70400014 <sup>B</sup>	1	Valve assembly, 4-way,2 position w/ Coil
G	10099312 <sup>A,B</sup>	1	Power Down Module
J	75089853 <sup>B</sup>	1	Fuse
K	10099309 <sup>B</sup>	1	Inline Fuse Assembly (Includes Fuse 75089853)
L	75089834 <sup>A,B</sup>	1	Bus Bar
M	10098425 <sup>B</sup>	1	Grounding Cable
N	70402303 <sup>B</sup>	2	Coil, 10V, 25A
2	75083200	1	Hose, 1/4" I.D. x 1/4" JIC x 1/4 JIC, 45"
3	75083202	1	Hose, 1/4" I.D. x 1/4" JIC x 3/8 JIC, 45"
4	75083211	1	90° Elbow, 3/8" NPT x 3/8" JIC
5	75082965	1	45° Elbow, 1/4" JIC x 1/4" JIC Swivel
6	<a href="#">20280022</a>	1	Hydraulic Cylinder and Adapter
7	70401408	2	7/16" I.D. Grommet
8	70091291	1	Steel Plug

<sup>A</sup> Included in Motor Assembly 70400855.

<sup>B</sup> Included in Pump Assembly [70430430](#).

**HYDRAULIC LAYOUT, POWER DOWN**  
(Built from 6-10)



**WALTCO** LIFT CORP.  
FSL-25, FSL-30

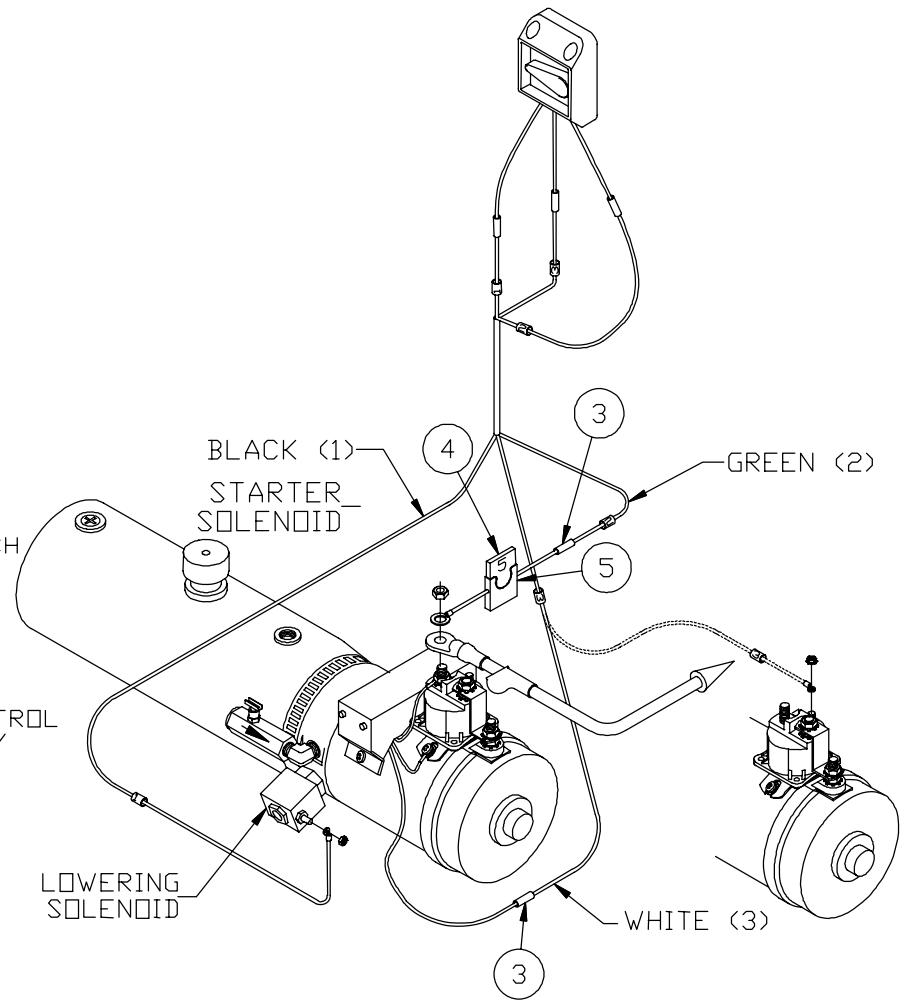
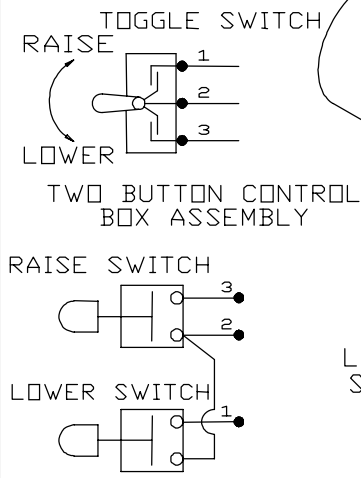
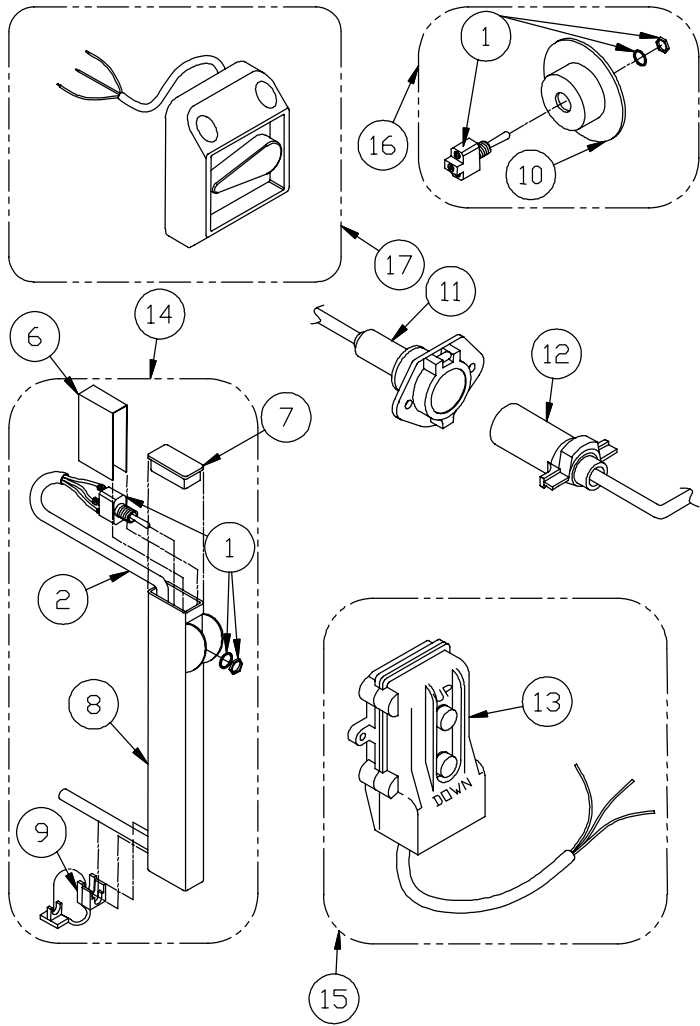
REVISED: 6-4-10  
E.O. 6403  
REV. 01

**PM-620A**

ITEM	PART NUMBER	QTY	DESCRIPTION
1	70430430	1	Hydraulic Pump Unit
A	70400001 <sup>B</sup>	1	Hydraulic Reservoir
B	70400004 <sup>B</sup>	1	Breather
C	7043001-1 <sup>A,B</sup>	1	Motor
D	75089833 <sup>A,B</sup>	1	Starter Solenoid
E	70401476 <sup>B</sup>	1	Valve Assembly, 2-way, 2 position
F	70401477 <sup>B</sup>	1	Valve assembly, 4-way, 2 position
G	10099312 <sup>A,B</sup>	1	Power Down Module
J	75089854 <sup>B</sup>	1	15 Amp Fuse
K	10099309 <sup>B</sup>	1	Inline Fuse Assembly (Includes Fuse 75089853)
L	75089834 <sup>A,B</sup>	1	Bus Bar
M	10098425 <sup>B</sup>	1	Grounding Cable
2	75083200	1	Hose, 1/4" I.D. x 1/4" JIC x 1/4 JIC, 45"
3	75083202	1	Hose, 1/4" I.D. x 1/4" JIC x 3/8 JIC, 45"
4	75083036	1	90° Elbow, 3/8" NPT
5	75082965	1	45° Elbow, 1/4" JIC x 1/4" JIC Swivel
6	20280022	1	Hydraulic Cylinder and Adapter
7	70401408	2	7/16" I.D. Grommet
8	70091291	1	Steel Plug
9	7500102-2	1	Male Connector
10	70110020	1	Pressure Compensated Valve (2.75 gpm)

<sup>A</sup> Included in Motor Assembly 70400855.  
<sup>B</sup> Included in Pump Assembly 70430430.

**ELECTRIC CONTROL OPTIONS, GRAVITY DOWN**  
(Built 2-94 thru 2-00)



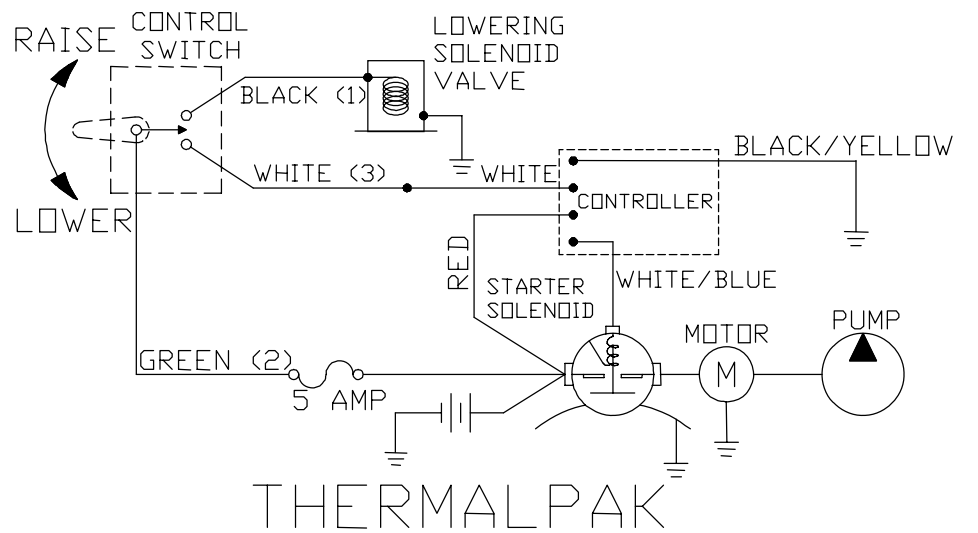
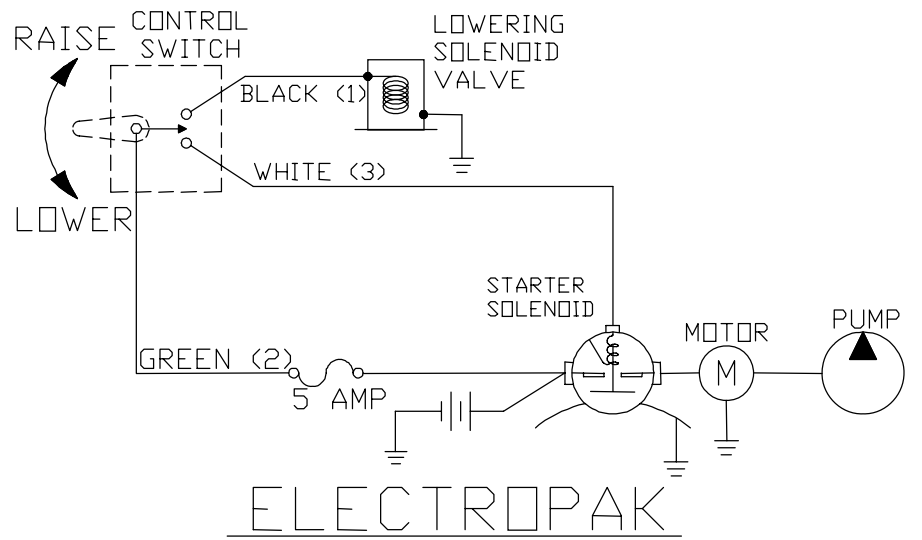
**WALTCO**  
TRUCK EQUIPMENT CO.

REVISED: 5-1-04  
E.O. 5221B  
REV. 14

**PM-343**

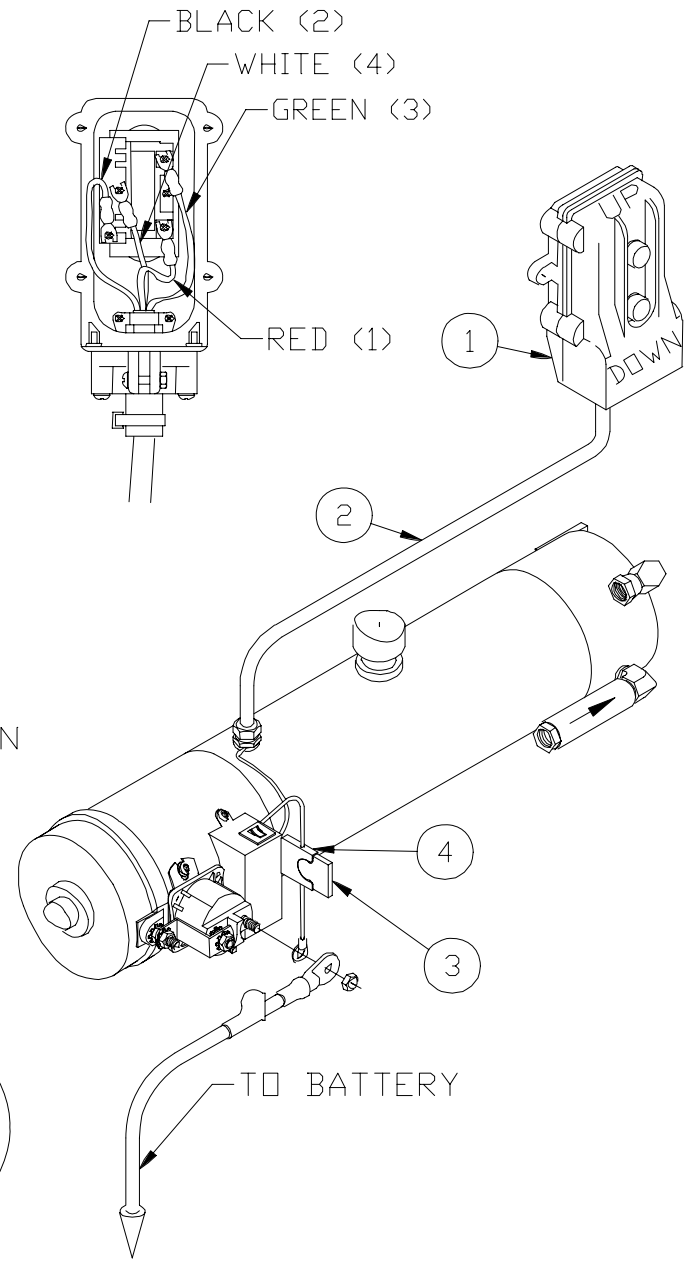
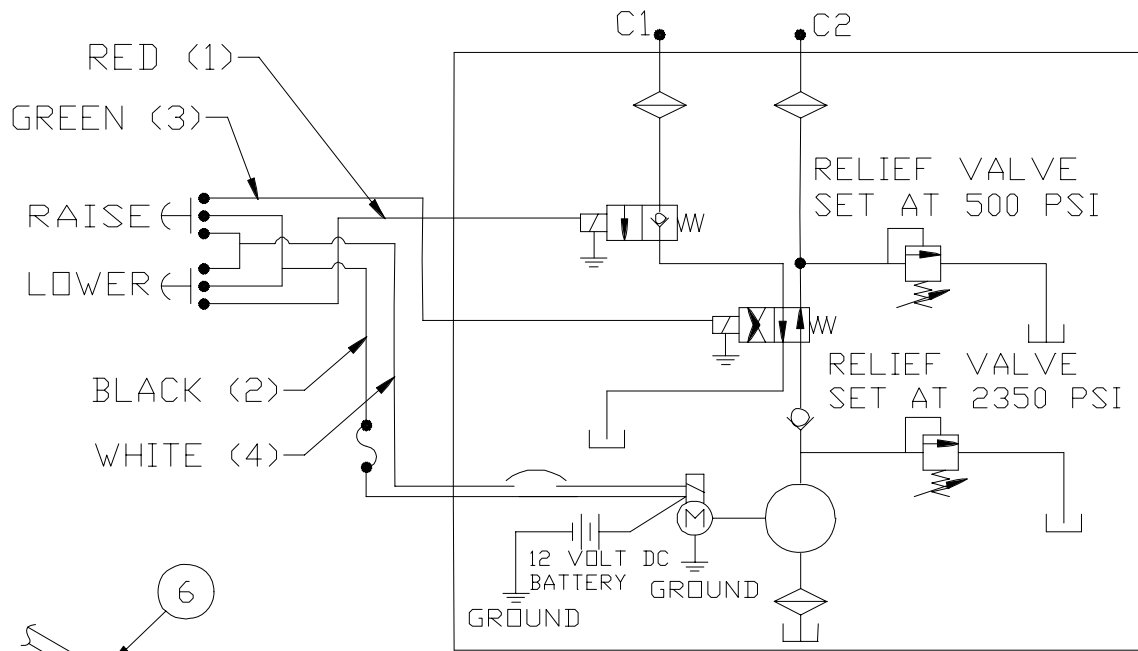
ITEM	PART NUMBER	QTY	DESCRIPTION
1	75089808	1	Toggle Switch
2	10098400	1	Control Cord Assembly
3	75082033	2	16 Ga. Butt Connector
4	75089853	1	5 AMP Fuse
5	75089850	1	Fuse Holder
6	33574100	1	Dielectric Insulation
7	33520900	1	Plug
8	10098100	1	Control Tube Assembly
9	75080055	1	Strain Relief
10	75089813	1	Recessed Switch Plate
11	75082038	1	Trailer Socket
12	75082037	1	Trailer Plug
13	75089798	1	Push Button Box Assembly
*14	10098000		Toggle Switch & Tube Kit
*15	75089800	1	Remote Box Straight Cord
	75089799	1	Remote Box Coil Cord
	80000470	1	Remote Box Straight Cord w/ plug & socket
	80000469	1	Remote Box Coil Cord w/ plug & socket
*16	80000468	1	Toggle Switch Kit
*17	80000425	1	SuperSwitch Kit
	10099302	1	Remote SuperSwitch
	80000423	1	SuperSwitch Control Kit
	80000424	1	SuperSwitch Dual Control Kit
	80000799	1	Remote SuperSwitch Kit

\*\*Boxed assemblies represent complete kits



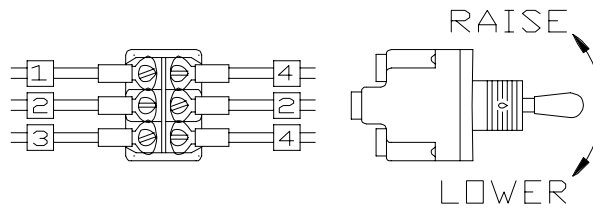
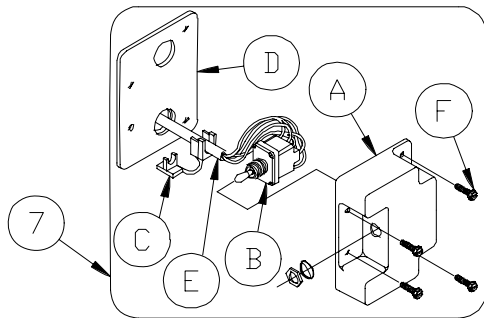
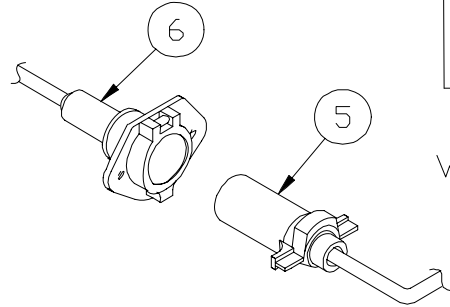
WIRE No.	COLOR	FUNCTION
1	BLACK	LOWER (DOWN)
2	GREEN	HOT (POWER)
3	WHITE	RAISE (UP)

**ELECTRIC CONTROL OPTIONS, POWER DOWN**  
(Built 2-94 thru 3-96)



WIRE NUMBER, COLOR AND FUNCTION

WIRE No	COLOR	FUNCTION
1	RED	LOWER (DOWN)
2	BLACK	HOT (POWER)
3	GREEN	RAISE (UP)
4	WHITE	MOTOR START



**WALTCO**  
TRUCK EQUIPMENT CO.

REVISED: 12-18-98  
E.O. 3768  
REV. 04

**PM-344**

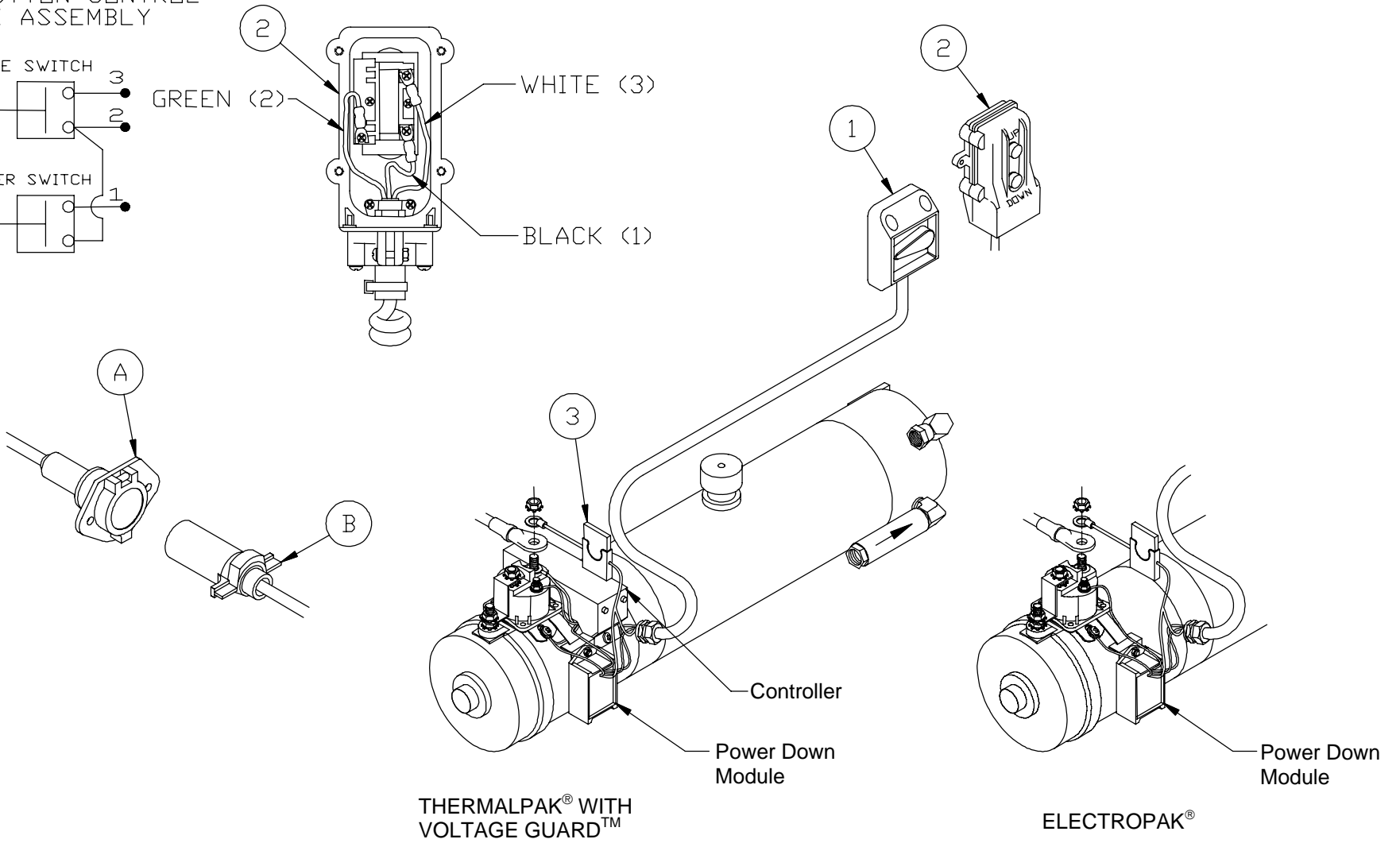
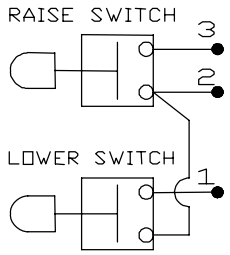
ITEM	PART NUMBER	QTY	DESCRIPTION
1	75089798	1	Remote Push Button Box Assembly
2	70400026	1	Control Cord
3	75089852	1	20 AMP Fuse
4	75089850	1	Fuse Holder
5	75082037	1	Trailer Plug (Optional)
6	75082038	1	Trailer Socket (Optional)
7	80000727		Power Down Control Kit
	80000728		Flipaway Power Down Dual Control Kit
*A	10098106	1	Switch Housing
*B	75089810	1	Toggle Switch
*C	75080055	1	Strain Relief
*D	10098206	1	Gasket
<sup>a</sup> E	10098406	1	Control Cord Assembly(10')
	10098407		Control Cord Assembly (15') (Dual Control)
*F	75086919	4	#10 x 1" lg Self Tapping Screw

\* These parts are included in kit 80000727 and 80000728.

<sup>a</sup> These parts are included in kit 80000727 or 80000728.

**ELECTRIC CONTROL OPTIONS, POWER DOWN**  
 (F-20, 30 - Built 3-96 thru 2-00, F-40 – Built 3-96 thru 7-04)

TWO BUTTON CONTROL BOX ASSEMBLY

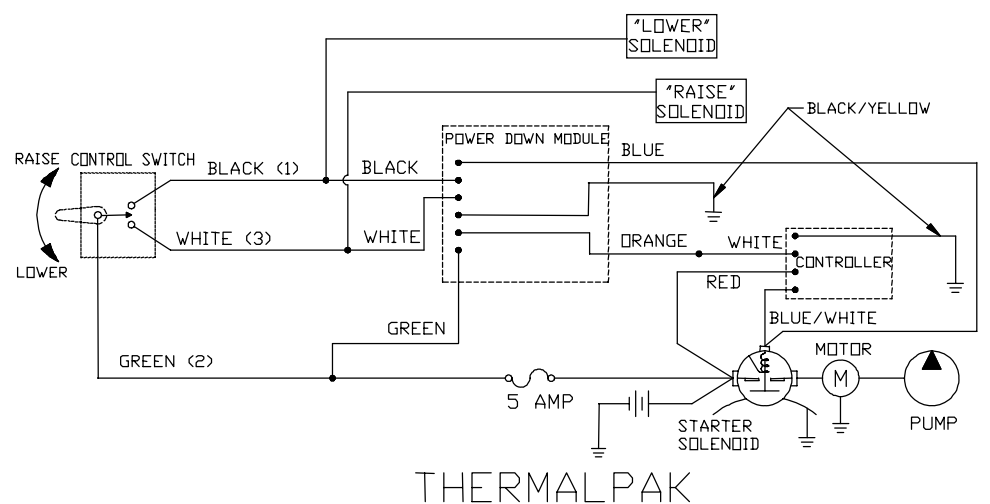
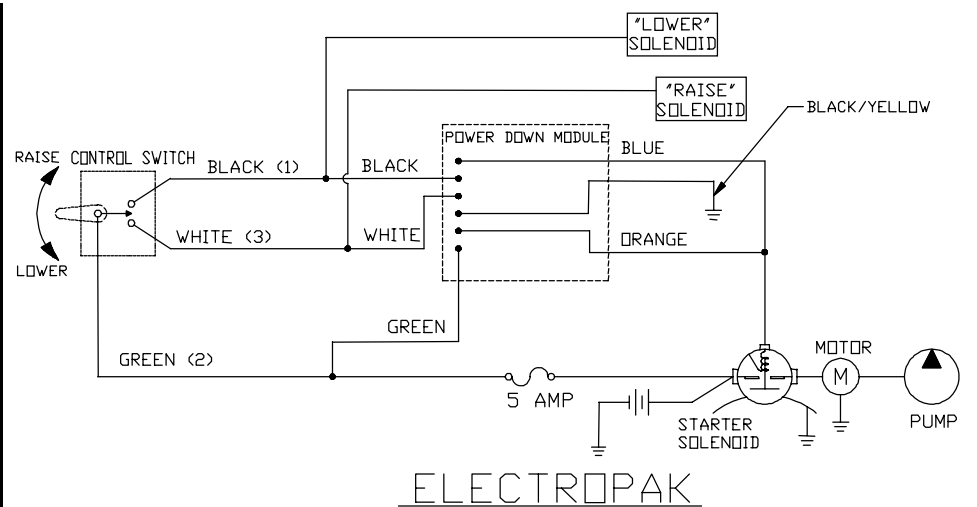


**WALTCO**  
 TRUCK EQUIPMENT CO.

REVISED: 5-1-04  
 E.O. 5221B  
 REV. 06

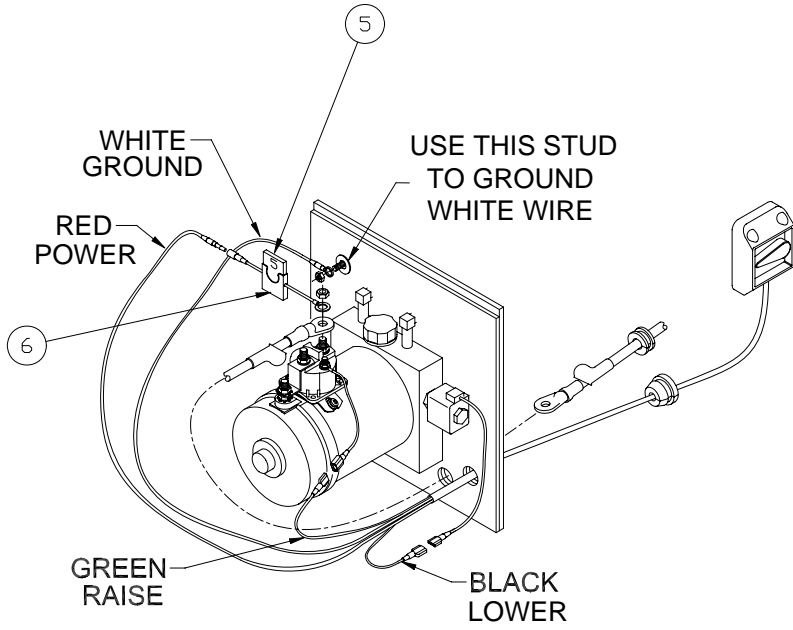
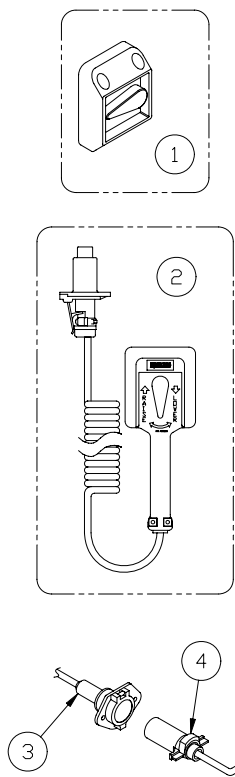
**PM-489**

ITEM	PART NUMBER	QTY	DESCRIPTION
1	80000425*		SuperSwitch™
	10099302**		Remote SuperSwitch™
	22595007		Superswitch Power Down Kit
2	75089798 <sup>A</sup>		Push Button Switch
	75089799 <sup>B</sup>		Remote Push Button Switch with Coil Cord
	75089800 <sup>C</sup>		Remote Push Button Switch w/Straight Cord
	80000797		Push Button Power Down Kit
	80000795		Remote Push Button Power Down Kit, CC
	80000796		Remote Push Button Power Down Kit, SC
A	75082037 <sup>BC</sup>		Trailer Plug
B	75082038 <sup>BC</sup>		Trailer Socket
3	75089853		5 amp Fuse

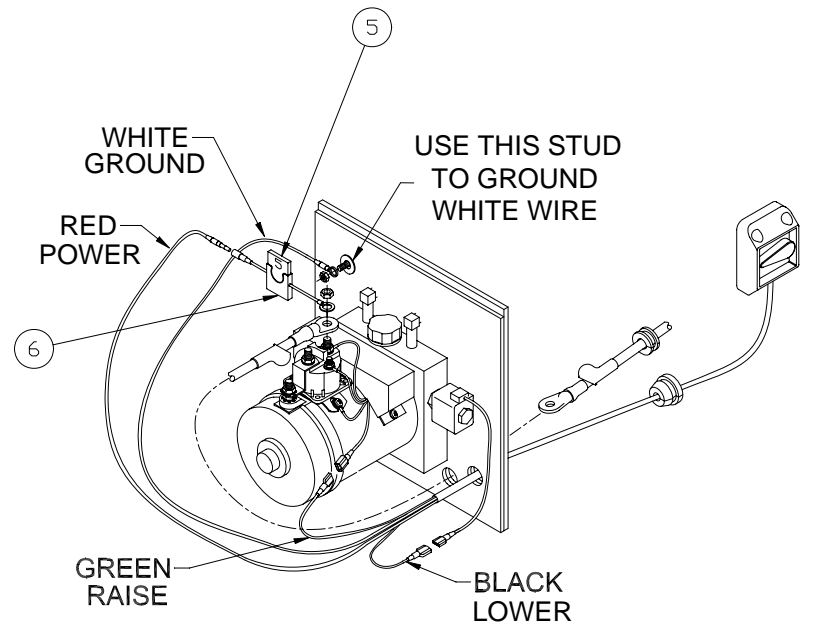


\* Included in kit 22595007  
 \*\* Included in kit 80000978  
<sup>A</sup> Included in kit 80000797  
<sup>B</sup> Included in kit 80000795  
<sup>C</sup> Included in kit 80000796

**ELECTRIC CONTROL OPTIONS – Gravity Down**  
(Built 2-00 thru 7-08)



**Electropak®**



**Thermalpak® with Voltage Guard™**

**WALTCO**  
**TRUCK EQUIPMENT CO.**

REVISED: 5-7-04  
E.O. 5337G  
REV. 03

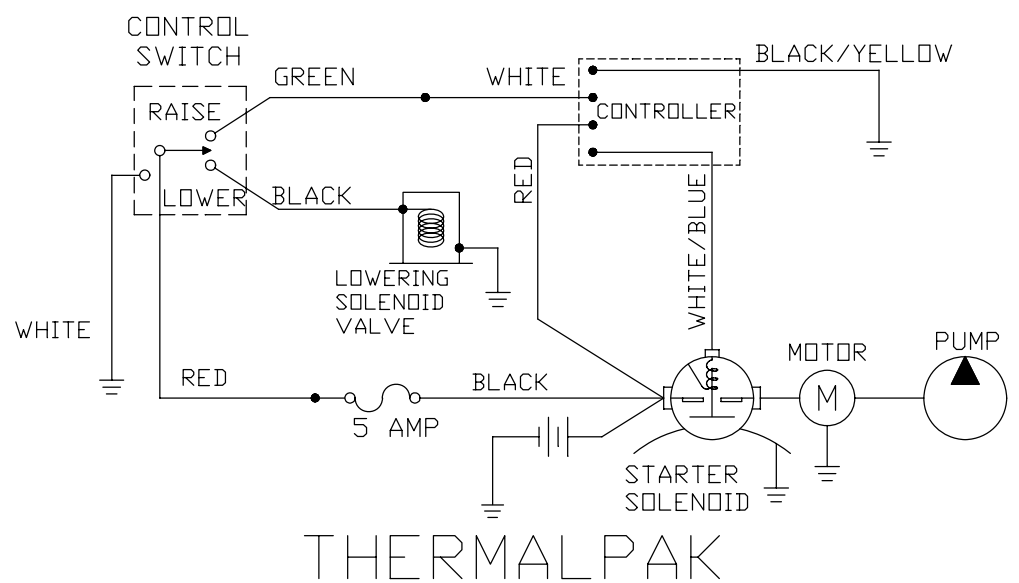
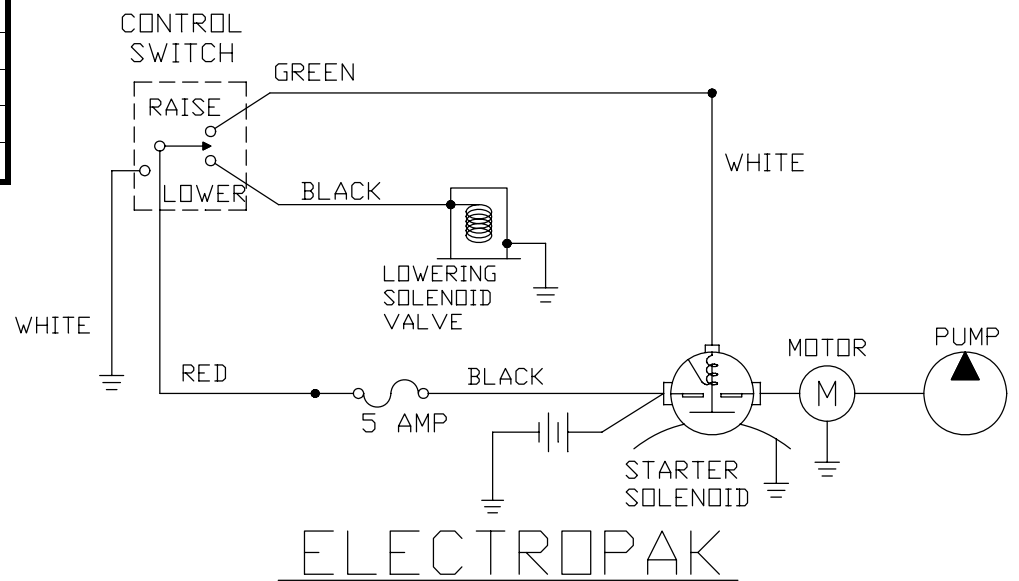
**PM-617**

ITEM	PART NUMBER	QTY	DESCRIPTION
1	10099322 <sup>a</sup>	1	SuperSwitch™ (for curb side)
	10099323 <sup>b</sup>	1	SuperSwitch™ (for Dual Control Harness)
2	10099325 <sup>c</sup>	1	SuperSwitch™ (Hand Held Remote)
3	75082038	1	Trailer Socket
4	75082037	1	Trailer Plug
5	75089853	1	5 Amp Fuse
6	75089850	1	Fuse Holder

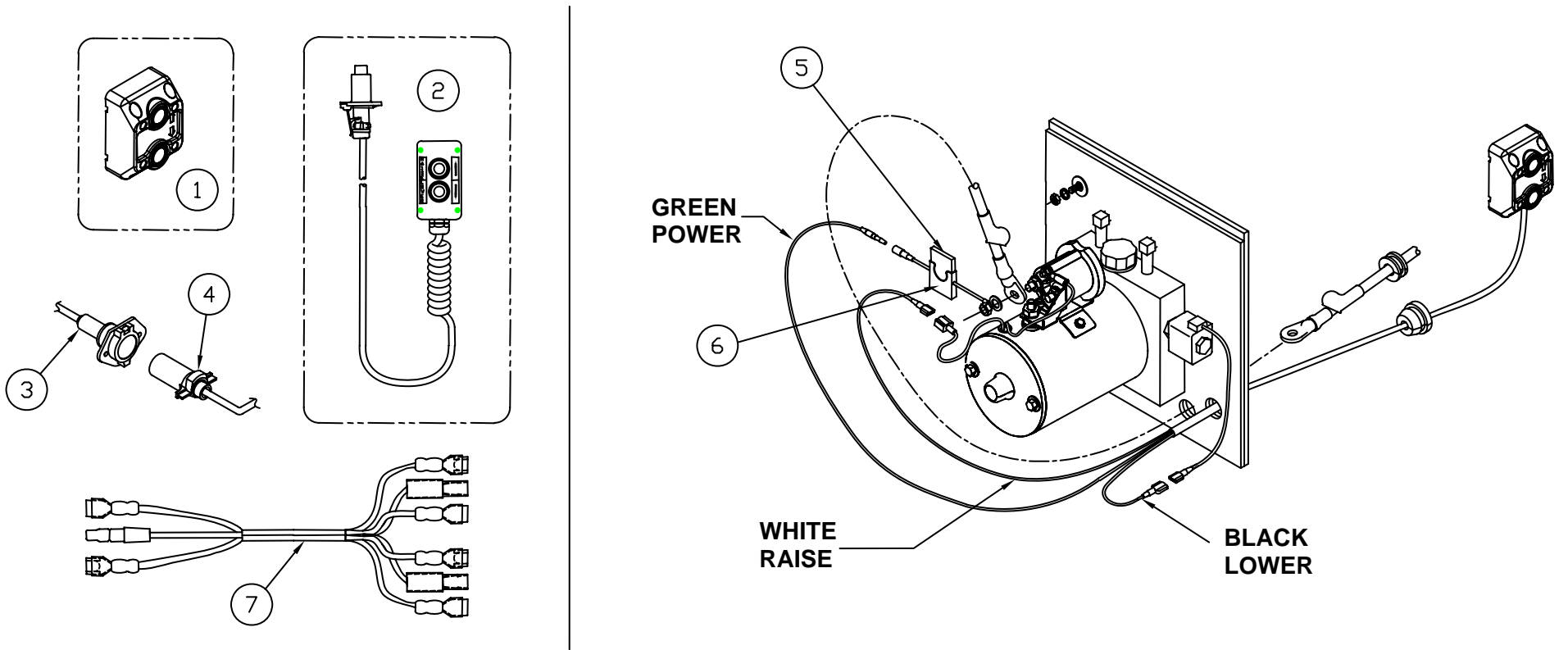
<sup>a</sup> Included in SuperSwitch™ Kit 80000428.

<sup>b</sup> Included in SuperSwitch™ Dual Control Kit 80000434.

<sup>c</sup> Included in SuperSwitch™ Hand Held Remote Kit 80000430.



**ELECTRIC CONTROL OPTIONS – Gravity Down**  
 (Built from 7-08 thru 8-09)



**WALTCO LIFT CORP.**

REVISED: 7-1-08  
 E.O. 6046  
 REV. 01

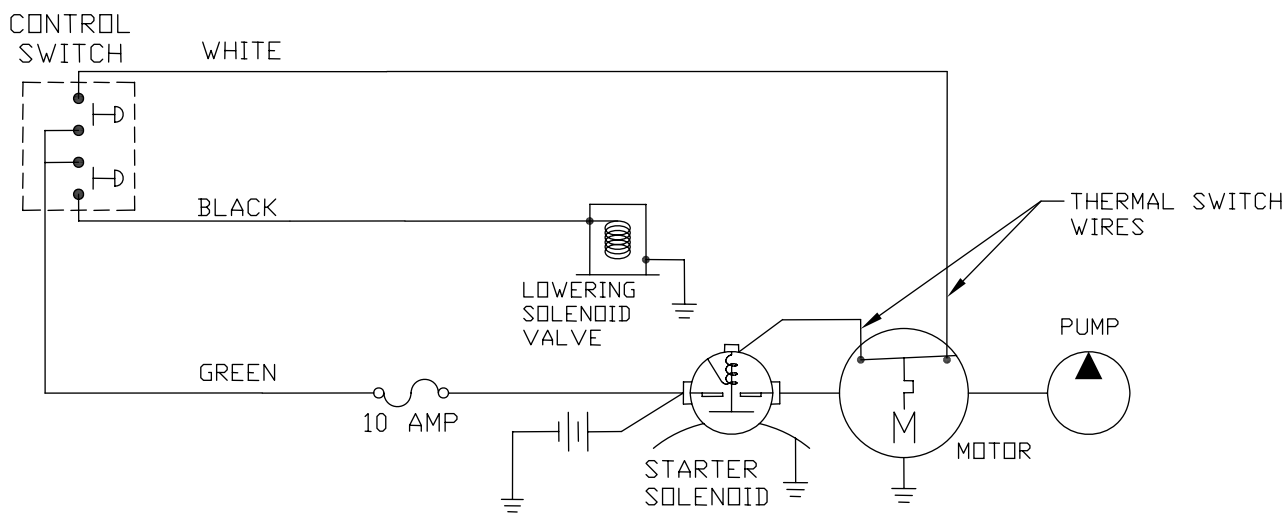
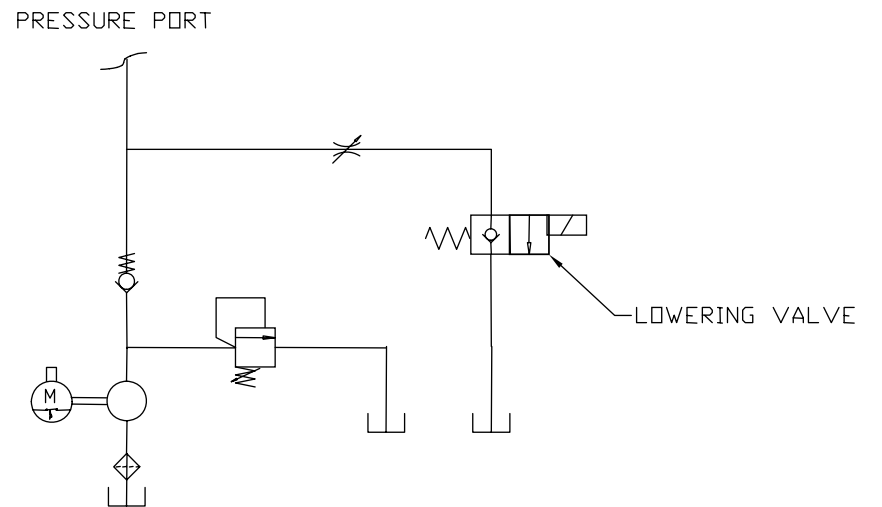
**PM-617A**

	PART NUMBER	QTY	DESCRIPTION
1	10099322 <sup>a</sup>	1	Switch w/10ft Cord (for curb side)
	10099323 <sup>b</sup>	1	Switch w/15ft Cord (for Dual Control)
2	10099325 <sup>c</sup>	1	Switch (Hand Held Remote)
3	75082038	1	Trailer Socket
4	75082037	1	Trailer Plug
5	75089851	1	10 Amp Fuse
6	75089850	1	Fuse Holder
7	10098413	1	Dual Control Harness

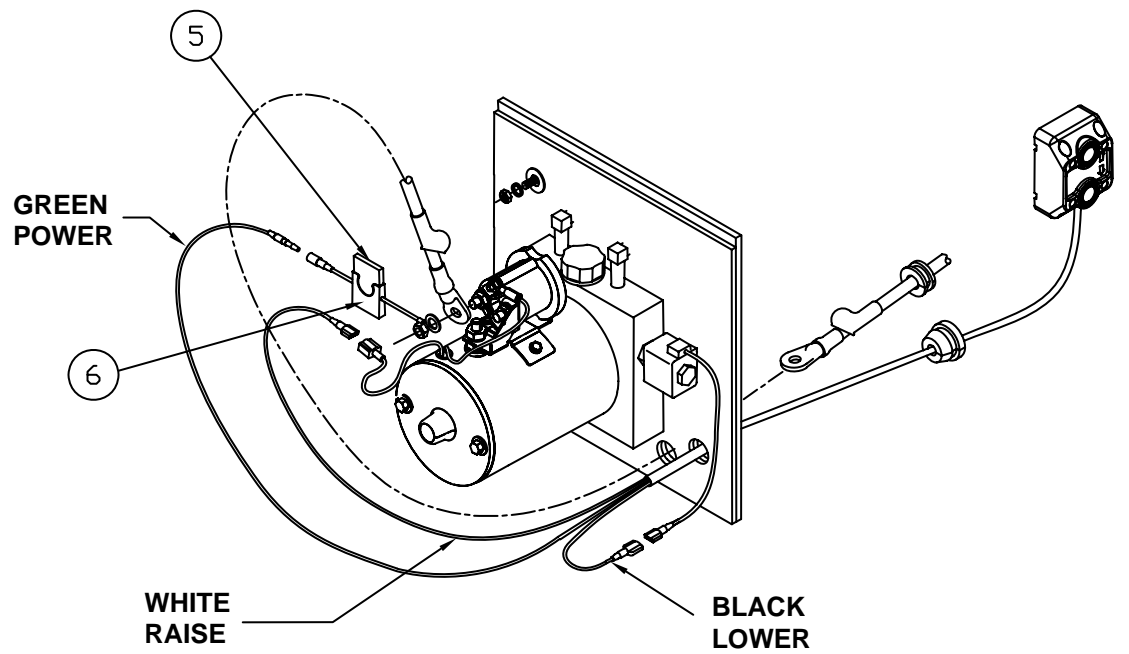
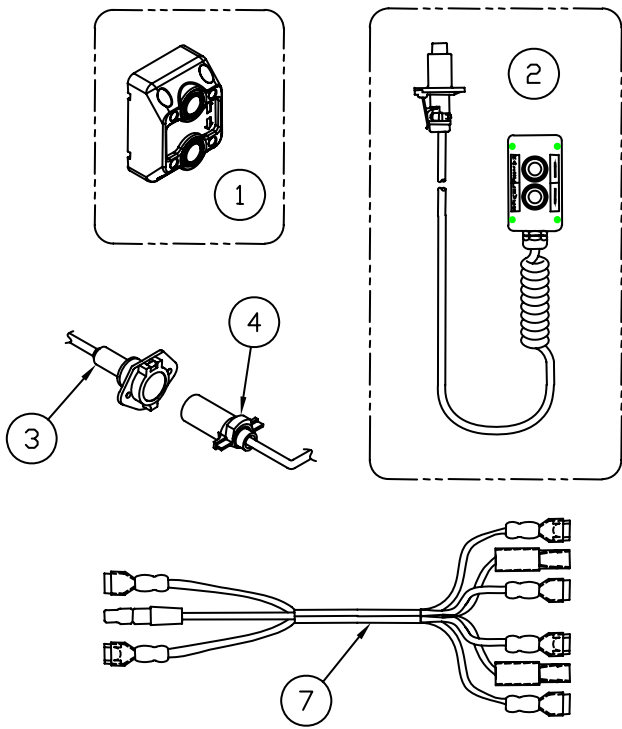
<sup>a</sup> Included in Switch Kit 80000428.

<sup>b</sup> Included in Switch Dual Control Kit 80000434.

<sup>c</sup> Included in Switch Hand Held Remote Kit 80000430.



**ELECTRIC CONTROL OPTIONS – GRAVITY DOWN**  
(Built from 8-09)



**WALTCO LIFT CORP.**

REVISED: 12-17-09  
E.O. 6339  
REV. 02

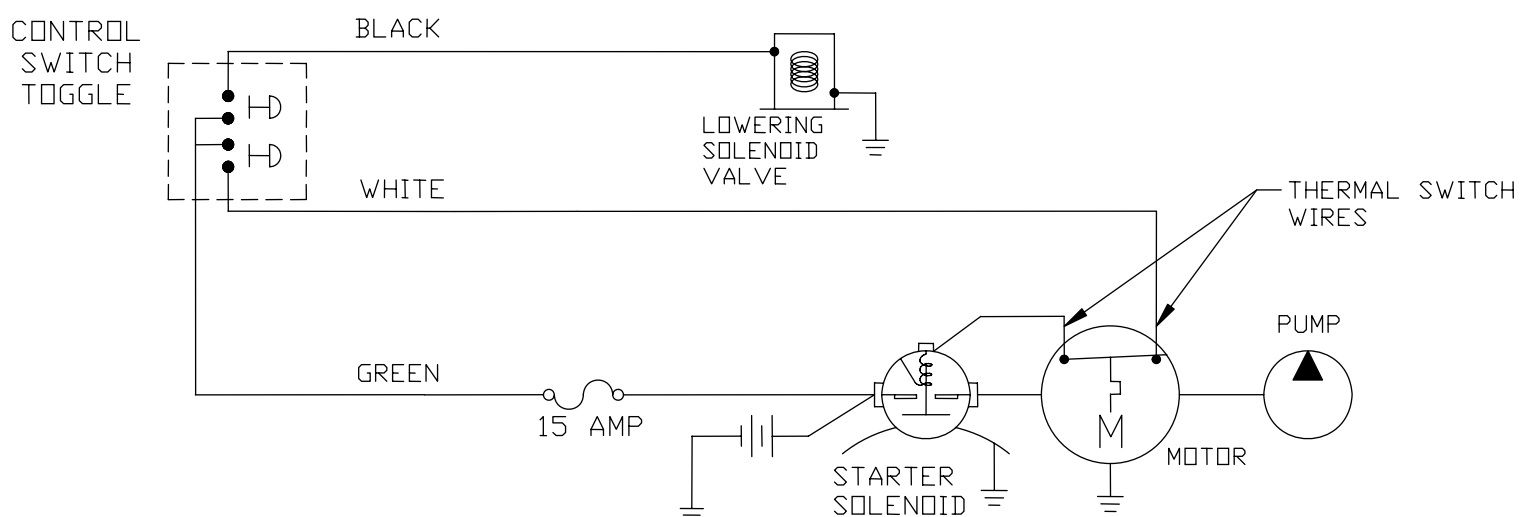
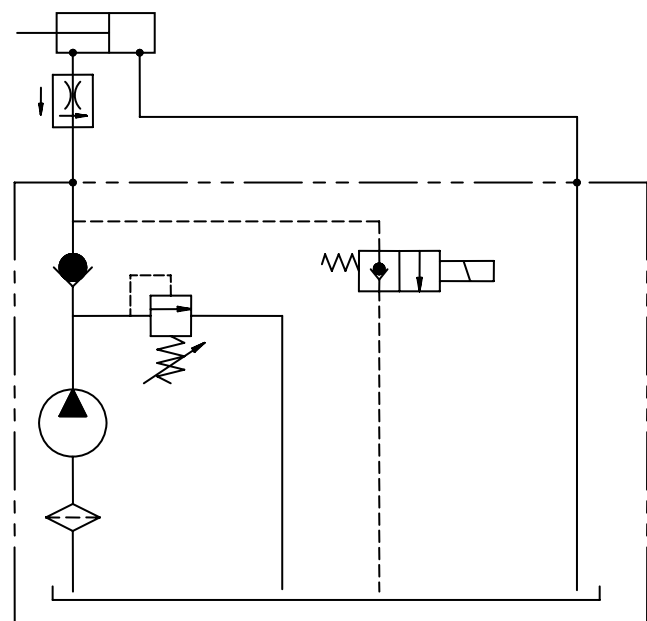
**PM-617B**

	PART NUMBER	QTY	DESCRIPTION
1	10099322 <sup>a</sup>	1	Switch w/10ft Cord (for curb side)
	10099323 <sup>b</sup>	1	Switch w/15ft Cord (for Dual Control)
2	10099325 <sup>c</sup>	1	Switch (Hand Held Remote)
3	75082038	1	Trailer Socket
4	75082037	1	Trailer Plug
5	75089854	1	15 Amp Fuse
6	75089850	1	Fuse Holder
7	10098413	1	Dual Control Harness

<sup>a</sup> Included in Switch Kit 80000428.

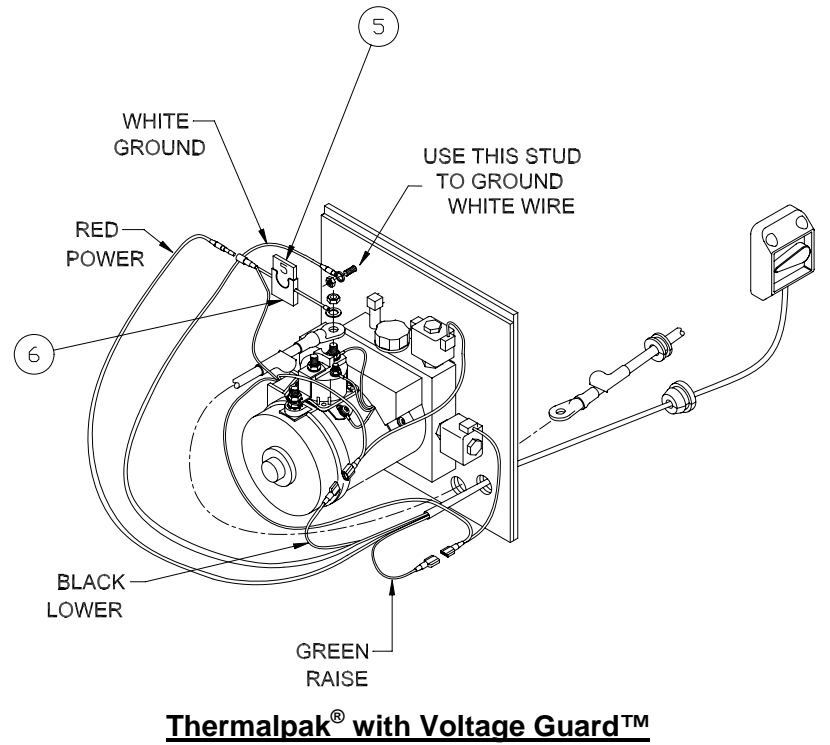
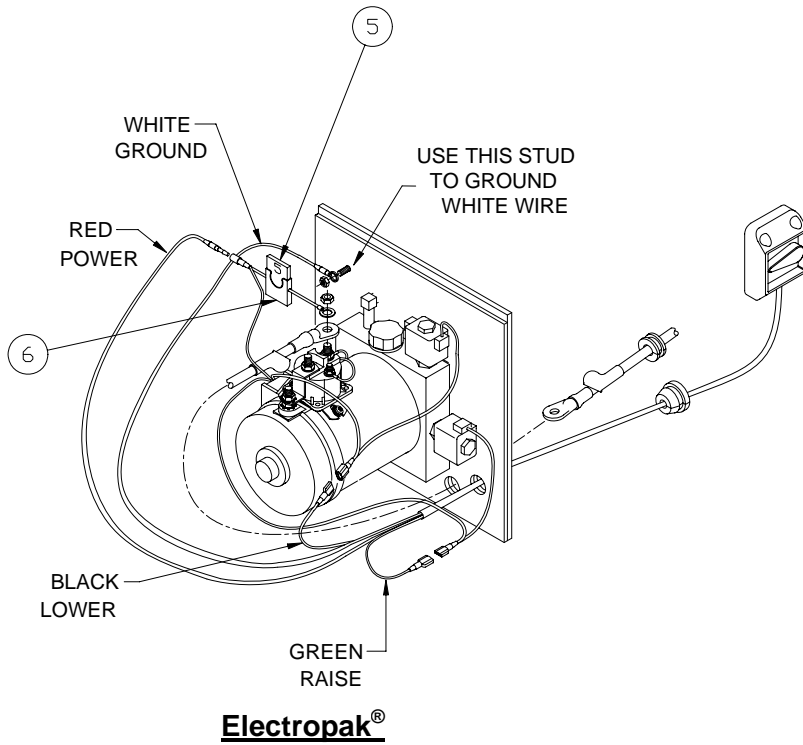
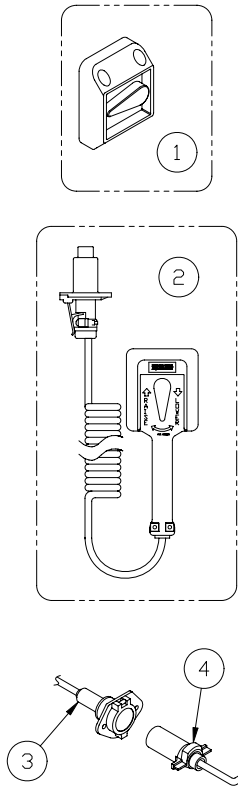
<sup>b</sup> Included in Switch Dual Control Kit 80000434.

<sup>c</sup> Included in Switch Hand Held Remote Kit 80000430.





**ELECTRIC CONTROL OPTIONS – Power Down**  
(Built 2-00 thru 7-08)



**WALTCO**  
TRUCK EQUIPMENT CO.

REVISED: 5-1704  
E.O. 5337G  
REV. 03

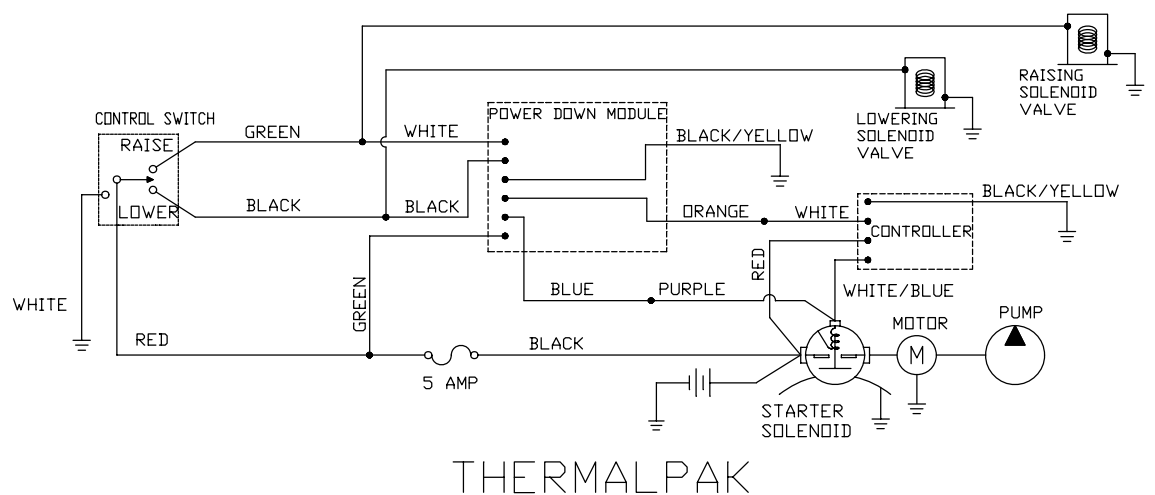
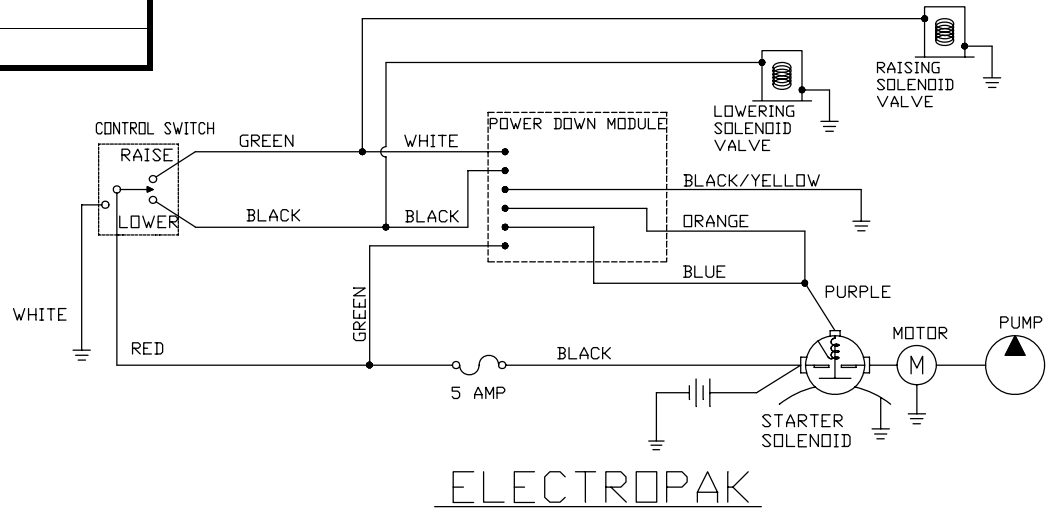
**PM-618**

ITEM	PART NUMBER	QTY	DESCRIPTION
1	10099322 <sup>a</sup>	1	SuperSwitch™ (for curb side)
	10099323 <sup>b</sup>	1	SuperSwitch™ (for Dual Control Harness)
2	10099325 <sup>c</sup>	1	SuperSwitch™ (Hand Held Remote)
3	75082038	1	Trailer Socket
4	75082037	1	Trailer Plug
5	75089853	1	5 Amp Fuse
6	75089850	1	Fuse Holder

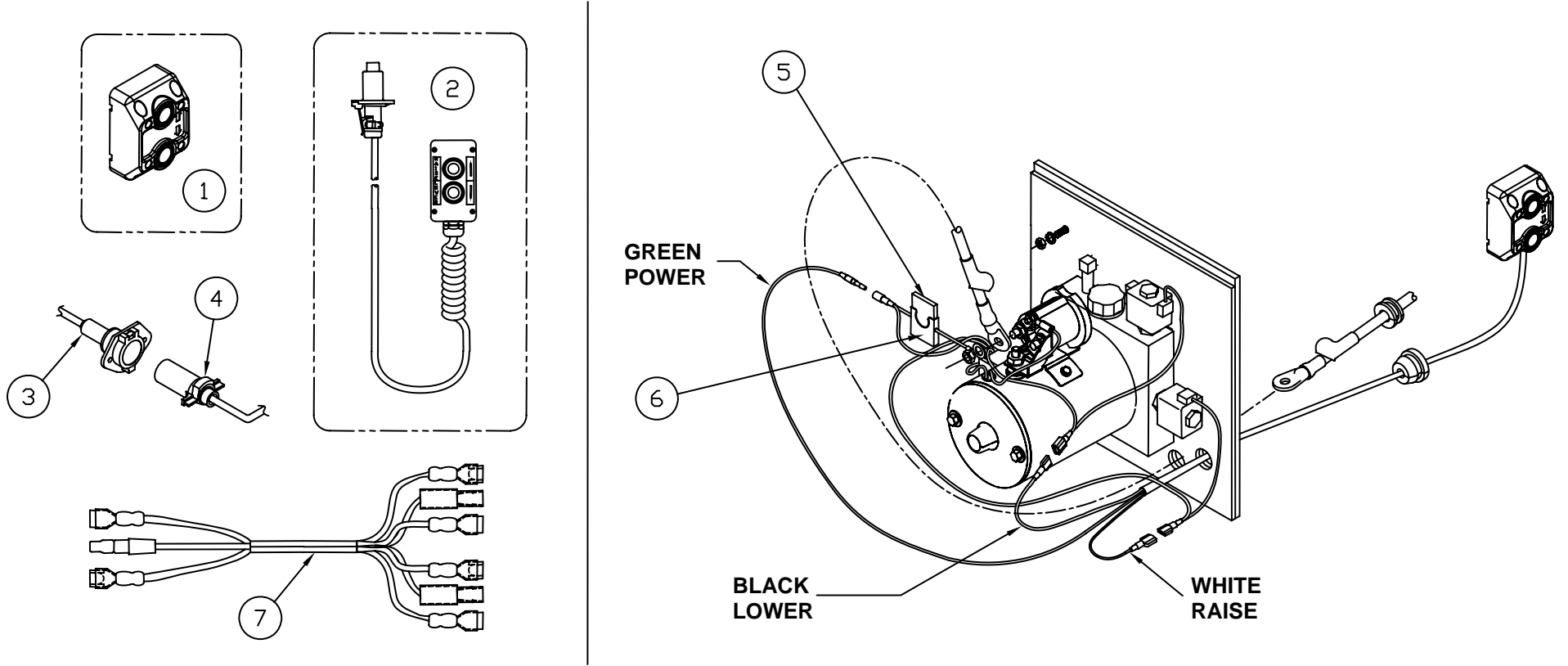
<sup>a</sup> Included in SuperSwitch™ Kit 80000428.

<sup>b</sup> Included in SuperSwitch™ Dual Control Kit 80000434.

<sup>c</sup> Included in SuperSwitch™ Hand Held Remote Kit 80000430.



**ELECTRIC CONTROL OPTIONS – Power Down**  
(Built 7-08 thru 10-08)



**WALTCO** LIFT CORP.

REVISED: 7-1-08  
E.O. 6046  
REV. 01

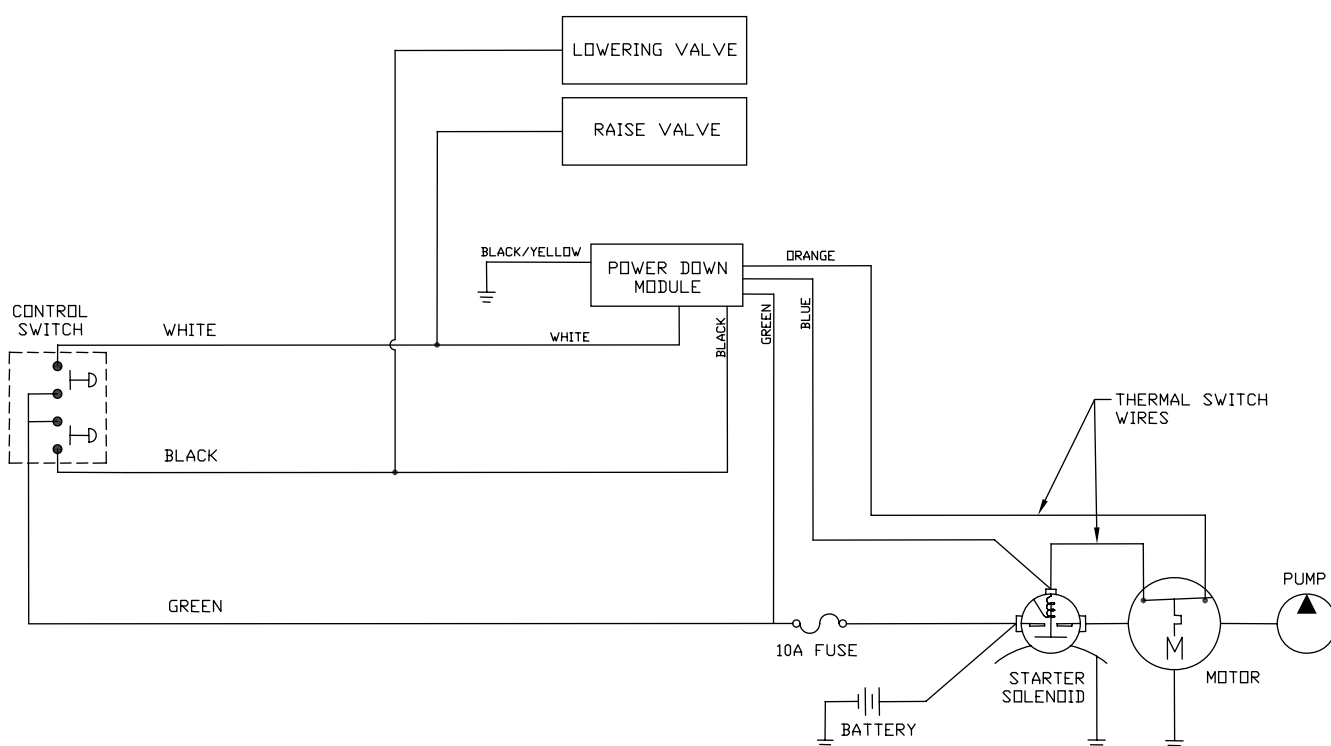
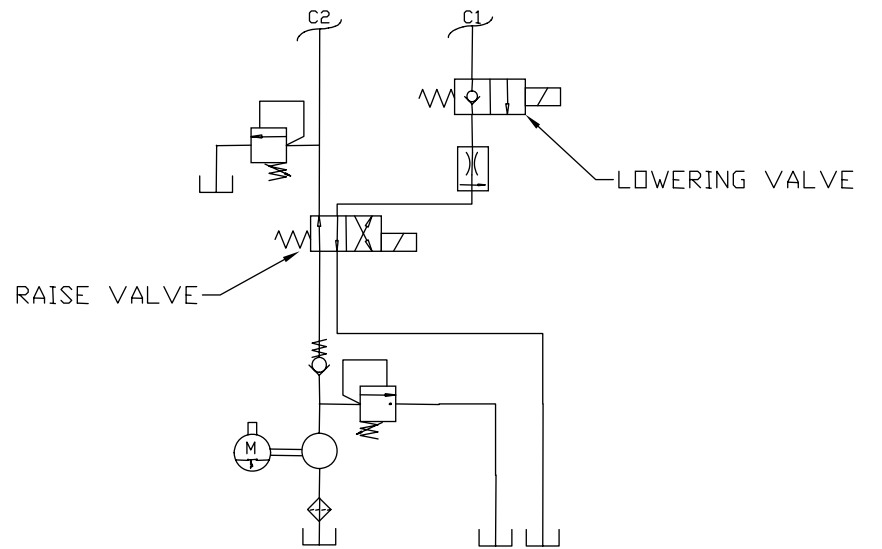
**PM-618A**

ITEM	PART NUMBER	QTY	DESCRIPTION
1	10099322 <sup>a</sup>	1	Switch w/10ft Cord (for curb side)
	10099323 <sup>b</sup>	1	Switch w/15ft Cord (for Dual Control)
2	10099325 <sup>c</sup>	1	Switch (Hand Held Remote)
3	75082038	1	Trailer Socket
4	75082037	1	Trailer Plug
5	75089851	1	10 Amp Fuse
6	75089850	1	Fuse Holder
7	10098413	1	Dual Control Harness

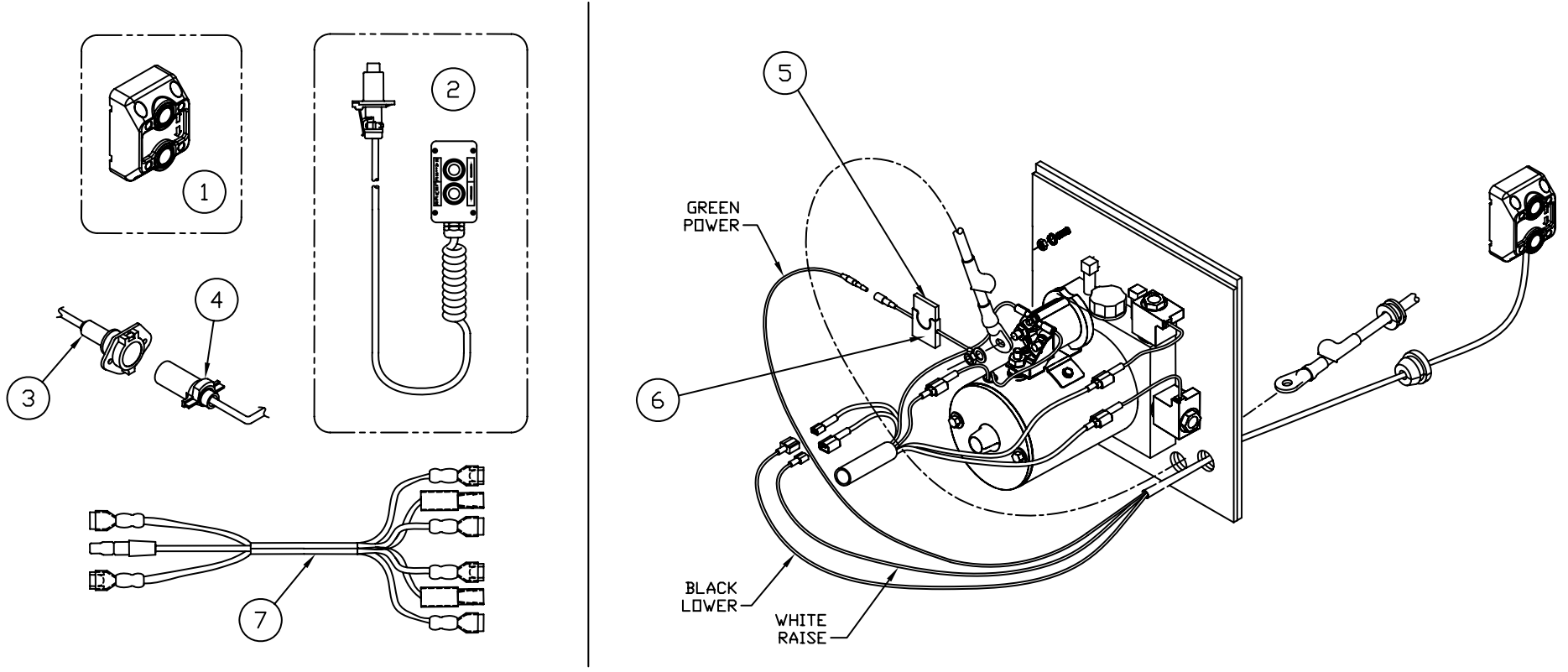
<sup>a</sup> Included in Switch™ Kit 80000428.

<sup>b</sup> Included in Switch™ Dual Control Kit 80000434.

<sup>c</sup> Included in Switch™ Hand Held Remote Kit 80000430.



**ELECTRIC CONTROL OPTIONS – Power Down**  
 (Built from 10-08 thru 8-09)



**WALTCO LIFT CORP.**

REVISED: 9-26-08  
 E.O. 6076A  
 REV. 01

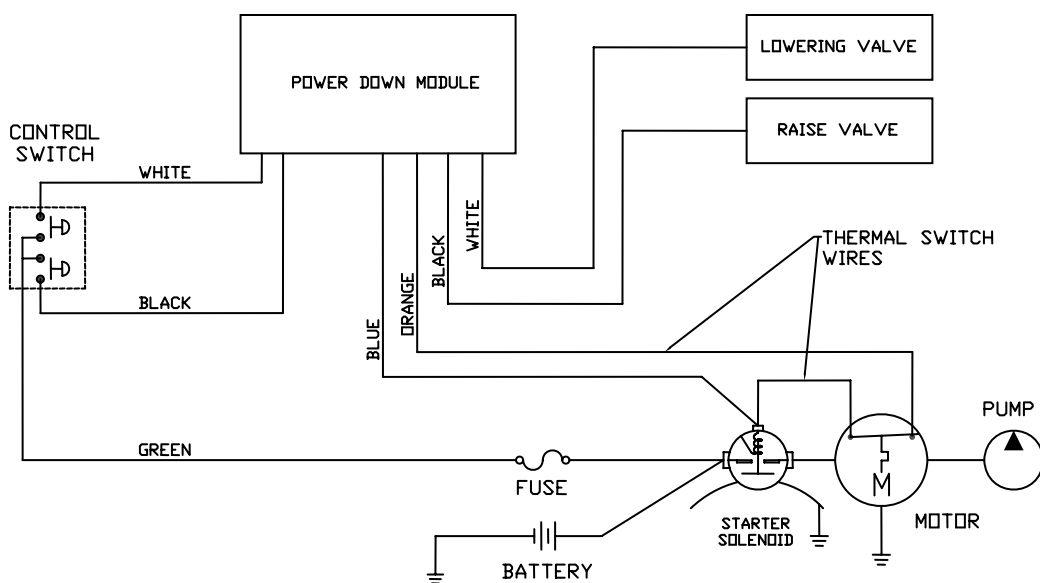
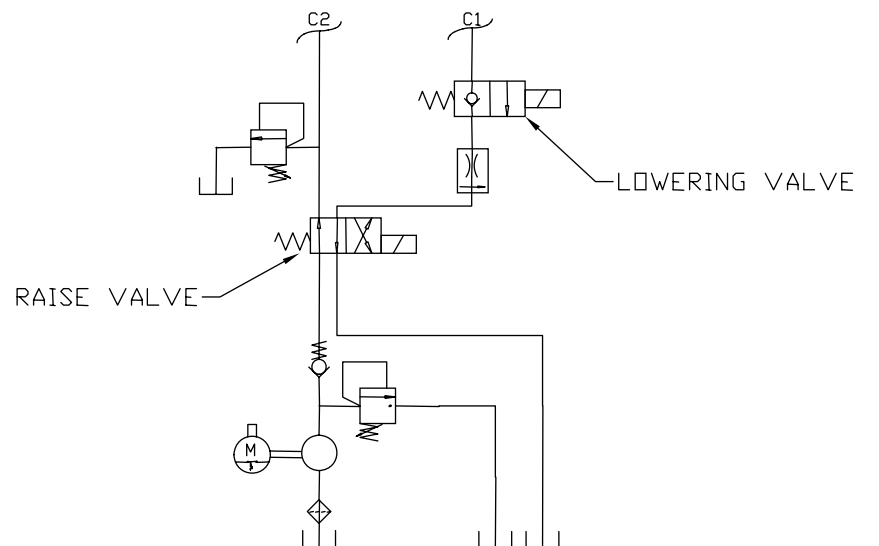
**PM-618B**

ITEM	PART NUMBER	QTY	DESCRIPTION
1	10099322 <sup>a</sup>	1	Switch w/10ft Cord (for curb side)
	10099323 <sup>b</sup>	1	Switch w/15ft Cord (for Dual Control)
2	10099325 <sup>c</sup>	1	Switch (Hand Held Remote)
3	75082038	1	Trailer Socket
4	75082037	1	Trailer Plug
5	75089853	1	5 Amp Fuse
6	10099309	1	Fuse Holder
7	10098413	1	Dual Control Harness

<sup>a</sup> Included in Switch™ Kit 80000428.

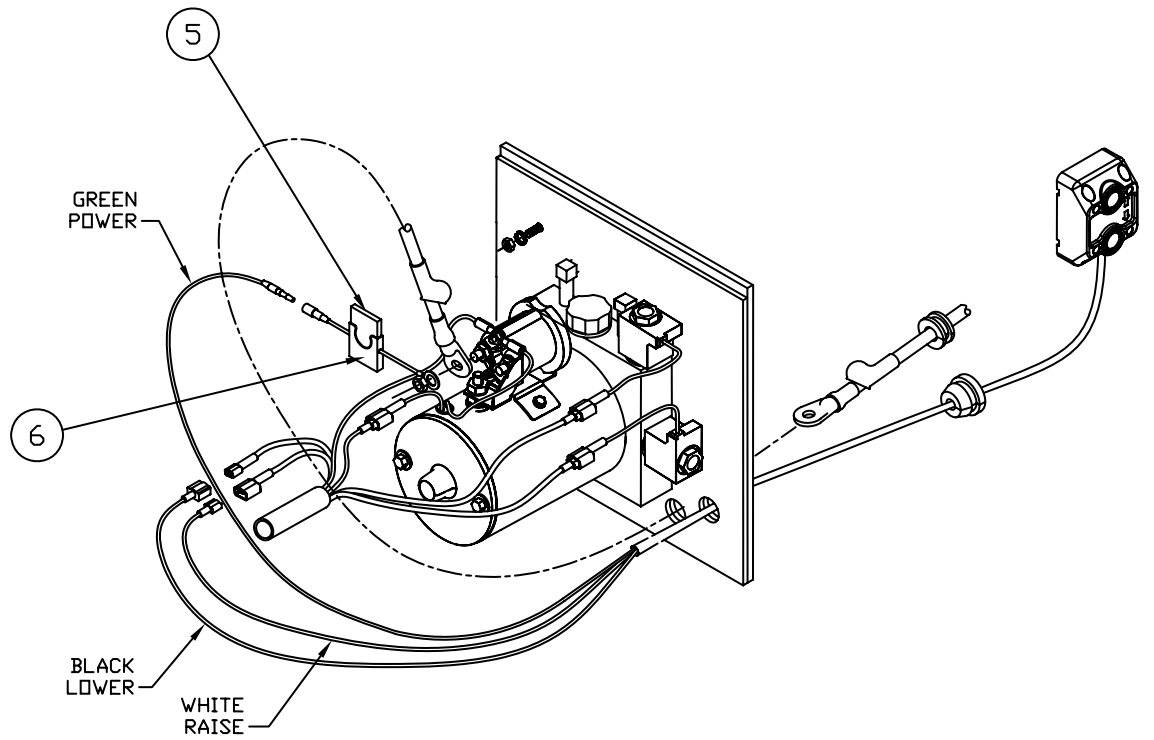
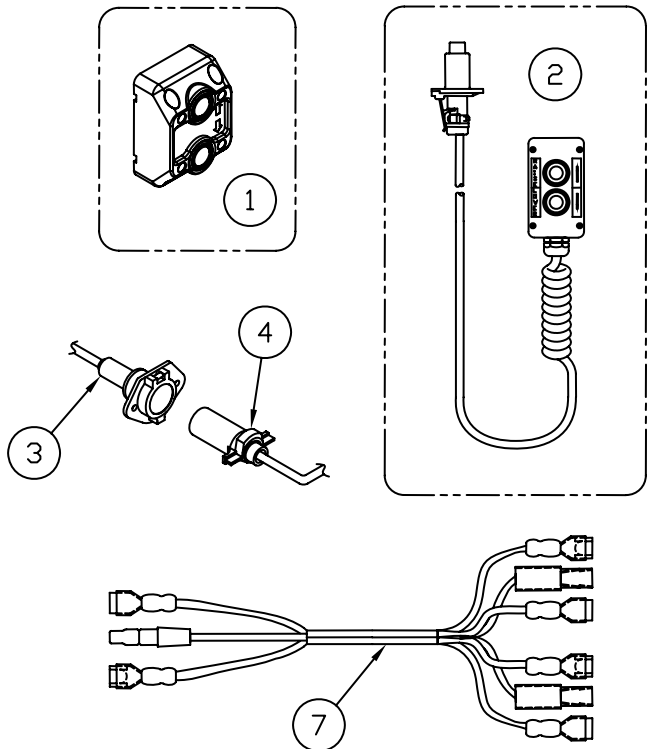
<sup>b</sup> Included in Switch™ Dual Control Kit 80000434.

<sup>c</sup> Included in Switch™ Hand Held Remote Kit 80000430.



# ELECTRIC CONTROL OPTIONS – POWER DOWN

(Built from 8-09)



**WALTCO** LIFT CORP.

REVISED: 12-11-09  
E.O. 6339  
REV. 02

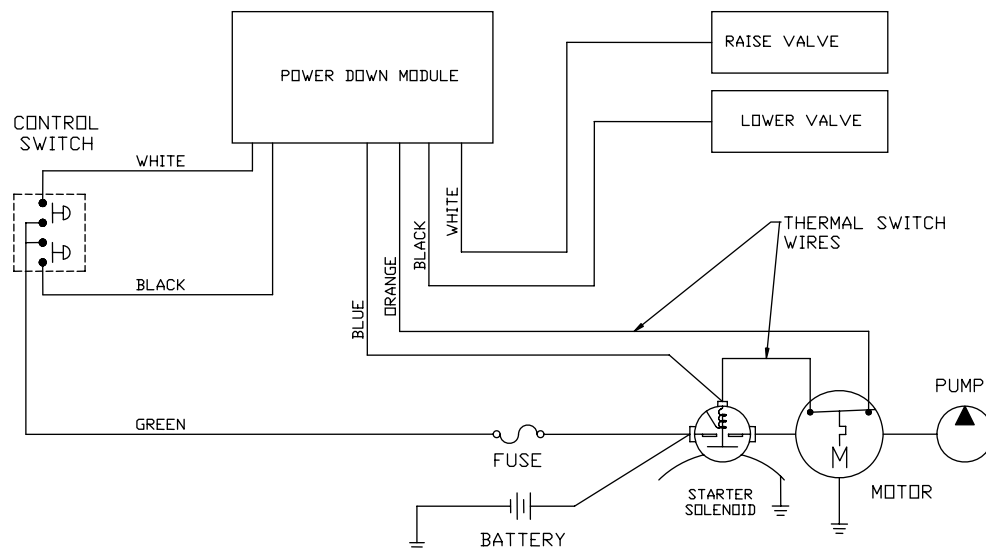
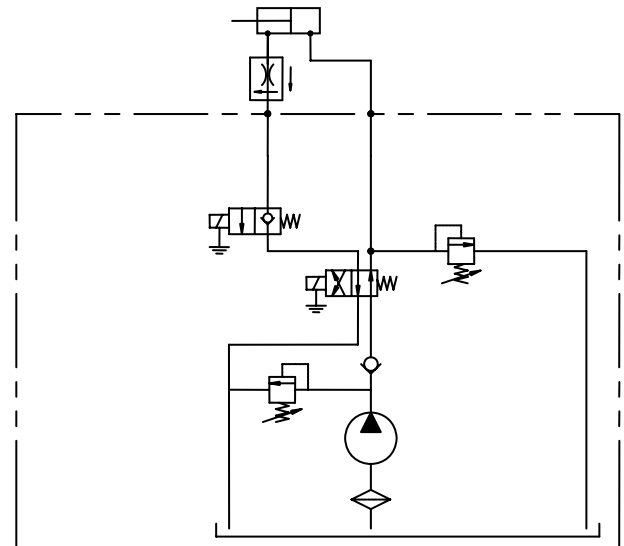
**PM-618C**

ITEM	PART NUMBER	QTY	DESCRIPTION
1	10099322 <sup>a</sup>	1	Switch w/10ft Cord (for curb side)
	10099323 <sup>b</sup>	1	Switch w/15ft Cord (for Dual Control)
2	10099325 <sup>c</sup>	1	Switch (Hand Held Remote)
3	75082038	1	Trailer Socket
4	75082037	1	Trailer Plug
5	75089854	1	15 Amp Fuse
6	10099309	1	Fuse Holder
7	10098413	1	Dual Control Harness

<sup>a</sup> Included in Switch™ Kit 80000428.

<sup>b</sup> Included in Switch™ Dual Control Kit 80000434.

<sup>c</sup> Included in Switch™ Hand Held Remote Kit 80000430.



# F & F RM-SERIES PUMPS & CYLINDER Parts Drawings

If unsure of the correct pump or cylinder part number, [click here](#).

## QUICK TIP:

Most pumps have a pump pressure decal on them that also includes the pump part number. This number will always be an 8-digit part number. If still unsure, please contact Waltco for assistance.

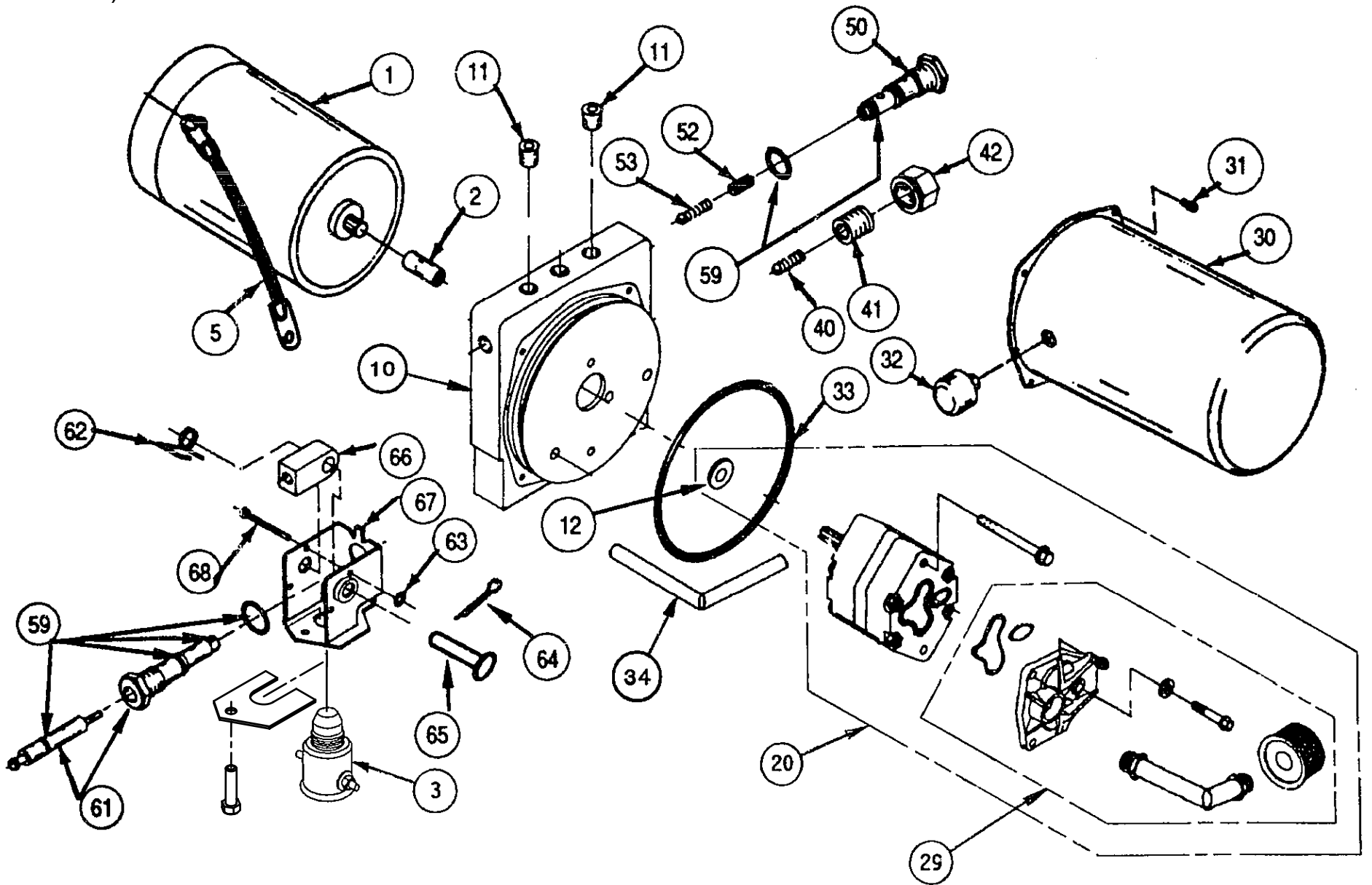
## CYLINDERS

Part Number	Description	PM No.
20280010	Lift Cylinder	<a href="#">PM-263</a>
20280020	Lift Cylinder	<a href="#">PM-264</a>
20280022	Lift Cylinder	<a href="#">PM-263</a>
20280050	Lift Cylinder	<a href="#">PM-211</a>
20280090	Lift Cylinder	<a href="#">PM-585</a>
20280091	Lift Cylinder	<a href="#">PM-211</a>

## HYDRAULIC PUMPS

Part Number	Description	Pump Mfr.	PM No.
22195000	Hydraulic Pump Assembly	Fenner	<a href="#">PM-110B</a>
70400300	Hydraulic Pump Assembly	Monarch	<a href="#">PM-398</a>
30195000	Hydraulic Pump Assembly	Fenner	<a href="#">PM-111B</a>
20295000	Hydraulic Pump Assembly	Fenner	<a href="#">PM-247A</a>
20495000	Hydraulic Pump Assembly	Fenner	<a href="#">PM-112B</a>
70400475	Hydraulic Pump Assembly	Monarch	<a href="#">PM-397</a>
35495000	Hydraulic Pump Assembly	Fenner	<a href="#">PM-108B</a>
37495000	Hydraulic Pump Assembly	Fenner	<a href="#">PM-108B</a>
70400000	Hydraulic Pump Assembly	Monarch	<a href="#">PM-352</a>
70400025	Hydraulic Pump Assembly	Monarch	<a href="#">PM-354</a>
70400150	Hydraulic Pump Assembly	Monarch	<a href="#">PM-462</a>
70400850	Hydraulic Pump Assembly	Monarch	<a href="#">PM-462</a>
70400700	Hydraulic Pump Assembly	Monarch	<a href="#">PM-352</a>
70400725	Hydraulic Pump Assembly	Monarch	<a href="#">PM-354</a>
70401400	Hydraulic Pump Assembly	Monarch	<a href="#">PM-555</a>
70401450	Hydraulic Pump Assembly	Monarch	<a href="#">PM-555</a>
70401425	Hydraulic Pump Assembly	Monarch	<a href="#">PM-556</a>
70401475	Hydraulic Pump Assembly	Monarch	<a href="#">PM-556</a>
70401700	Hydraulic Pump Assembly	Monarch	<a href="#">PM-555</a>
70401750	Hydraulic Pump Assembly	Monarch	<a href="#">PM-555</a>
70401725	Hydraulic Pump Assembly	Monarch	<a href="#">PM-556</a>
70401775	Hydraulic Pump Assembly	Monarch	<a href="#">PM-556</a>
70401900	Hydraulic Pump Assembly	Monarch	<a href="#">PM-555</a>
70401950	Hydraulic Pump Assembly	Monarch	<a href="#">PM-555</a>
70401925	Hydraulic Pump Assembly	Monarch	<a href="#">PM-556</a>
70401975	Hydraulic Pump Assembly	Monarch	<a href="#">PM-556</a>
70430320	Hydraulic Pump Assembly	Monarch	<a href="#">PM-555</a>
70430430	Hydraulic Pump Assembly	Monarch	<a href="#">PM-556</a>

**SOLENOID OPERATED PUMP UNIT**  
(Built thru 2-94)



**WALTCO**  
TRUCK EQUIPMENT CO.  
22195000

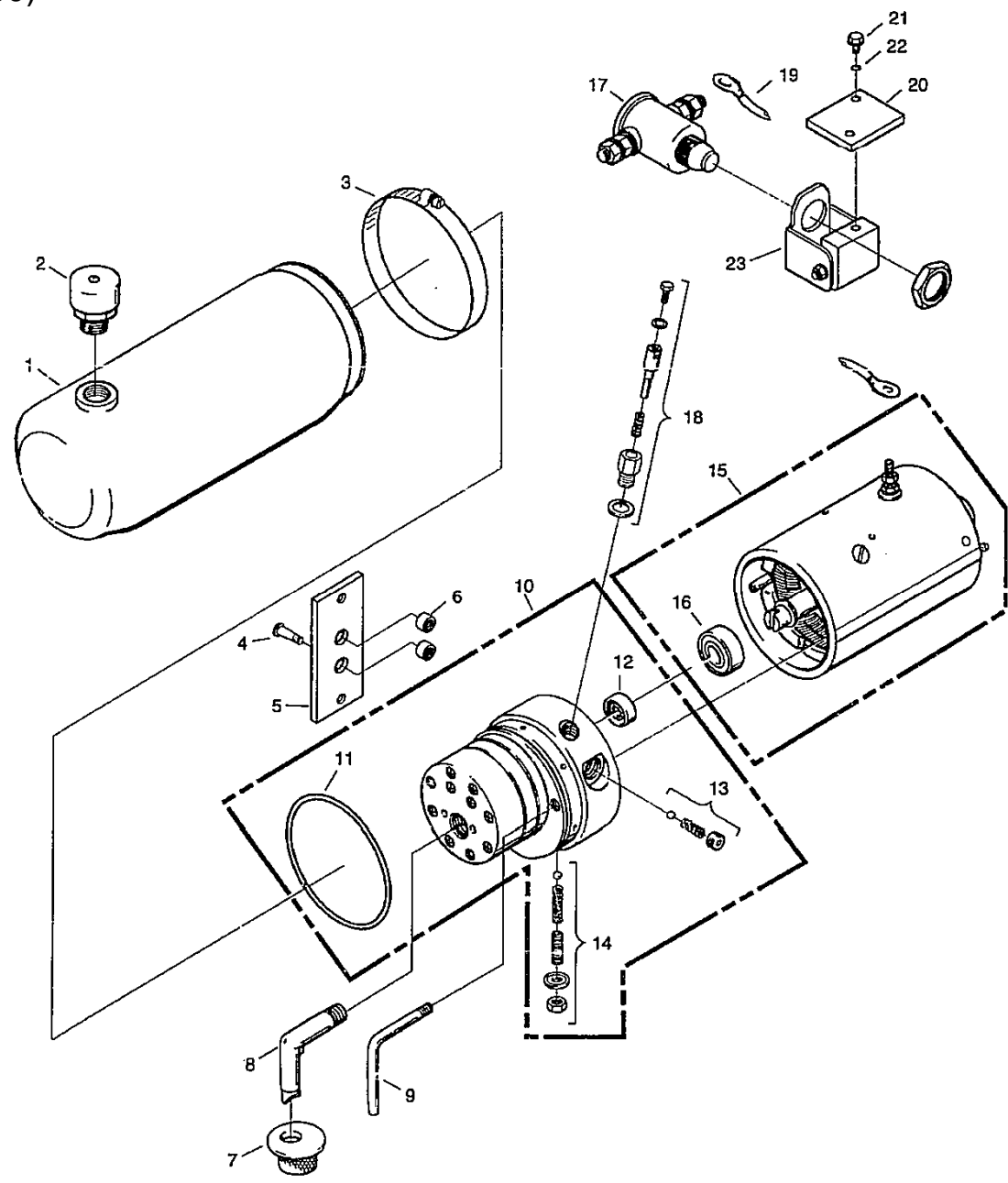
REVISED: 8-1-09  
E.O. 6251  
REV. 05

**PM-110B**

ITEM	PART NUMBER	QTY	DESCRIPTION
1	U25163	1	Motor
2	70091618	1	Coupling
3	80000692	1	Switch Kit
5	70091260	1	Terminal Cable Assembly
10	70091274	1	End Head
11	70091291	2	Plug
12	70091629	1	Shaft Seal
20	70091615	1	Pump Assembly Kit
29	70091758	1	Suction Cover Kit
30	70091262	1	Reservoir
31	70091265	4	Screw
32	70091270	1	Breather Cap
33	75000027	1	"O" Ring
34	70091493	1	Return Tube
40	70091249	1	Ball
	70091250	1	Spring
41	70091295	1	Adjustment Screw
42	70091294	1	Relief Cap Assembly
50	70091395	1	Check Cap Assembly
52	70091296	1	Spring Retainer
53	70091281	1	Spring & Ball Assembly
59			Valve Seal Kit
	75000025	1	"O" Ring
	75000026	2	"O" Ring
	75000036	2	"O" Ring
	70091297	2	Seal Ring
61	80000722	1	Release Cap Stem Assembly
62	70160009*	1	Spring
63	70091602*	1	Grip Ring
64	70091604*	1	Cotter Pin
65	70091603	1	Headed Pin
66	70091266*	1	Cam
67	70091277*	1	Mounting Bracket Assembly
68	70091601*	1	Headed Pin

\* Items included in switch kit 70091279

**70400225, 70400300, 70400500 Monarch Pump**  
 (Service pump for 22195000)



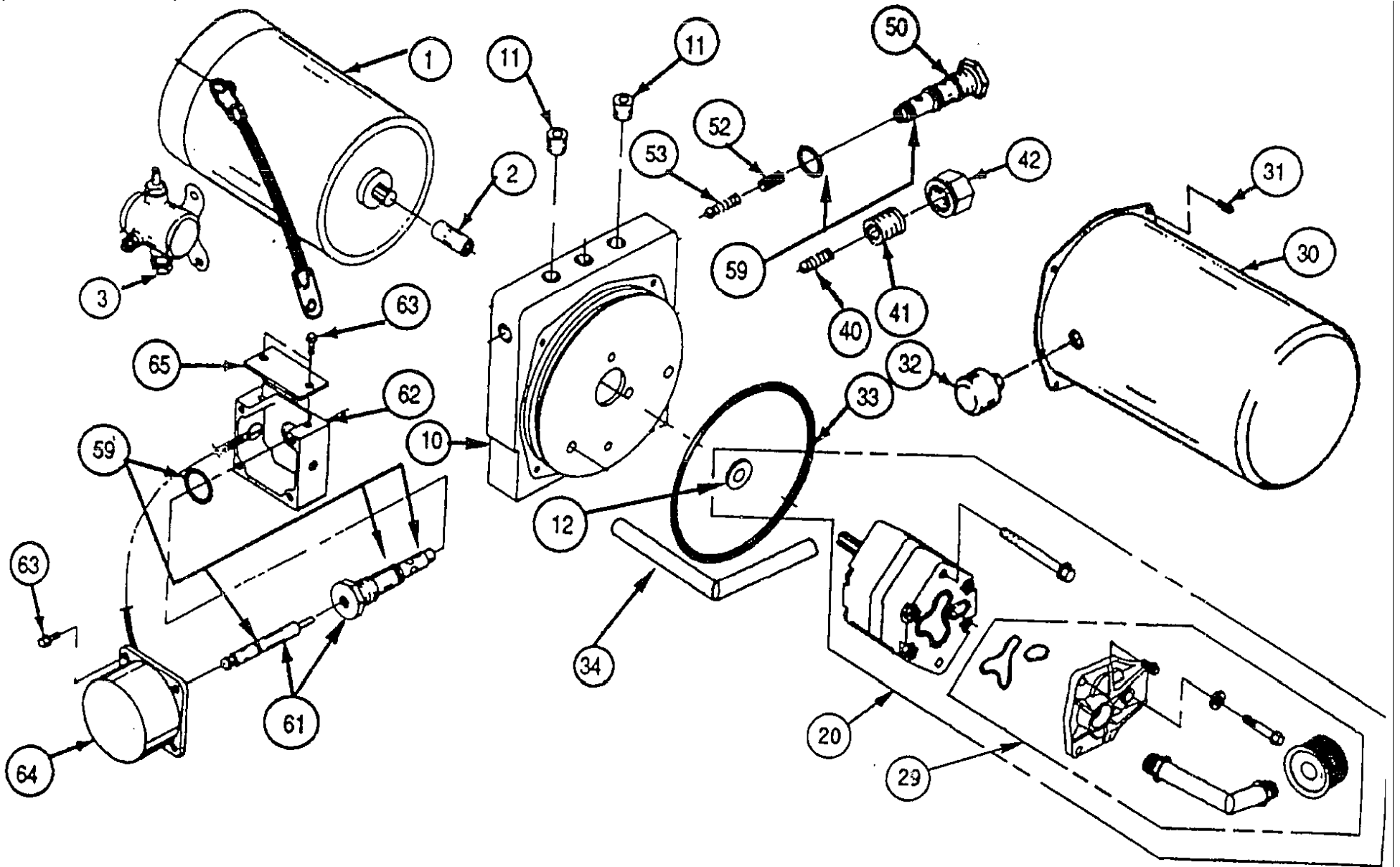
**WALTCO**  
**TRUCK EQUIPMENT CO.**  
 70400225, 70400300,  
 70400500

REVISED: 8-1-09  
 E.O. 6251  
 REV. 02

**PM-398**

ITEM	PART NUMBER	QTY	DESCRIPTION
1	70400001	1	Reservoir, Plastic, 4.5" x 13"
2	70400004	1	Plug, vent, 3/8" NPT
3	70400002	1	Clamp, Hose Worm Gear (M-Series)
4	70400482	2	Screw, Flat Head Cap, 3/8"-16 x 1-1/4"
5	70400481	1	Bracket, Plate Mount
6	70091728	2	Spacer
7	70091730	1	Screen, Filter (Suction)
8	70091731	1	Tube, Filter Suction, 3/8" NPT 90°
9	70092328	1	Tube, Return 90°
10	70400478	1	Pump Assembly, Gear Code 03
11	70091717	1	"O" Ring
12	70400006	1	Seal
13	70091718	1	Parts Kit, Ball Check
14	70092355	1	Parts Kit, Relief Valve
15	7043001-1	1	Motor, Electric 12 VDC
16	70091721	1	Bearing, Base Motor
17	70092304	1	Switch
18	70092307	1	Parts Kit, Plunger
19	70092402	1	Cable with Lugs
20	70400479	1	Adapter
21	70400483	1	Screw
22	70400484	1	Washer
23	70400480	1	Bracket Assembly

**SOLENOID OPERATED PUMP UNIT**  
(Built thru 2-94)



**WALTCO**  
TRUCK EQUIPMENT CO.  
30195000, 33095001,  
33595001

REVISED: 8-1-09  
E.O. 6251  
REV. 06

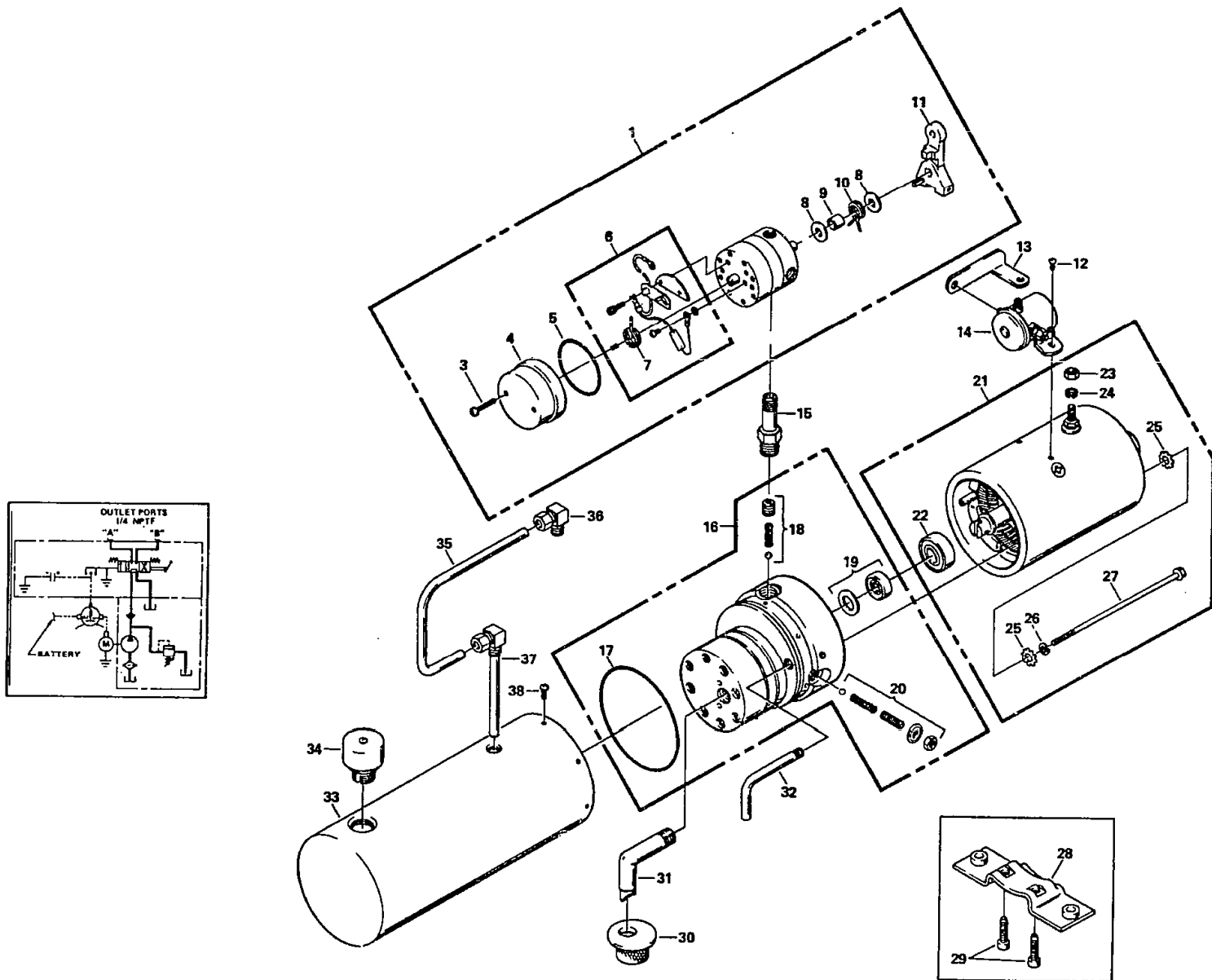
**PM-111B**

ITEM	PART NUMBER	QTY	DESCRIPTION
1	U25163	1	Motor
2	70091618	1	Coupling
3	80001065	1	Solenoid Kit
10	70091274	1	End Head
11	70091291	2	Plug
12	70091629	1	Shaft Seal
20	70091615	1	Pump Assembly Kit
29	70091758	1	Suction Cover Kit
30	70091262	1	Reservoir
31	70091265	4	Screw
32	70091270	1	Breather Cap
33	75000027	1	"O" Ring
34	70091493	1	Return Tube
40	70091249	1	Ball
	70091250	1	Spring
41	70091295	1	Check Cap Assembly
42	70091294	1	Relief Cap Assembly
50	70091395	1	Check Cap Assembly
52	70091696	1	Spring Retainer
53	70091281	1	Spring & Ball Assembly
59			Valve Seal Kit
	75000025	1	"O" Ring
	75000026	2	"O" Ring
	75000036	2	"O" Ring
	70091297*	2	Seal Ring
61	80000722	1	Release Cap Stem Assembly Kit
62	70091358*	1	Solenoid Bracket
63	70091352*	6	Screw
64	70091631	1	Solenoid
65	70091353*	1	Cover

\* Items included in switch kit 70091679



**20295000 MANUALLY OPERATED POWER UP AND DOWN PUMP UNIT**  
 (Built thru 2-94)



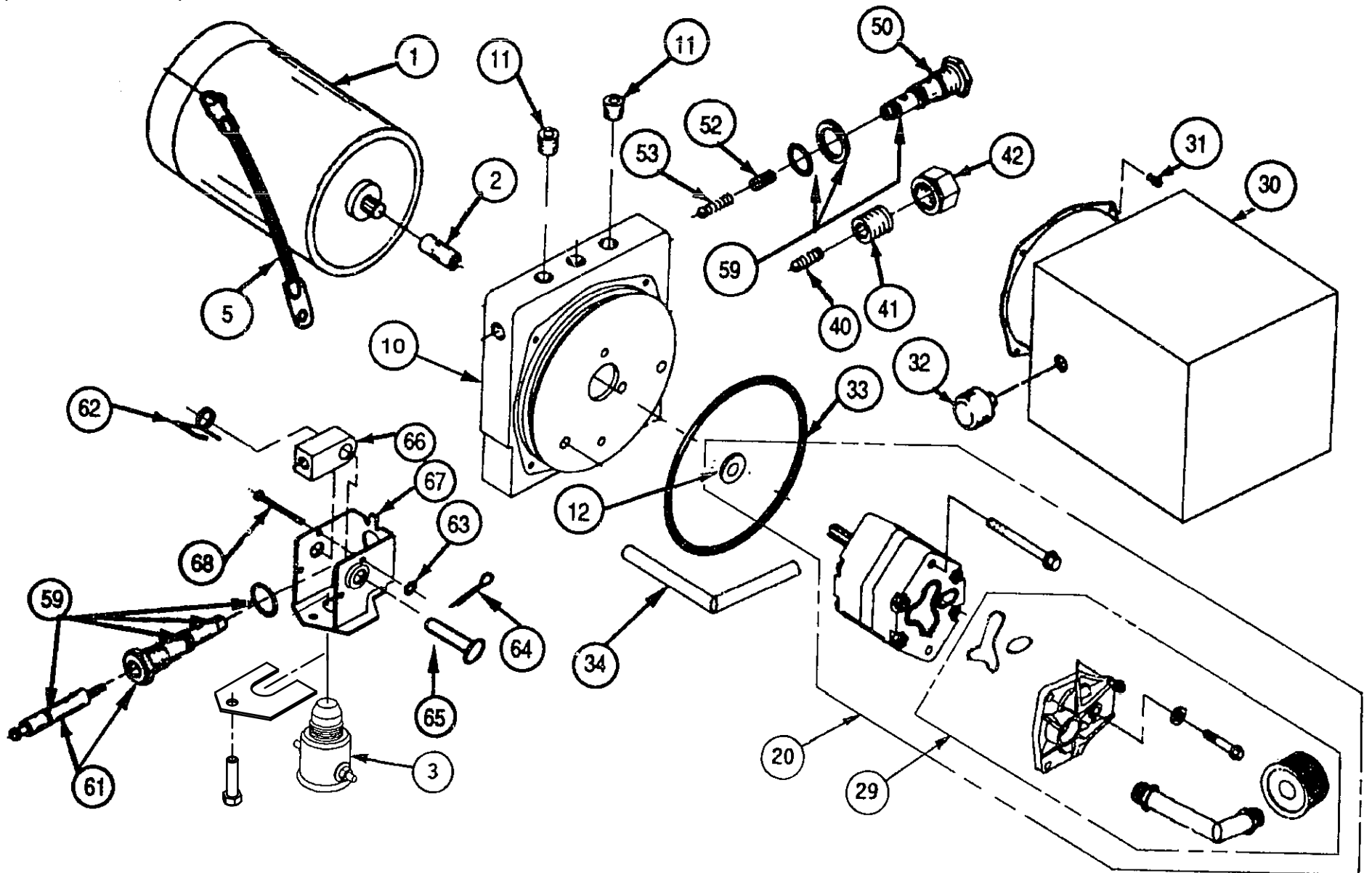
**WALTCO**  
**TRUCK EQUIPMENT CO.**  
**20295000**

REVISED: 8-1-09  
 E.O. 6251  
 REV. 02

**PM-247A**

ITEM	PART NUMBER	QTY	DESCRIPTION
1	70121000	1	Valve Assembly Complete
3	70091703	2	#10-24 x 1-1/8" Truss Screw
4	70091704	1	Cover (Condenser, Contact)
5	70091705	1	"O" Ring 2.3125 x 2.5 x .0937
6	70091706	1	Parts Kit (Electrical)
7	70091707	1	Contact Spring
8	70091708	2	5/16" Flat Washer
9	70091709	1	Bushing (Torsion Spring)
10	70091710	1	Torsion Spring
11	70091711	1	Handle Assembly
12	70091712	2	#10-32 x 1/4" Round Head Screw
13	70091713	1	Switch Mounting Bracket
14	70091714	1	Solenoid Switch
15	70091715	1	Adapter (Pump/Valve)
16	70091716	1	Pump Assembly
17	70091717	1	"O" Ring 3.625 x 3.875 x .125
18	70091718	1	Parts Kit (Check Valve, Main)
19	70091719	1	Seal & Gasket
20	70092355	1	Relief Valve
21	7043001-1	1	Motor Only
22	70091721	1	Bearing (Base, Motor)
23	70091722	1	5/16"-24 hex Nut
24	70091723	1	5/16" Lock Washer
25	70091724	4	1/4" Star Washer
26	70091725	2	1/4" Lock Washer
27	70091726	2	1/4"-20 x 6-1/2" Hex Screw
28	70092371	1	Bracket (Mount Plate)
29	70092357	2	5/16"-18 x 1-1/16" Screw
30	70091730	1	Filter
31	70091731	1	3/8" NPT 90° Tube
32	70091732	1	1/8" NPT Return Tube
33	70091733	1	Reservoir
34	70091734	1	Breather
35	70091735	1	Return Tube (Reservoir)
36	70091736	1	90° 3/8" x 1/4" NPT Elbow Assembly
37	70091737	1	90° Elbow Assembly
38	70091738	6	#10-24 x 3/8" Thread Forming Screw

**SOLENOID OPERATED PUMP UNIT**  
(Built thru 2-94)



**WALTCO**  
TRUCK EQUIPMENT CO.  
20495000

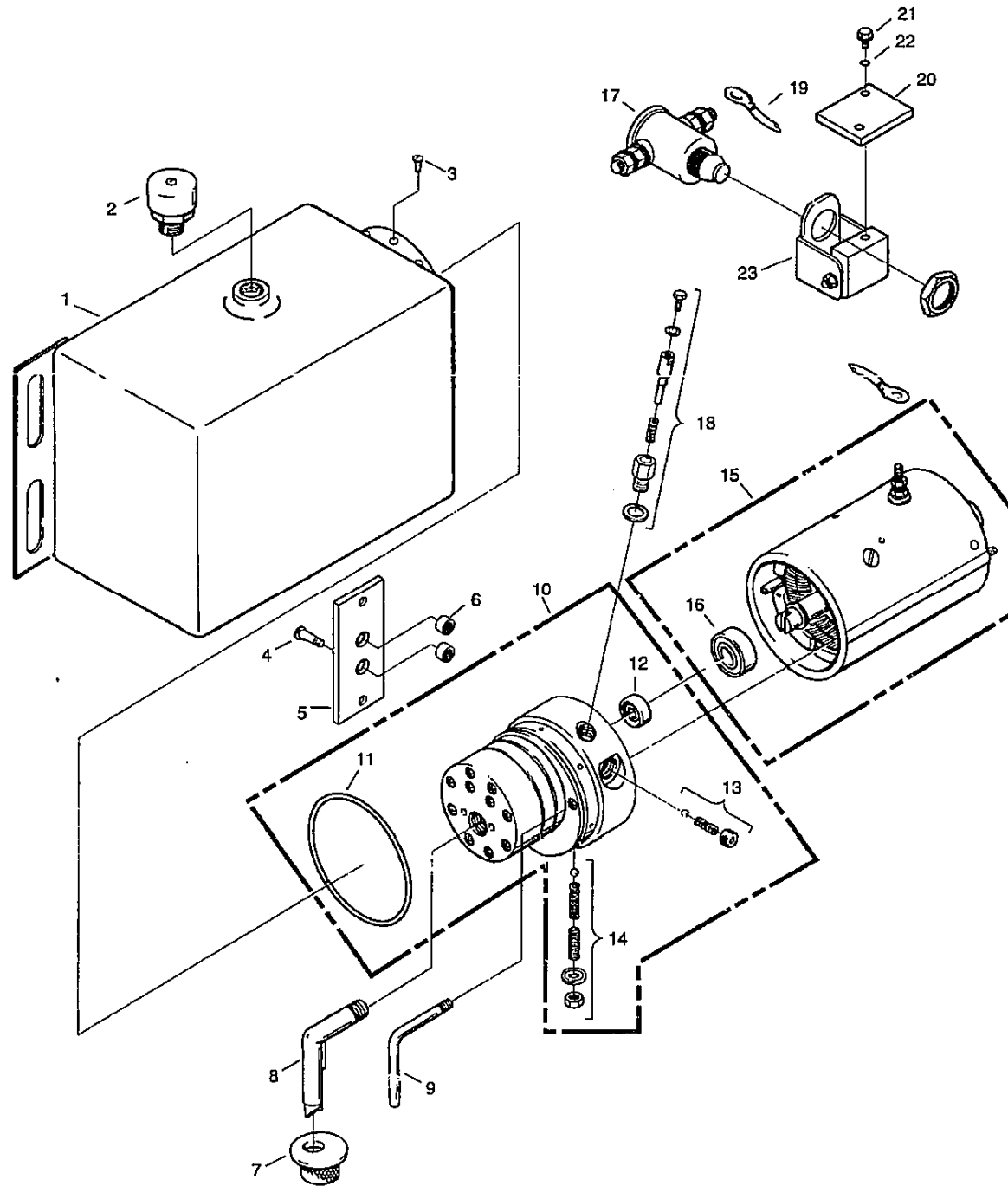
REVISED: 8-1-09  
E.O. 6251  
REV. 05

**PM-112B**

ITEM	PART NUMBER	QTY	DESCRIPTION
1	U25163	1	Motor
2	70091618	1	Coupling
3	80000692	1	Switch Kit
5	70091260	1	Terminal Cable Assembly
10	70091274	1	End Head
11	70091291	2	Plug
12	70091629	1	Shaft Seal
20	70091614	1	Pump Assembly Kit
29	70091759	1	Suction Cover Kit
30	70091462	1	Reservoir
31	70091265	4	Screw
32	70091270	1	Breather Cap
33	75000027	1	"O" Ring
34	70091493	1	Return Tube
40	70091249	1	Ball
	70091250	1	Spring
41	70091295	1	Adjustment Screw
42	70091294	1	Relief Cap Assembly
50	70091395	1	Check Cap Assembly
52	70091296	1	Spring Retainer
53	70091281	1	Spring & Ball Assembly
59			Valve Seal Kit
	75000025	1	"O" Ring
	75000026	2	"O" Ring
	75000036	2	"O" Ring
	70091297	2	Seal Ring
61	80000722	1	Release Cap Stem Assembly Kit
62	70160009*	1	Spring
63	70091602*	1	Grip Ring
64	70091604*	1	Cotter Pin
65	70091603	1	Headed Pin
66	70091266*	1	Cam
67	70091277*	1	Mounting Bracket Assembly
68	70091601*	1	Headed Pin

\* Items included in switch kit 70091279

**70400475**  
 (Service pump for 20495000)



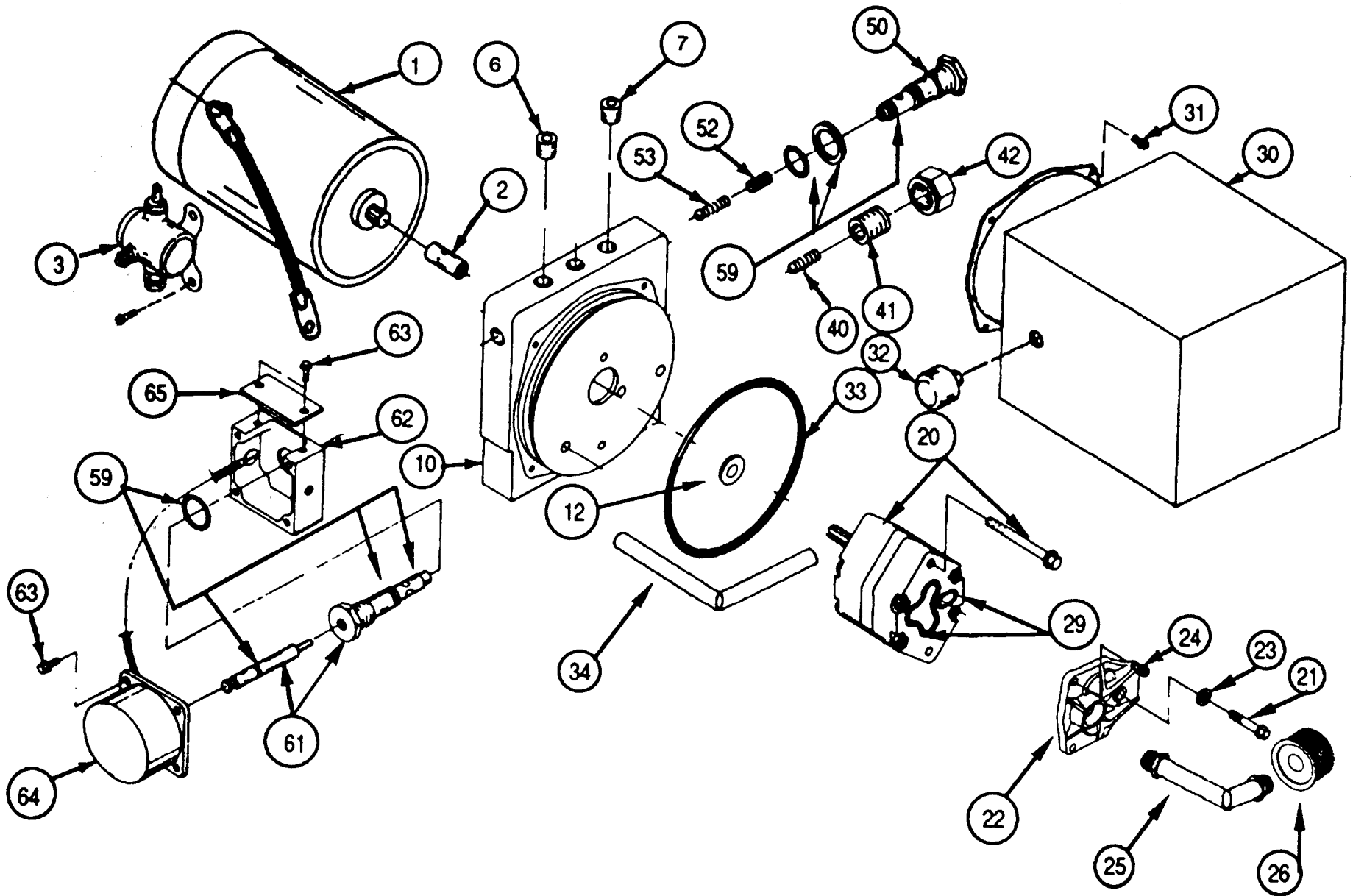
**WALTCO**  
**TRUCK EQUIPMENT CO.**  
**70400475**

REVISED: 8-1-09  
 E.O. 6251  
 REV. 03

**PM-397**

ITEM	PART NUMBER	QTY	DESCRIPTION
1	70400176	1	Reservoir
2	70400004	1	Plug, Vent, 3/8" NPT
3	70091738	6	Self Tapping Screw
4	70400482	2	Screw, Flat head Cap, 3/8"-16 x 1-1/4"
5	70400481	1	Bracket, Plate Mount
6	70091728	2	Spacer
7	70091730	1	Screw, Filter (Suction)
8	70400486	1	Tube, Filler Suction, 3/8" NPT 90°
9	70092328	1	Tube, Return, 90°
10	70400478	1	Pump Assembly, Gear Code 03
11	70091717	1	"O" Ring
12	70400006	1	Seal
13	70091718	1	Parts Kit, Ball Check
14	70092355	1	Parts Kit, Relief Valve
15	7043001-1	1	Motor, 12V
16	70091721	1	Bearing, Base Motor
17	70092304	1	Switch
18	70092307	1	Parts Kit, Plunger
19	70092402	1	Cable with Lugs
20	70400479	1	Adapter
21	70400483	1	Screw
22	70400484	1	Washer
23	70400480	1	Bracket Assembly

**SOLENOID OPERATED PUMP UNIT**  
(Built thru 2-94)



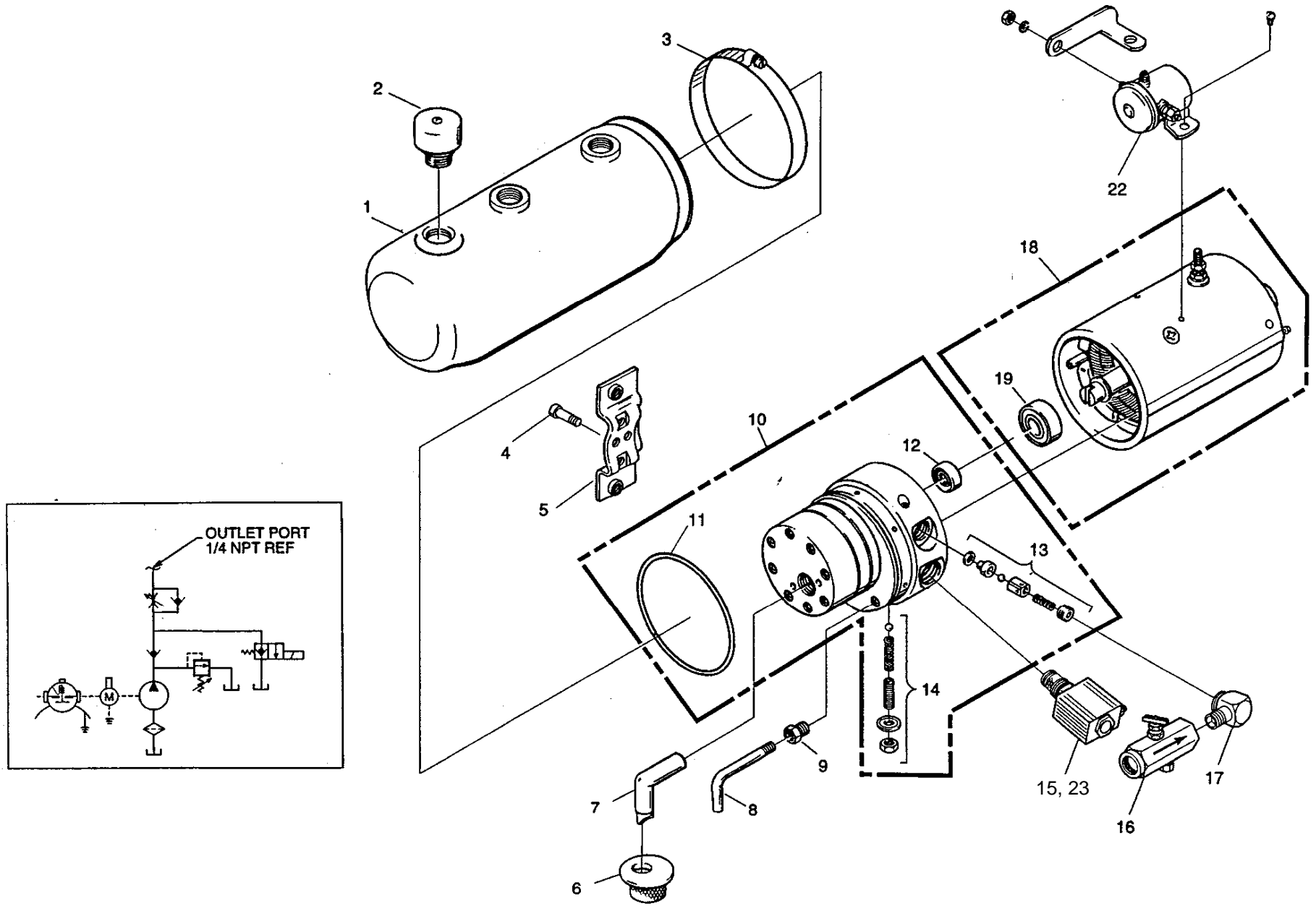
**WALTCO**  
TRUCK EQUIPMENT CO.  
35495000 / 35595000 /  
37495000 / 37595000

REVISED: 8-1-09  
E.O. 6251  
REV. 05

**PM-108B**

ITEM	PART NUMBER	QTY	DESCRIPTION
1	U25163	1	Motor
2	70091618	1	Coupling
3	80001065	1	Solenoid Kit
6	70091291	1	Plug (Series I)
	75082908	1	Bushing (Series II)
7	70091291	1	Plug (Series I)
	75082903	1	Bushing (Series II)
10	70091274	1	End Head
12	70091629	1	Shaft Seal
20	70091614	1	Pump Assembly Kit
29	70091759	1	Suction Cover Kit
30	70091462	1	Reservoir
31	70091265	4	Screw
32	70091270	1	Breather Cap
33	75000027	1	O-Ring
34	70091493	1	Return Tube
40	70091249	1	Ball
	70091250	1	Spring
41	70091295	1	Adjustment Screw
42	70091294	1	Relief Cap Assembly
50	70091395	1	Check Cap Assembly
52	70091296	1	Spring Retainer
53	70091281	1	Spring & Ball Assembly
59	-----		Valve Seal Kit
	75000025	1	O-Ring
	75000026	2	O-Ring
	75000036	2	O-Ring
	70091297	2	Seal Ring
61	70091685	1	Release Valve Assembly Complete
62	70091358	1	Solenoid Bracket
63	70091352	6	Screw
64	70091631	1	Solenoid
65	70091353	1	Cover

**70400000, 70400700 SOLENOID OPERATED**  
 (Built 2-94 thru 2-00)



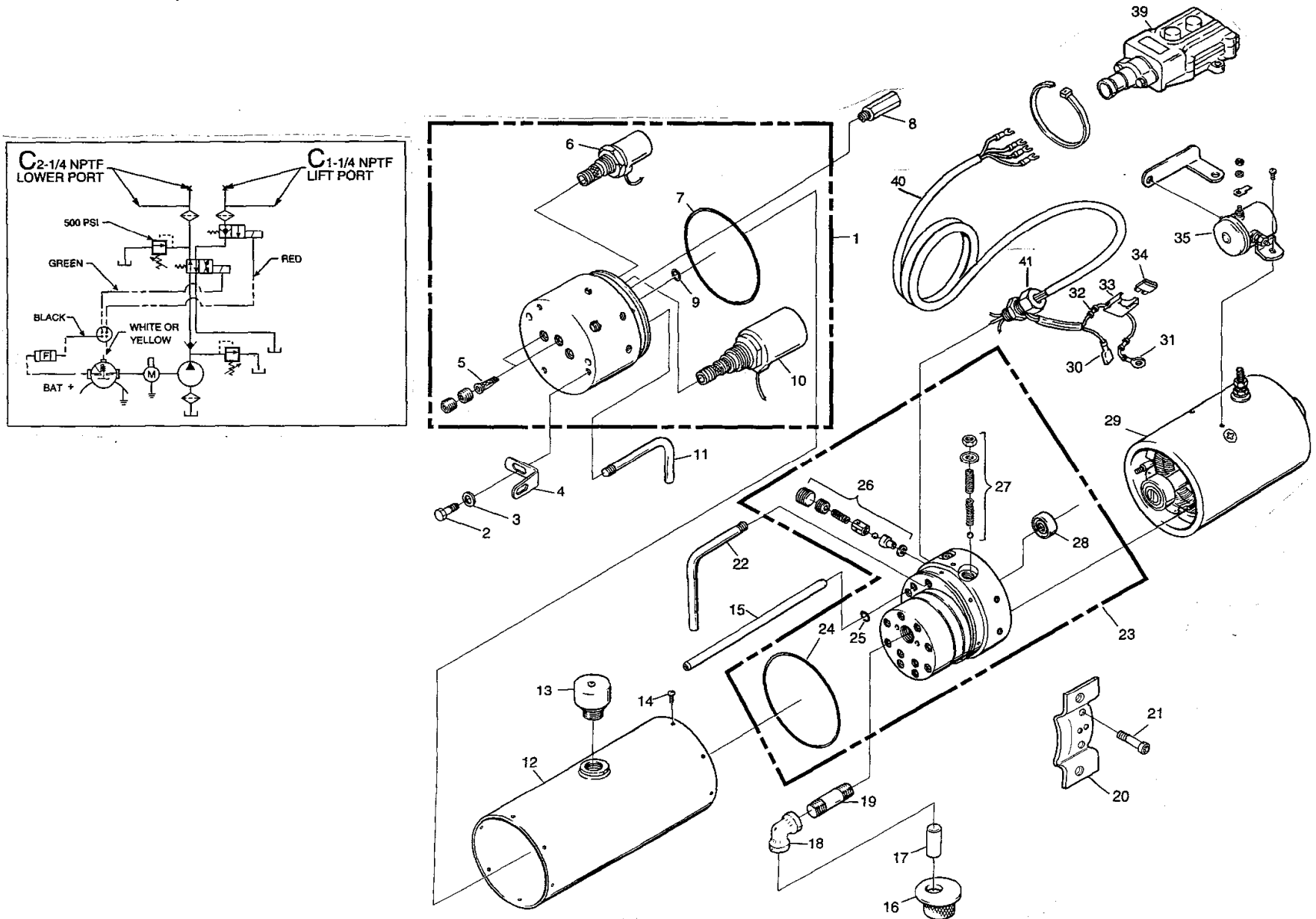
**WALTCO**  
 TRUCK EQUIPMENT CO.  
 70400000, 70400700

REVISED: 8-1-09  
 E.O. 6251  
 REV. 04

**PM-352**

ITEM	PART NUMBER	QTY	DESCRIPTION
1	70400001	1	Reservoir, Plastic
2	70400004	1	Breather
3	70400002	1	Clamp
4	70092357	2	Screw
5	70400008	1	Bracket
6	70091730	1	Screen
7	70091731	1	Tube
8	70091732	1	Tube
9	70092504	1	Bushing
10	70400005	1	Pump Assembly Kit (includes items 11-14)
11	70091717	1	"O" Ring
12	70400006	1	Seal
13	70400007	1	Valve Assembly
14	70092355	1	Relief Valve Assembly
15	70092503	1	Valve Assy, 2-way, 2 position /w Coil
16	70189860	1	Valve
17	75082611	1	Elbow
18	7043001-1	1	Motor Kit (includes item 19)
19	70091721	1	Bearing
22	80001065	1	Solenoid Kit
23	70402303	1	Coil, 10V, 25A

**70400025, 70400725 POWER DOWN**  
(Built 2-94 thru 2-00)



**WALTCO**  
TRUCK EQUIPMENT CO.  
70400025

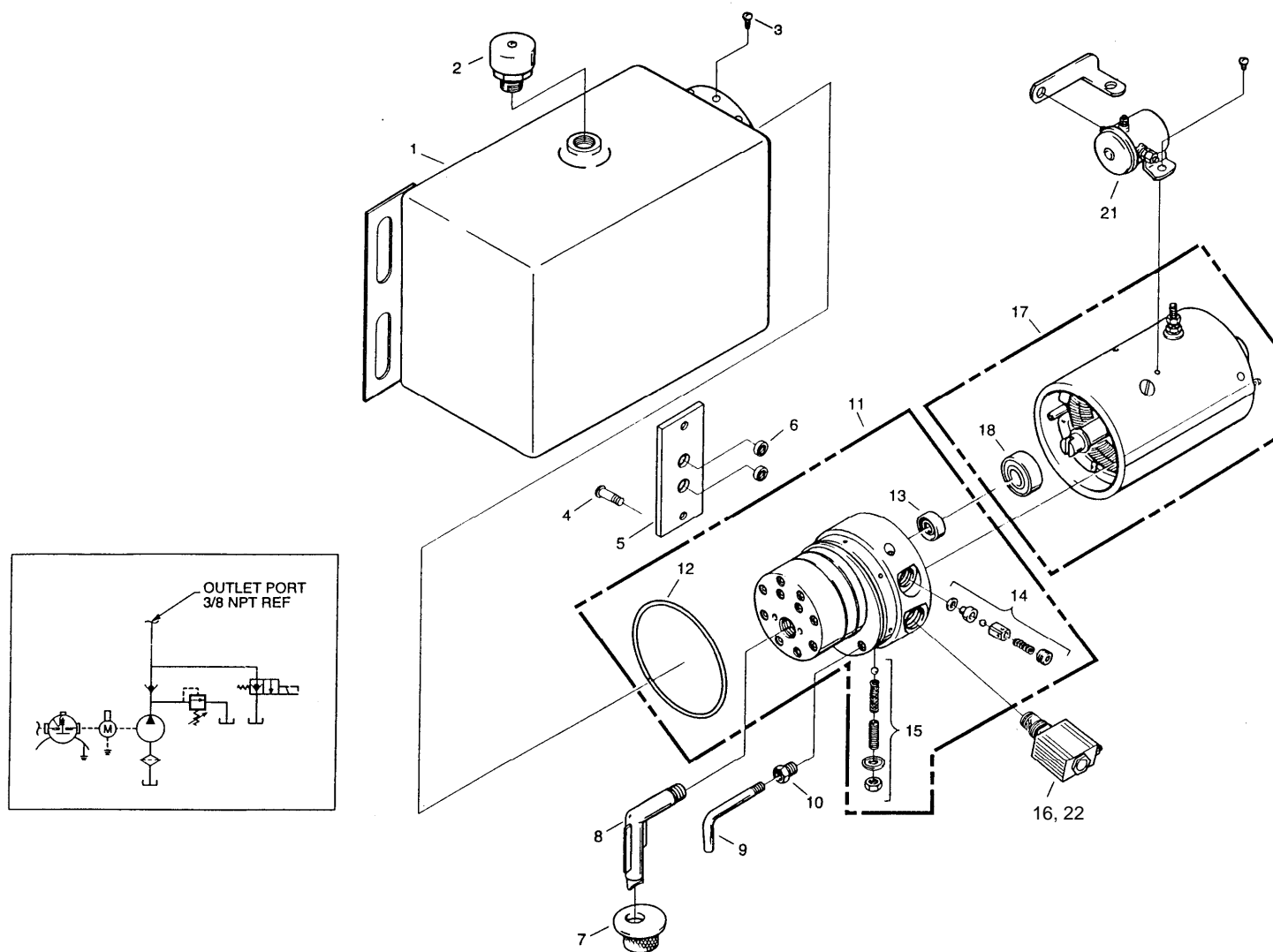
REVISED: 8-1-09  
E.O. No. 6251  
REV. 03

**PM-354**

ITEM	PART NUMBER	QTY	DESCRIPTION
1	70400048	1	Valve Assembly Kit (Includes items 5, 6, 7, 9, 10)
2	70400034	1	Screw
3	70400028	1	Washer
4	70400029	1	Bracket
5	70400030	2	Filter
6	70092418	1	Valve, 2 Way
7	70091717	1	"O" Ring
8	70400031	1	Relief Valve Assembly
9	70400032	1	"O" Ring
10	70400033	1	Valve, 4 Way
11	70091732	1	Tube
12	70400027	1	Reservoir
13	70400004	1	Breather
14	70091738	12	Screw
15	70400036	1	Tube
16	70091730	1	Screen
17	70400037	1	Tube
18	70400038	1	Elbow
19	70400039	1	Nipple
20	70400008	1	Bracket
21	70092357	2	Screw
22	70092328	1	Tube
23	70400041	1	Pump Assembly Kit (Includes items 24-28)
24	70091717	1	"O" Ring
25	70400042	1	"O" Ring
26	70400007	1	Valve Assembly
27	70092355	1	Relief Valve Assembly
28	70400006	1	Seal
29	7043001-1	1	Motor
30	70400043	1	Terminal
31	70400044	1	Terminal
32	70400045	1	Terminal
33	75089850	1	Housing
34	75089852	1	Fuse
35	80001065	1	Solenoid Kit
39	75089798	1	Control Box
40	70400046	1	Cord Assembly

ITEM	PART NUMBER	QTY	DESCRIPTION
41	70400047	1	Fitting Assembly

**70400150, 70400325, 70400350, 70400375, 70400850 SOLENOID OPERATED**  
 (Built 2-94 thru 7-04)



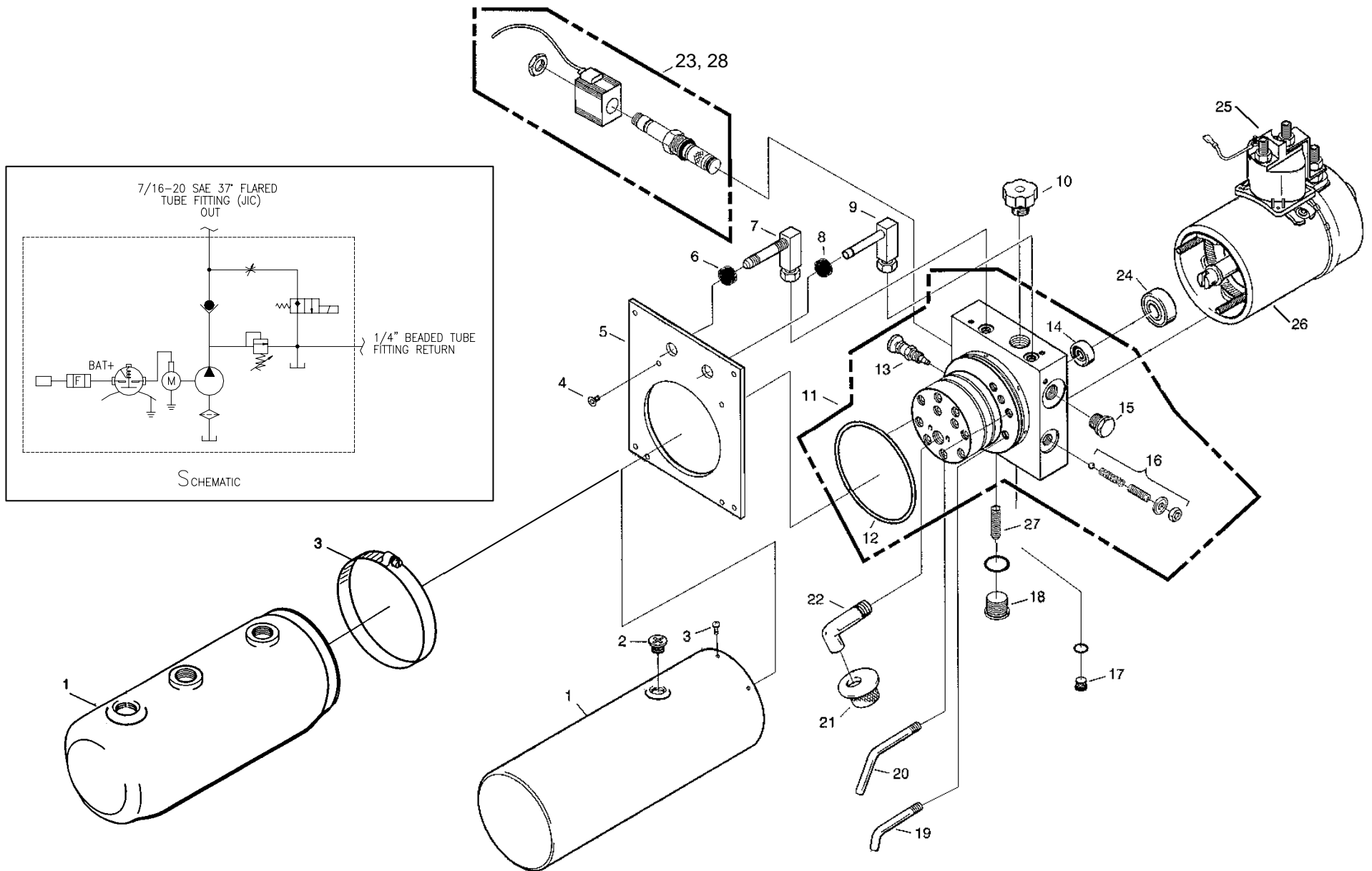
**WALTCO**  
 TRUCK EQUIPMENT CO.  
 MONARCH PUMP

REVISED: 8-1-09  
 E.O. 6251  
 REV. 06

**PM-462**

ITEM	PART NUMBER	QTY	DESCRIPTION
1	70400176	1	Reservoir
2	70400004	1	Breather
3	70091738	6	Screw
4	70400482	2	3/8-16 x 1-1/4" Flat Head Cap Screw
5	70400481	1	Bracket
6	70091728	2	Spacer
7	70091730	1	Screen
8	70400476	1	Suction Tube
9	70091732	1	Return tube
10	70092504	1	Bushing, Reducer, 1/4" NPT to 1/8" NPT
11	70400426	1	Pump Assembly
12	70091717	1	O-Ring
13	70400006	1	Seal
14	70400007	1	Check Valve Assembly
15	70092355	1	Relief Valve
16	70092503	1	2-Way/2-Position Valve w/ Coil
17	7043001-1	1	Motor
18	70091721	1	Bearing
20	70091712	2	#10-32 x 1-1/4" Round Head Machine Screw
21	80001065	1	Solenoid Kit
22	70402303	1	Coil, 10V, 25A

**70401400, 70401450, 70401700, 70401750, 70401900, 70401950, 70430320 GRAVITY DOWN ELECTROPAK**  
 (Built from 2-00)



**WALTCO**  
**TRUCK EQUIPMENT CO.**  
 F, C, E, EZL

REVISED: 8-1-09  
 E.O. 6251  
 REV. 07

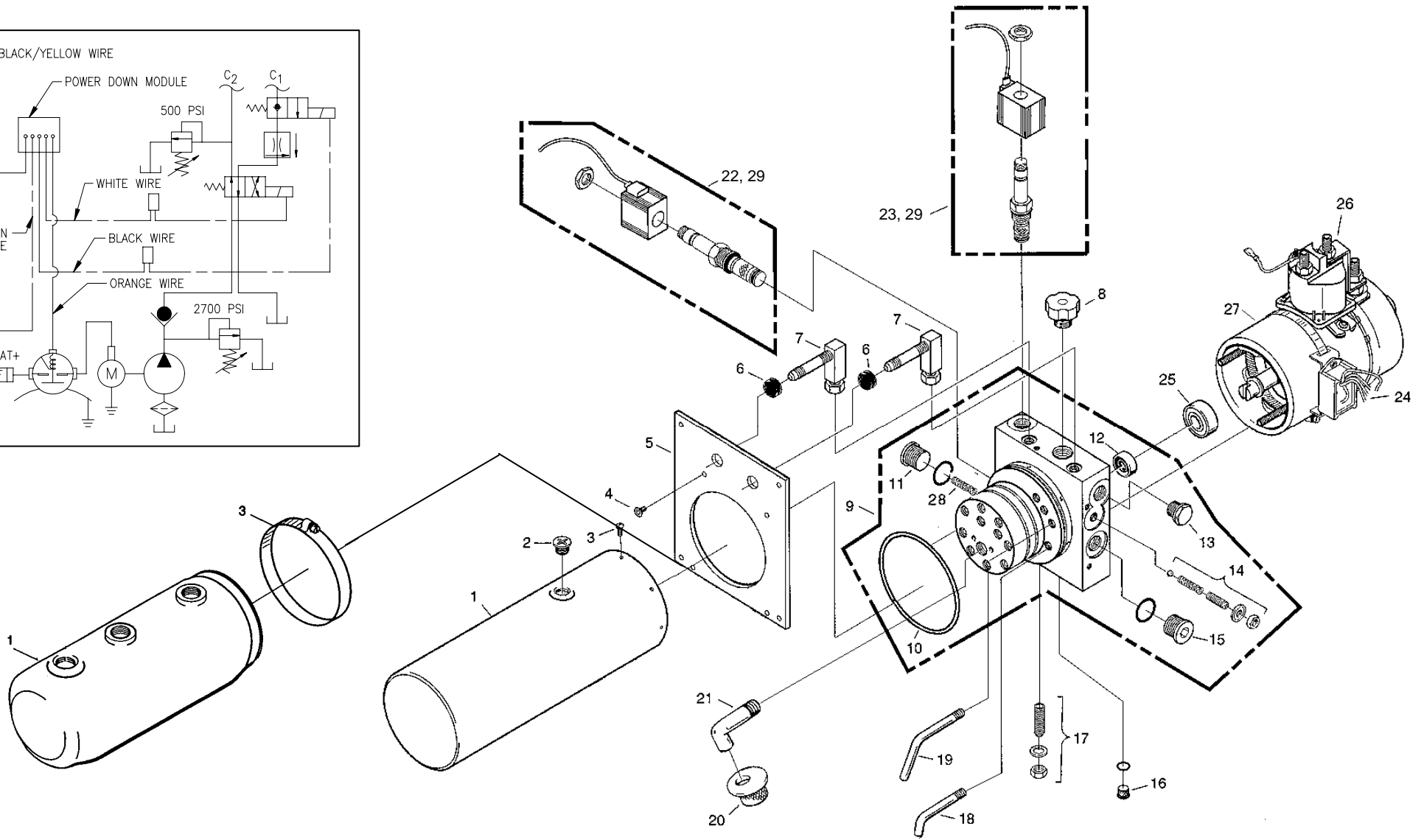
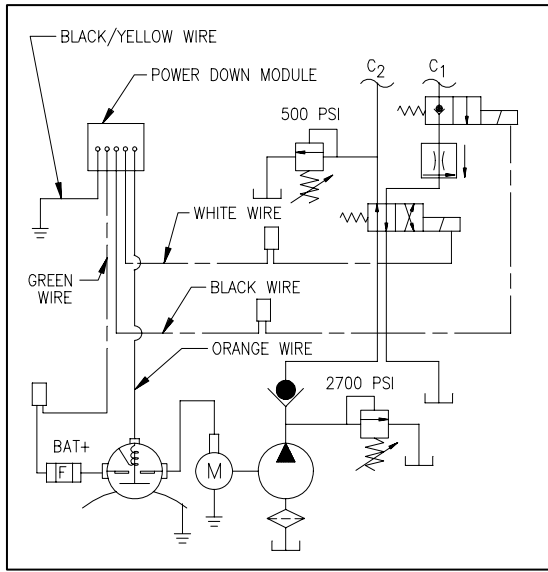
**PM-555**

ITEM	PART NUMBER	QTY	DESCRIPTION
1	70401456 <sup>B</sup>	1	Reservoir (Metal)
	70400001 <sup>C</sup>	1	Reservoir (Plastic)
2	70400055	1	Breather Plug
3	70091738 <sup>B</sup>	6	Screw, 10-24 x 3/8" lg. (For Metal Reservoir)
	70400002 <sup>C</sup>	1	Clamp (For Plastic Reservoir)
4	75086000 <sup>A</sup>	4	Screw, socket flat head cap, 1/4-20
5	70401407 <sup>A</sup>	1	Plate
6	70401408	1	Grommet
7	70401435	1	Fitting, male 7/16" SAE 37° Flare
8	70401409	1	Grommet
9	70401430	1	Fitting, barbed
10	70091734	1	Breather
11	70401410	1	Pump Assembly
12	70091717	1	O-ring
13	70401411 <sup>D</sup>	1	Flow Control Valve, NPT Threads
	70401711 <sup>E</sup>	1	Flow Control Valve, SAE Threads w/ "O" Ring
14	70400006	1	Seal
15	70401412	1	Sight Glass
16	70401413	1	Relief Valve
17	70401415	1	Drain Plug
18	70401414	1	Plug, Check valve
19	70401406	1	Return Tube
20	70401405	1	Return Tube
21	70091730	1	Filter
22	70091731	1	Suction Tube
23	70092503	1	Valve Assy, 2-way/2pos with Coil
24	70091721	1	Bearing
25	75089833	1	Starter Solenoid
26	7043001-1	1	Motor
27	70401416	1	Check Valve
28	70402303	1	Coil, 10V, 25A

- A Used on 70401400, 70401450 only.
- B Used on 70401400, 70401450 and 70401700, 70401750 only.
- C Used on 70401900, 70401950, 70430320 only.
- D Used until 3/04 only.
- E Used since 3/04 only, and on all current replacement pump assemblies.



**70401425, 70401475, 70401725, 70401775, 70401925, 70401975, 70430430 POWER DOWN**  
 (Built from 2-00)



**WALTCO**  
**TRUCK EQUIPMENT CO.**  
 F, C, E, EZL

REVISED: 8-1-09  
 E.O. 6251  
 REV. 07

**PM-556**

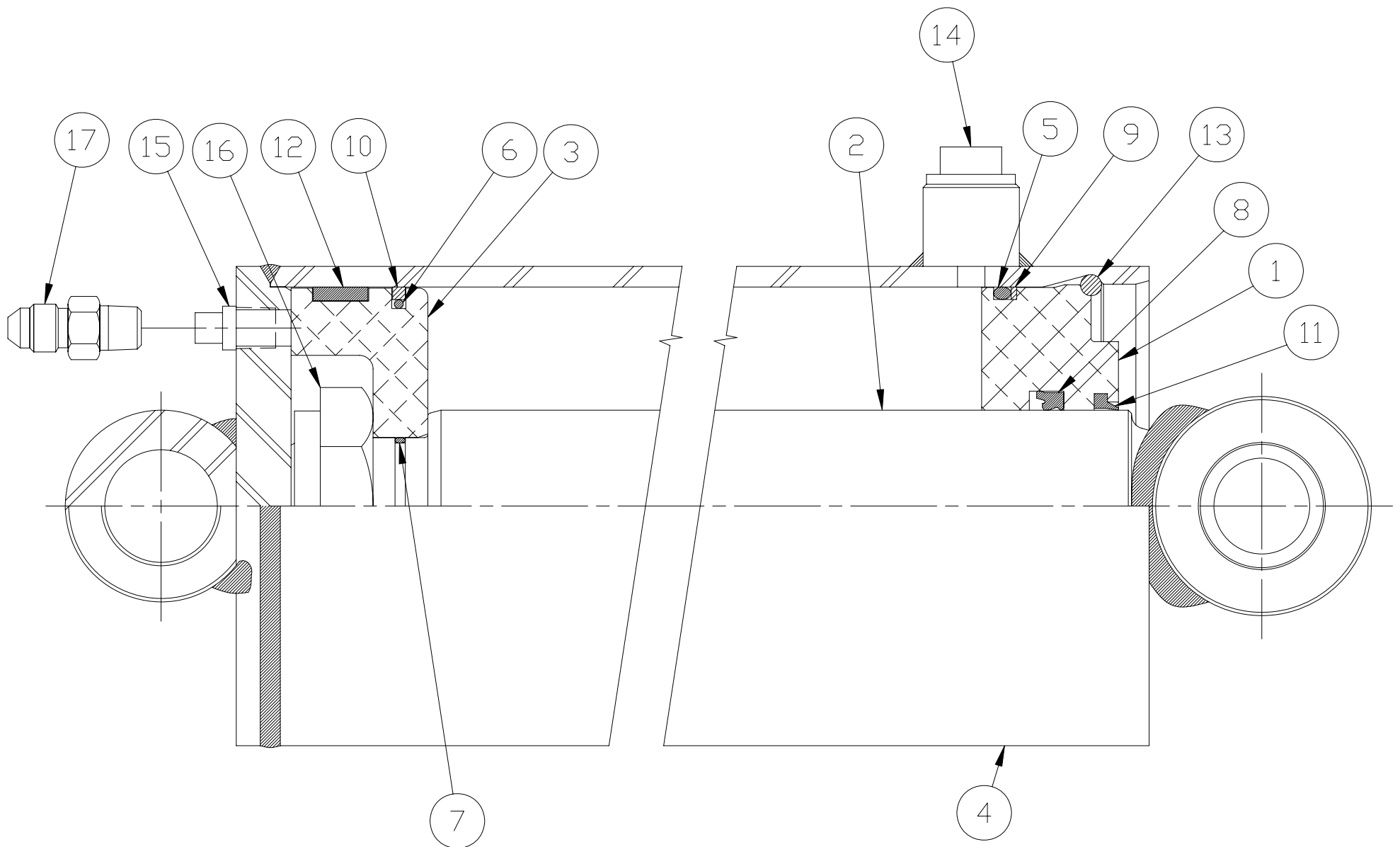
ITEM	PART NUMBER	QTY	DESCRIPTION
1	70401456 <sup>B</sup>	1	Reservoir (Metal)
	70400001 <sup>C</sup>	1	Reservoir (Plastic)
2	70400055	1	Breather Plug
3	70091738 <sup>B</sup>	6	Screw, 10-24 x 3/8" lg. (For Metal Reservoir)
	70400002 <sup>C</sup>	1	Clamp (For Plastic Reservoir)
4	75086000 <sup>A</sup>	4	Screw, socket flat head cap, 1/4-20
5	70401407 <sup>A</sup>	1	Plate
6	70401408	1	Grommet
7	70401435	1	Fitting, male 7/16" SAE 37° Flare
8	70091734	1	Breather
9	70401419	1	Pump Assembly
10	70091717	1	O-ring
11	70401414	1	Plug, Check valve
12	70400006	1	Seal
13	70401412	1	Sight Glass
14	70401413	1	Relief Valve
15	70092400	1	Plug
16	70401415	1	Drain Plug
17	70401413	1	Relief Valve
18	70401406	1	Return Tube
19	70401405	1	Return Tube
20	70091730	1	Filter
21	70091731	1	Suction Tube
22	70400014	1	Valve Assy, 4-way/2pos w/ Coil
23	70092503	1	Valve Assy, 2-way/2pos w/ Coil
24	80001032	1	Power Down Module
25	70091721	1	Bearing
26	75089833	1	Starter Solenoid
27	7043001-1	1	Motor
28	70401416	1	Check Valve
29	70402303	2	Coil, 10V, 25A

<sup>A</sup> Used on 70401425, 70401475 only.

<sup>B</sup> Used on 70401425, 70401475 and 70401725, 70401775 only.

<sup>C</sup> Used on 70401925, 70401975, 70430430 only.

**20280010, 20280022**  
 (Built from 3-96)



**WALTCO**  
**TRUCK EQUIPMENT CO.**  
 20280010, 20280022

REVISED: 8-1-04  
 E.O. 5221E  
 REV. 03

**PM-263**

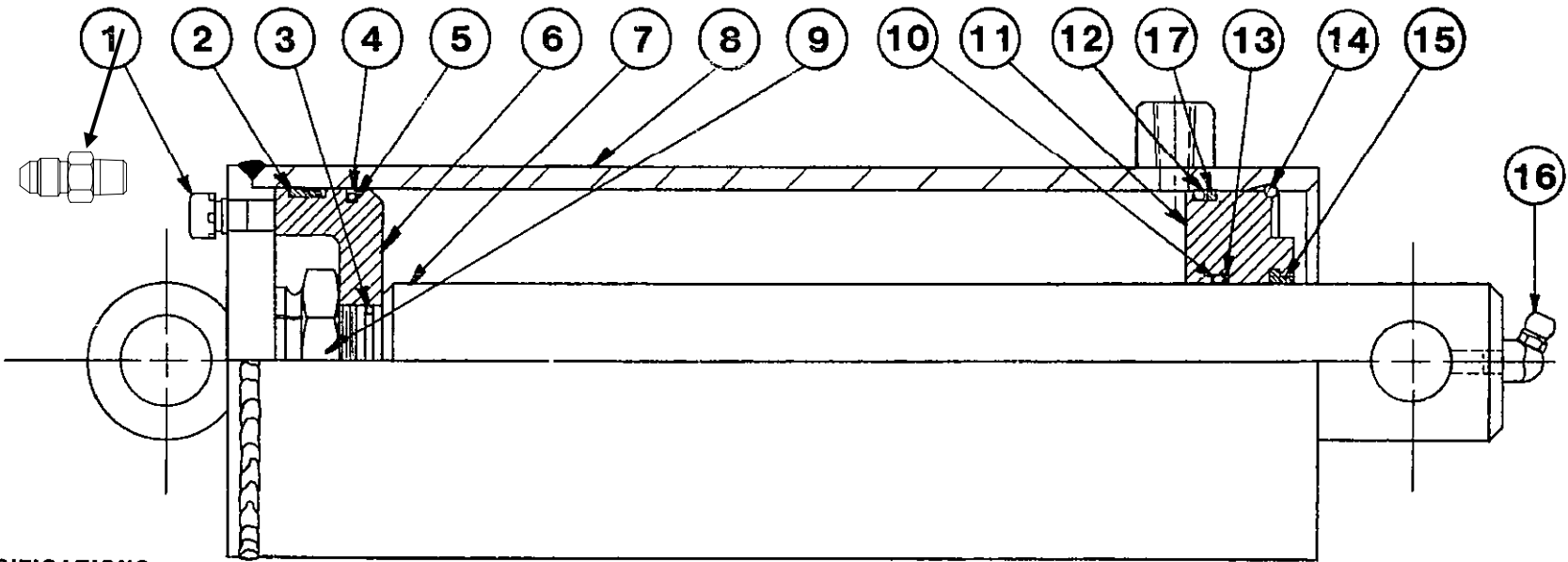
ITEM	PART NUMBER	QTY	DESCRIPTION
1	11202-0200	1	Gland
2	11391-1000	1	Rod Assembly
3	11202-1500	1	Piston
4	11202-2000	1	Barrel Assembly
5	-----*	1	"O" Ring
6	-----*	1	"O" Ring
7	-----*	1	"O" Ring
8	-----*	1	Rod Seal
9	-----*	1	Backup Ring
10	-----*	1	Piston Seal
11	-----*	1	Rod Wiper
12	-----*	1	Wear ring
13	4050	1	Retaining Ring
14	4102	1	Caplug
15	4135	1	Caplug
16	4408	1	Locknut
17	75082966	1	1/8" NPT x 7/16" JIC Adapter (Used on 20280022 Only)

\* Indicates parts included in repair kit number 20280096.

NOTE: Refer to cylinder serial number located on the cylinder barrel when ordering parts.

Example: 11391-XXXXX

**20280050, 20280091**  
 (Built thru 3-96)



**F-20800-50**

**SPECIFICATIONS**

RETRACTED 14.125  
 EXTENDED 23.25  
 BARREL O.D. 4.50

**WALTCO**  
**TRUCK EQUIPMENT CO.**  
 20280050, 20280091

REVISED: 7-1-04  
 E.O. 5221D  
 REV. 02

**PM-211**

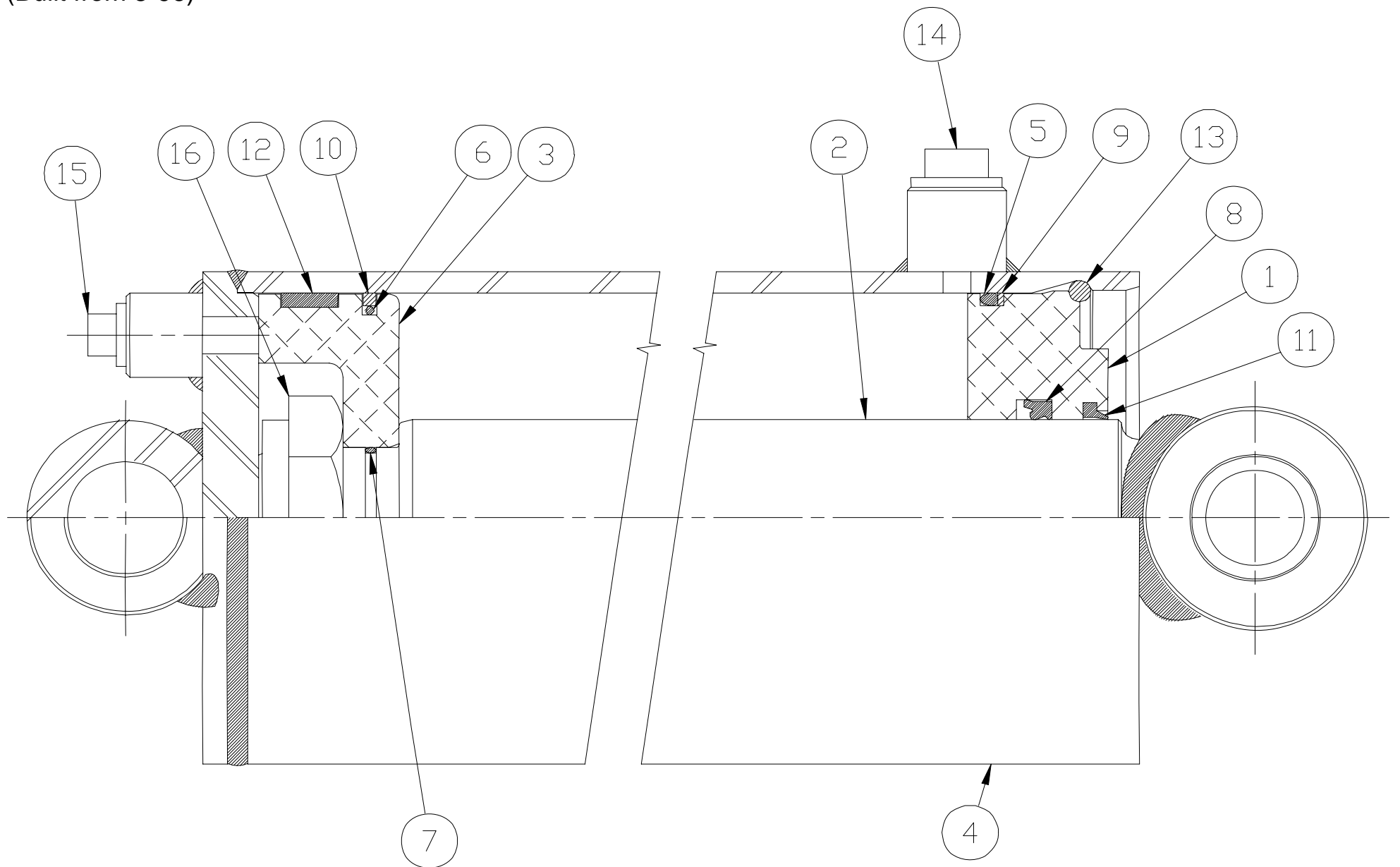
ITEM	PART NUMBER	QTY	DESCRIPTION
1	75089310	1	Breather (Used on 20280050 Only)
	75082966	1	1/8" NPT x 7/16" JIC Adapter (Used on 20280091 Only)
2	70270502*	1	Wear Ring
3	75000031*	1	"O" Ring
4	70270620*	1	Seal Ring
5	75000043*	1	"O" Ring
6	20281550	1	Piston
7	20281150	1	Shaft
8	20282050	1	Barrel
9	75085191	1	Lock Nut
10	75000012*	1	"O" Ring
11	20280250	1	Nose Bearing
12	75000009*	1	"O" Ring
13	75000505*	1	Back-up Ring
14	22282950	1	Retaining Ring
15	70270460*	1	Rod Wiper
16	75089305	1	Grease Fitting, 65°
17	75000509*	1	Back-up Ring
18	20280095	1	Repair Kit (Not Shown)

\* Indicates parts included in repair kit

NOTE: Refer to cylinder serial number located on the cylinder barrel when ordering parts.

Example: 11 20201-XXXXXX

**20280020**  
(Built from 3-96)



**WALTCO**  
TRUCK EQUIPMENT CO.  
20280020

REVISED: 2-25-00  
E.O. 3443A  
REV. 01

**PM-264**

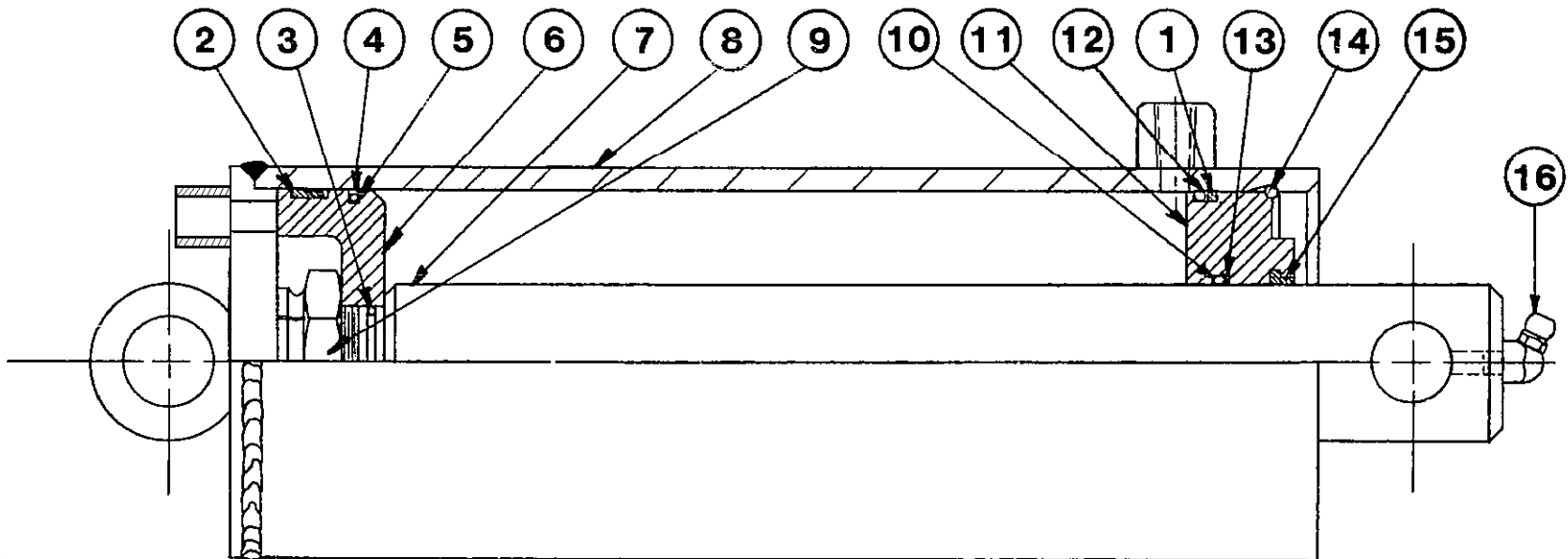
ITEM	PART NUMBER	QTY	DESCRIPTION
1	11202-0200	1	Gland
2	11391-1000	1	Rod Assembly
3	11202-1500	1	Piston
4	11290-2000	1	Barrel Assembly
5	-----*	1	"O" Ring
6	-----*	1	"O" Ring
7	-----*	1	"O" Ring
8	-----*	1	Rod Seal
9	-----*	1	Backup Ring
10	-----*	1	Piston Seal
11	-----*	1	Rod Wiper
12	-----*	1	Wear ring
13	4050	1	Retaining Ring
14	4102	1	Caplug
15	4179	1	Caplug
16	4408	1	Locknut

\* Indicates parts included in repair kit number 11391-9500.

NOTE: Refer to cylinder serial number located on the cylinder barrel when ordering parts.

Example: 11393-XXXXX

**20280090**  
(Built thru 3-96)



**SPECIFICATIONS**  
 RETRACTED 14.125  
 EXTENDED 23.25  
 BARREL O.D. 4.50

**20280090**

**WALTCO**  
**TRUCK EQUIPMENT CO.**  
**20280090**

REVISED: 12-1-03  
 E.O. 5221  
 REV. 01

**PM-585**

ITEM	PART NUMBER	QTY	DESCRIPTION
1	75000509*	1	Back-up Ring
2	70270502*	1	Wear Ring
3	75000031*	1	"O" Ring
4	70270620*	1	Seal Ring
5	75000043*	1	"O" Ring
6	20281550	1	Piston
7	20281150	1	Shaft
8	20289001	1	Barrel
9	75085191	1	Lock Nut
10	75000012*	1	"O" Ring
11	20280250	1	Nose Bearing
12	75000009*	1	"O" Ring
13	75000505*	1	Back-up Ring
14	22282950	1	Retaining Ring
15	70270460*	1	Rod Wiper
16	75089305	1	Grease Fitting, 65°
17	20280095	1	Repair Kit (Not Shown)

\* Indicates parts included in repair kit

NOTE: Refer to cylinder serial number located on the cylinder barrel when ordering parts.

Example: 11 20201-XXXXXX

**WALTCO approximate serial number dates.**

**Tallmadge**

Revised 12-14-10

Ser No	Date	Ser No	Date	Ser No	Date	Ser No	Date	Ser No	Date
220000	11/88	322000	03/95	424000	03/00	526000	06/05	618000	11/10
221000	12/88	323000	04/95	425000	04/00	527000	07/05	619000	12/10
222000	01/89	324000	06/95	426000	05/00	528000	07/05		
223000	03/89	325000	07/95	427000	07/00	529000	09/05		
224000	04/89	326000	09/95	428000	08/00	540000	09/05		
225000	05/89	327000	09/95	429000	08/00	541000	10/05		
226000	06/89	328000	11/95	440000	09/00	542000	11/05		
227000	08/89	329000	01/96	441000	11/00	543000	11/05		
228000	10/89	340000	02/96	442000	12/00	544000	12/05		
229000	11/89	341000	03/96	443000	02/01	545000	02/06		
240000	01/90	342000	04/96	444000	04/01	546000	03/06		
241000	02/90	343000	05/96	445000	05/01	547000	03/06		
242000	07/90	344000	07/96	446000	09/01	548000	03/06		
243000	04/90	345000	08/96	447000	09/01	549000	04/06		
244000	05/90	346000	10/96	448000	11/01	560000	05/06		
245000	07/90	347000	12/96	449000	01/02	561000	06/06		
246000	09/90	348000	03/97	460000	04/00	562000	06/06		
247000	12/90	349000	03/97	461000	05/02	563000	06/06		
248000	12/90	360000	04/97	462000	06/02	564000	06/06		
249000	02/91	361000	05/97	463000	09/02	565000	07/06		
260000	04/91	362000	06/97	464000	10/02	566000	08/06		
261000	05/91	363000	07/97	465000	12/02	567000	09/06		
262000	08/91	364000	08/97	466000	01/03	568000	10/06		
263000	10/91	365000	10/97	467000	02/03	569000	11/06		
264000	12/91	366000	11/97	468000	05/03	580000	01/07		
265000	02/92	367000	12/97	469000	05/03	581000	01/07		
266000	03/92	368000	01/98	480000	07/03	582000	02/07		
267000	05/92	369000	06/98	481000	08/03	583000	03/07		
268000	06/92	380000	03/98	482000	10/03	584000	05/07		
269000	08/92	381000	06/98	483000	11/03	585000	06/07		
280000	09/92	382000	06/98	484000	01/04	586000	07/07		
281000	11/92	383000	08/98	485000	02/04	587000	10/07		
282000	12/92	384000	08/98	486000	02/04	588000	11/07		
283000	02/93	385000	11/98	487000	03/04	589000	01/08		
284000	03/93	386000	12/98	488000	03/04	600000	02/08		
285000	04/93	387000	12/98	489000	05/04	601000	05/08		
286000	06/93	388000	01/99	500000	05/04	602000	07/08		
287000	07/93	389000	04/99	501000	06/04	603000	09/08		
288000	08/93	400000	02/99	502000	06/04	604000	01/09		
289000	10/93	401000	03/99	503000	07/04	605000	04/09		
300000	11/93	402000	05/99	504000	09/04	606000	07/09		
301000	02/94	403000	05/99	505000	10/04	607000	08/09		
302000	02/94	404000	06/99	506000	12/04	608000	10/09		
303000	03/94	405000	08/99	507000	01/05	609000	11/09		
304000	04/94	406000	08/99	508000	02/05	610000	12/09		
305000	05/94	407000	10/99	509000	02/05	611000	01/10		
306000	08/94	408000	11/99	520000	03/05	612000	03/10		
307000	09/94	409000	11/99	521000	03/05	613000	05/10		
308000	10/94	420000	12/99	522000	03/05	614000	06/10		
309000	10/94	421000	12/99	523000	04/05	615000	08/10		
320000	12/94	422000	04/00	524000	04/05	616000	09/10		
321000	01/95	423000	03/00	524500	05/05	617000	10/10		

**\*All Serial Number Dates are approximate**

**Gardena**

Ser No	Date
116000	01/83
117000	05/83
118000	09/83
119000	12/83
130000	03/84
131000	05/84
132000	07/84
133000	10/84
134000	12/84
135000	03/85
136000	04/85
137000	07/85
138000	10/85
139000	11/85
150000	03/86
151000	05/86
152000	09/86
153000	12/86
154000	03/87
155000	05/87
156000	07/87
157000	10/87
158000	11/87
159000	12/87
170000	02/88
171000	04/88
172000	06/88

Ser No	Date
173000	08/88
174000	10/88
175000	11/88
176000	01/89
177000	03/89
178000	04/89
179000	07/89
190000	09/89
191000	11/89
192000	01/90
193000	03/90
194000	05/90
195000	07/90
196000	10/90
197000	12/90
198000	03/91
199000	06/91
210000	09/91
211000	12/91
212000	04/92
213000	06/92
214000	09/92
215000	12/92
216000	02/93
217000	05/93
218000	08/93
219000	12/93

Ser No	Date
230000	02/94
231000	05/94
232000	08/94
233000	10/94
234000	12/94
235000	02/95
236000	05/95
237000	08/95
238000	11/95
239000	01/96
250000	03/96
251000	06/96
252000	09/96
253000	12/96
254000	03/97
255000	05/97
256000	08/97
257000	10/97
258000	01/98
259000	03/98
270000	05/98
271000	07/98
272000	10/98
273000	12/98
274000	02/99
275000	04/99
276000	06/99

Ser No	Date
277000	08/99
278000	10/99
279000	12/99
290000	02/00
291000	04/00
292000	06/00
293000	08/00
294000	11/00
295000	02/01
296000	05/01
297000	07/01
298000	09/01
299000	01/02
310000	04/02
311000	07/02
312000	10/02
313000	01/03
314000	04/03
315000	07/03
316000	11/03
317000	03/04
318000	04/04
330000	04/04
331000	07/04
332000	10/04
333000	12/04
334000	04/05

Ser No	Date
335000	05/05
336000	11/05
337000	11/05
338000	03/06
339000	04/06
350000	08/06
351000	01/07
352000	04/07
353000	09/07
354000	01/08
355000	08/08

**\*All Serial Number  
Dates are approximate**

**Shipped From Warehouses**

**Marietta (Georgia)**

Ser No	Date
M1000	12/87
M1100	12/88
M1500	04/89
M2000	03/90
M2500	12/90
M3000	09/91
M3500	07/92
M4000	04/93
M4500	02/94
M5000	06/94
M5500	11/94
M6000	04/95
M6500	09/95
M7000	04/96
M7500	10/96
M8000	04/97
M8500	09/97

Ser No	Date
M9000	02/98
M9500	06/98
M10000	09/98
M10500	01/99
M11000	04/99
M11500	08/99
M12000	01/00
M12500	09/00
M13000	10/00
M13500	02/01
M14000	07/01
M14500	01/02
M15000	06/02
M15500	01/03
M16000	07/03
M16500	11/03
M17000	04/04

Ser No	Date
M17500	07/04
M18000	10/04
M19000	01/05
M19500	04/05
M20000	01/06
M20500	03/06
M21000	08/06
M21500	01/07
M21600	03/07
M21700	04/07
M21800	05/07
M21900	07/07
M22000	08/07
M22100	11/07
M22200	12/07
M22300	01/08
M22600	06/08

**Others**

Ser No	Date
D1000	01/91
D2000	06/92
D3000	03/94
D4000	03/95
D5000	11/96
D6000	04/98
D7000	04/99
F1000	02/00
S1000	04/00
A1000	04/00
T8000	05/00
T9000	09/02
T9500	11/03
T9900	06/04

**Burlington (Wisconsin)**

Ser No	Date
W1000	11/94
W1100	02/95
W1200	04/95
W1300	06/95
W1400	08/95
W1500	10/95
W1600	12/95
W1700	03/96
W1800	05/96
W1900	08/96
W2000	09/96
W2100	12/96
W2200	02/97
W2300	04/97
W2400	06/97
W2500	08/97

Ser No	Date
W2600	10/97
W2700	12/97
W2800	01/98
W2900	06/98
W3000	07/98
W3100	09/98
W3200	12/98
W3300	03/99
W3400	05/99
W3500	07/99
W3600	09/99
W3700	10/99
W3800	12/99
W3900	03/00
W4000	04/00
W4100	05/00

Ser No	Date
W4200	07/00
W4300	09/00
W4400	11/00
W4500	01/01
W4600	03/01
W4700	05/01
W4800	07/01
W4900	10/01
W5000	12/01
W5100	12/01
W5200	02/02
W5300	03/02
W5400	06/02
W5500	07/02
W5600	09/02
W5700	01/03

Ser No	Date
W5800	01/03
W5900	02/03
W6000	04/03
W6100	06/03
W6200	08/03
W6300	10/03
W6400	01/04
W6500	03/04
W6600	06/04
W6700	09/04
W6800	12/04
W6900	02/05
W7000	05/05

**\*All Serial Number Dates are approximate**

**MISC.**

Ser No	Date
CMC100	05/07
CMC200	07/07
CMC300	09/07
CMC400	10/07
CMC500	12/07
CMC600	01/08
CMC700	06/08

Ser No	Date
CMT100	05/07
CMT200	
CMT300	
CMT400	
CMT500	
CMT600	