



MDL and MDLBG

MDL and MDLBG

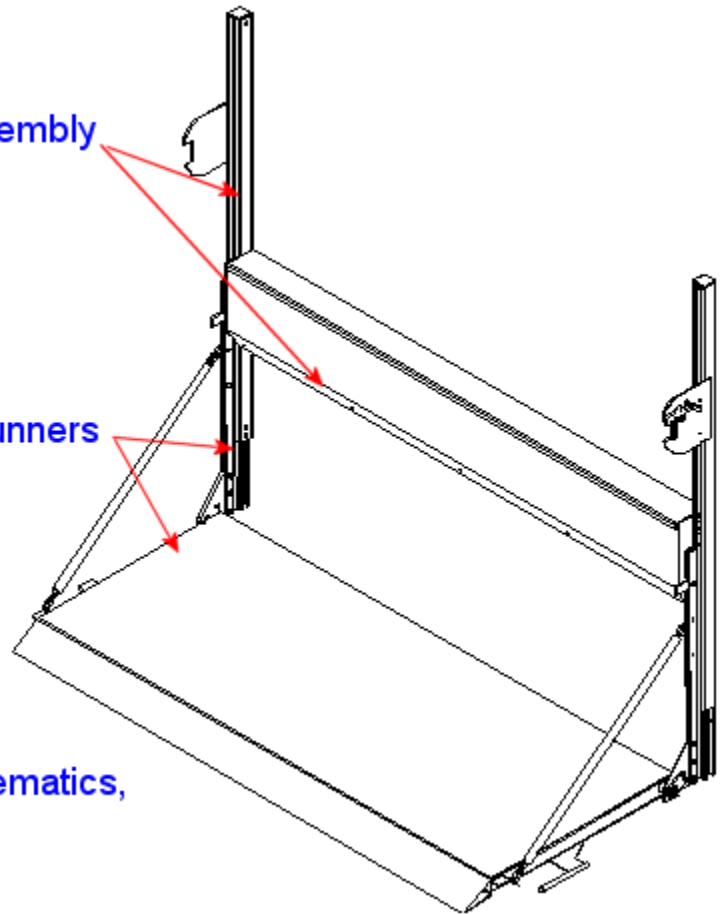
Click the appropriate link below for the major component of the liftgate for which you are trying to find the correct part. If you are unsure of the name of the part in Waltco terminology, click the "Liftgate Terminology" link and it will take you to a document showing a picture of the liftgate with the common Waltco names for each of the parts.

[MDL Liftgate Terminology](#)

[Main Frame Assembly](#)

[Platform and Runners](#)

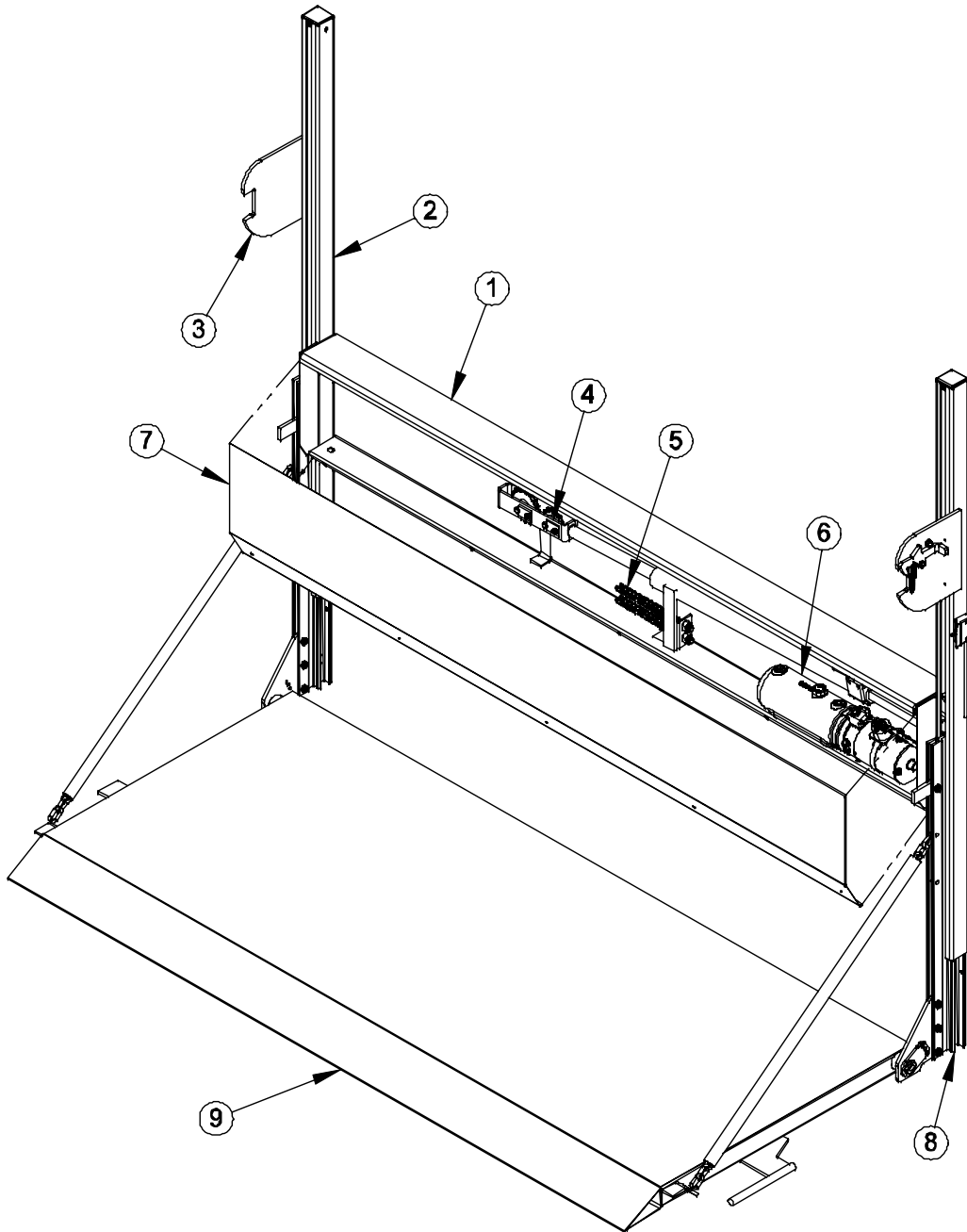
[Hydraulic Layouts,
Electrical Layouts and Schematics,
Pumps, and Cylinders](#)



Liftgate Terminology

TERMINOLOGY

- | | |
|------------------|------------------|
| 1. Crossbeam Box | 5. Lifting Chain |
| 2. Track | 6. Power Unit |
| 3. Travel Plate | 7. Housing Cover |
| 4. Lift Cylinder | 8. Slider |
| | 9. Platform |



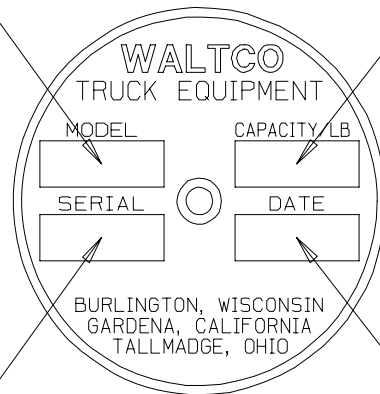
Liftgate Terminology

EXPLANATION OF SPECIFICATION TAG

MODEL NUMBER

RATED CAPACITY

Based on an evenly distributed load on the platform flat surface.



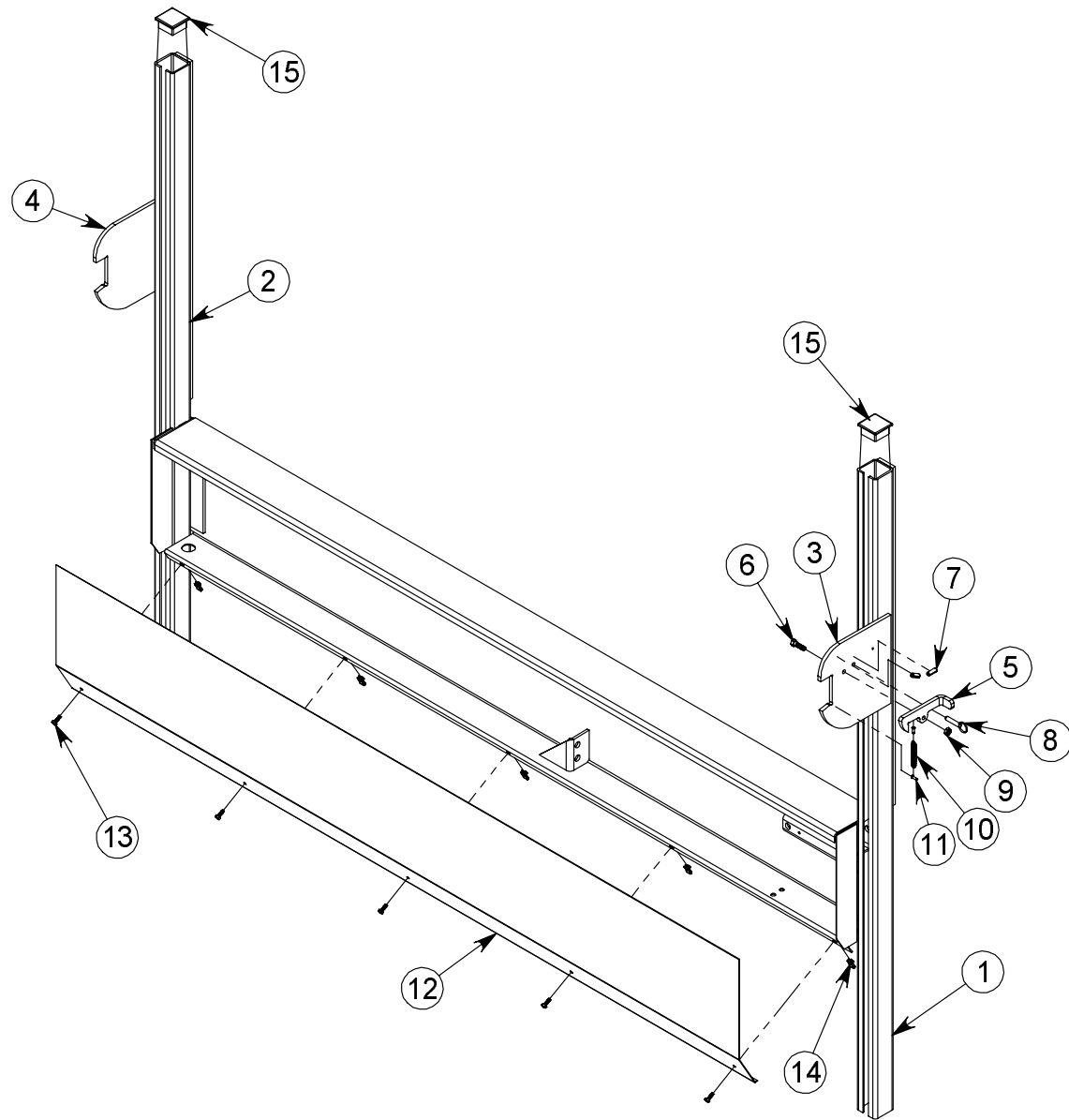
SERIAL NUMBER

of liftgate. To be used when ordering parts or when contacting Waltco for service or warranty questions.

DATE OF MANUFACTURE

Month/Year

H-FRAME ASSEMBLY – STANDARD
(Built from 4-09)



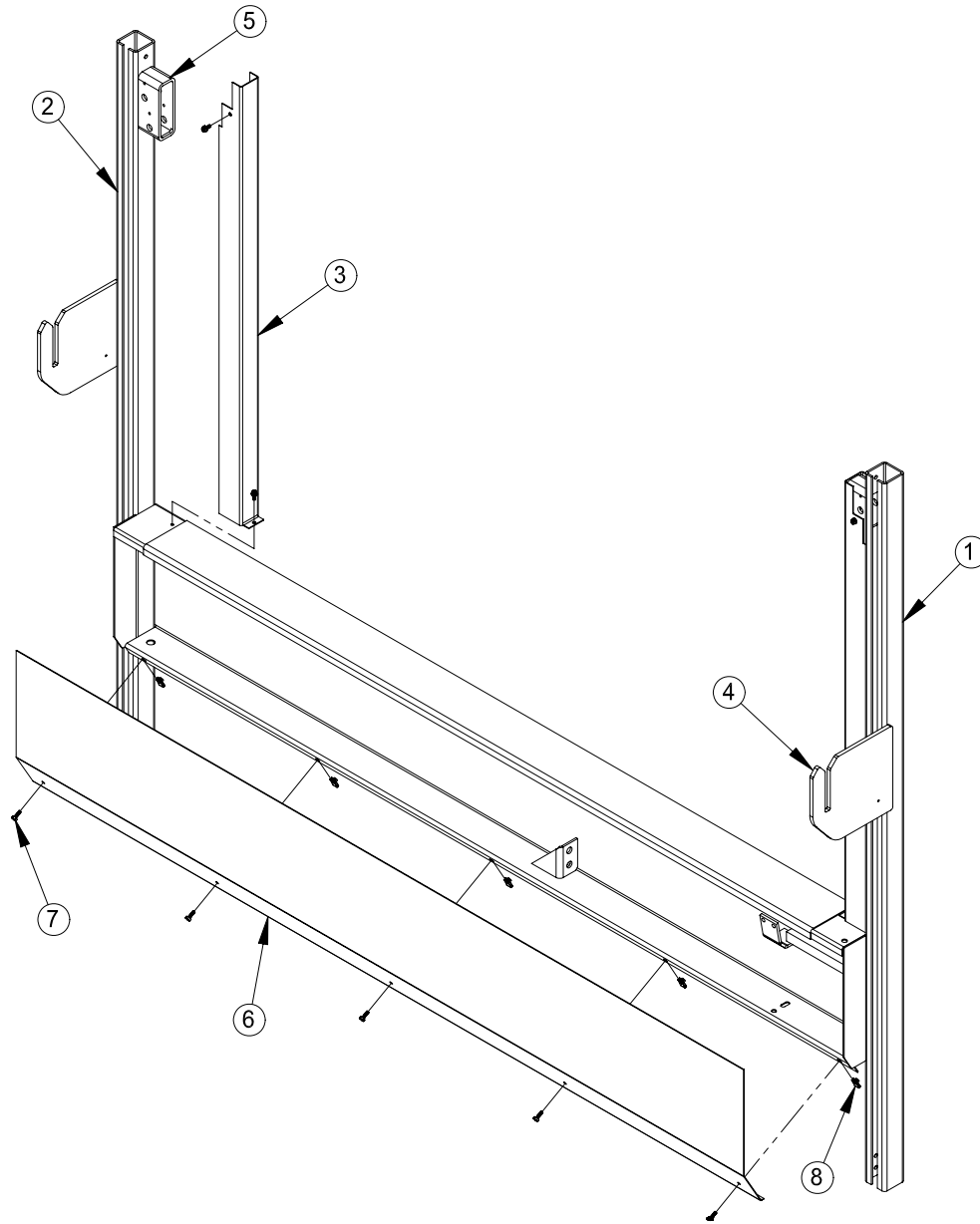
WALTCO LIFT CORP.
MDL SERIES

REVISED: 8-1-10
E.O. 6251
REV. 01

PM-821

ITEM	PART NUMBER	QTY	DESCRIPTION
	43012283	1	H Frame, MDL-12
	43220786	1	H Frame, MDL-16, 20
	43320368	1	H Frame, MDL-30
1	43012050	1	Rail, Curb Side, MDL-12
	43120054	1	Rail, Curb Side, MDL-16, 20, 30
2	43012051	1	Rail, Street Side, MDL-12
	43120055	1	Rail, Street Side, MDL-16, 20, 30
3	43020048	1	Travel Plate, Curb Side
4	43020051	1	Travel Plate, Street Side
5	43020039	1	Travel Plate Latch
6	75086218	1	Hex Bolt, 3/8"-16 x 1-1/4", Grade 8
7	75086056	1	Hex Screw, 3/8-16 x 1", Grade 5
8	75089505	1	Aircraft Pin
9	75085188	2	Lock Nut, 3/8"-16, Centerlock
10	75089760	1	Spring
11	75089518	2	Clevis Pin
12	43020029	1	Access Door
13	75086062	5	Hex Bolt, 1/4-20 x 3/4
14	75085164	5	Tinnerman Nut, 1/4"
15	75089564	2	Rail Cap

H-FRAME ASSEMBLY – ABOVE FLOOR (AF)
 (Built from 4-09)



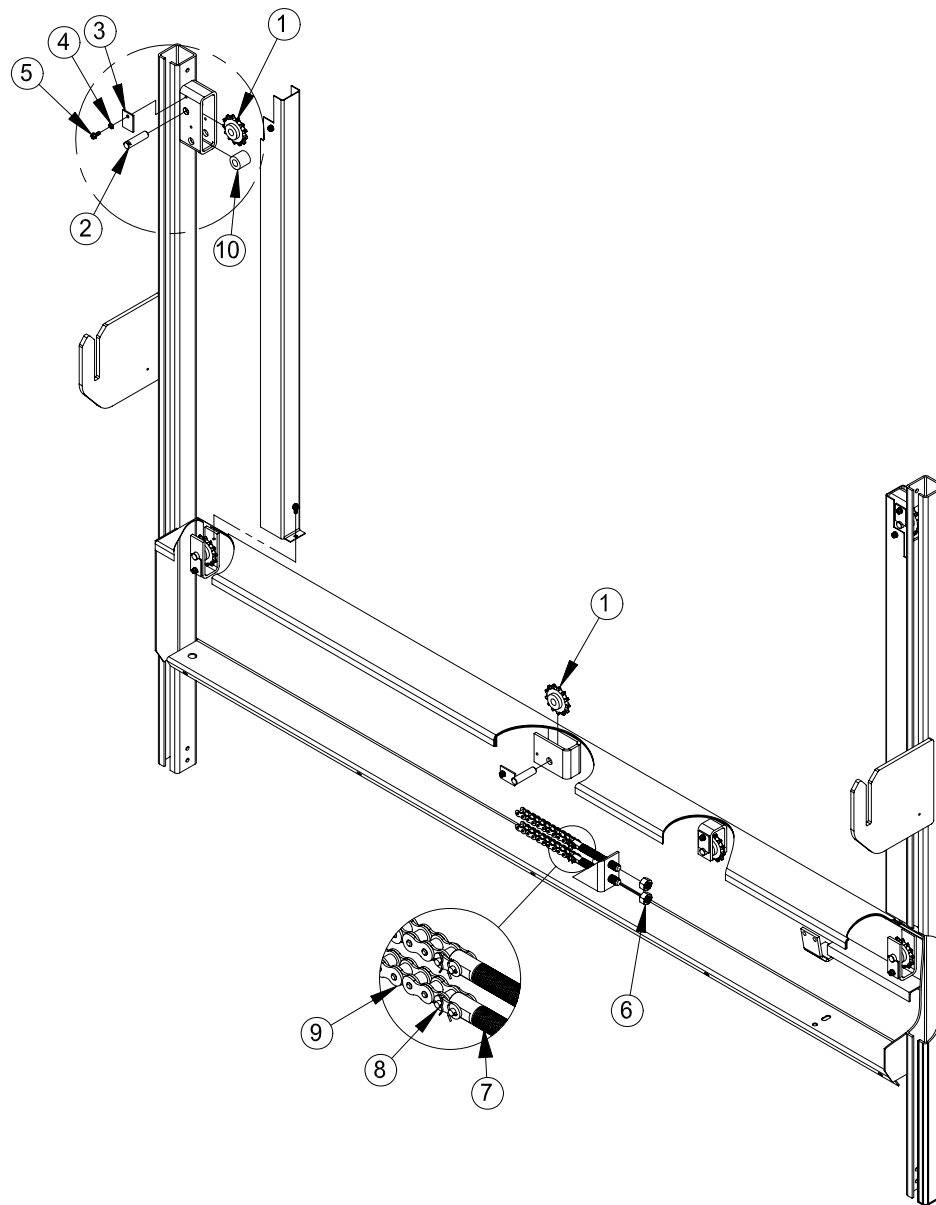
WALTCO LIFT CORP.
 MDL SERIES

REVISED: 8-1-10
 E.O. 6251
 REV. 01

PM-822

ITEM	PART NUMBER	QTY	DESCRIPTION
	43016359	1	H Frame, MDL-12
	43220787	1	H Frame, MDL-16, 20
	43320369	1	H Frame, MDL-30
1	43020082	1	Rail, Curb Side
2	43020083	1	Rail, Street Side
3	43016085	2	Chain Cover
4	43016152	2	Travel Plate
5	43020080	2	Sprocket box
6	43020029	1	Access Door
7	75086062	5	Hex Bolt, 1/4-20 x 3/4
8	75085164	5	Tinnerman Nut, 1/4"

INTERNAL H-FRAME COMPONENTS (INCLUDES ABOVE FLOOR)
 (Built from 4-09)



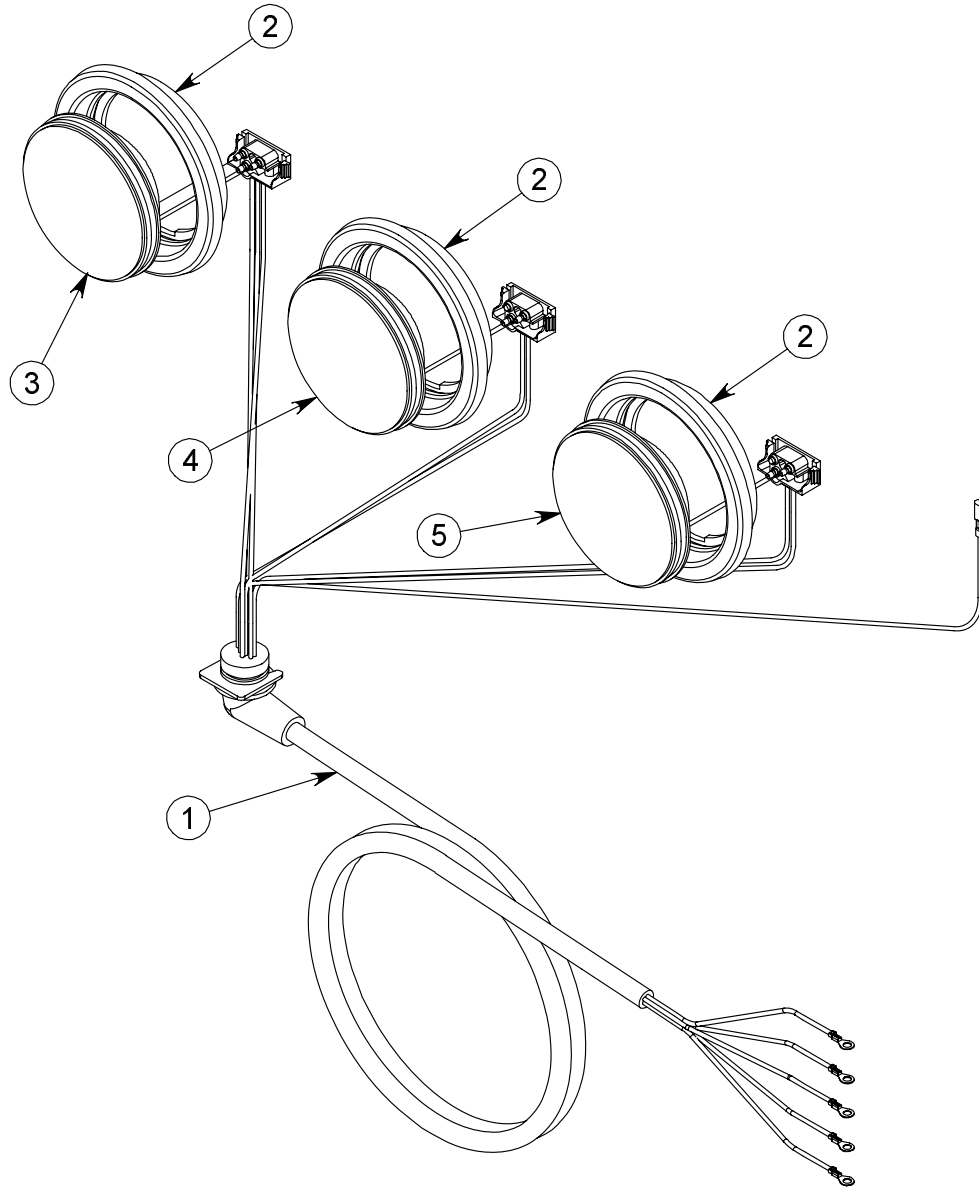
WALTCO LIFT CORP.
 MDL SERIES

REVISED: 8-1-10
 E.O. 6251
 REV. 01

PM-823

ITEM	PART NUMBER	QTY STD	QTY AF	DESCRIPTION
1	43020013	3	6	Sprocket, 13T, #50 Chain, MDL-12, 16, 20
	43330007	3	6	Sprocket, 11T, #60 Chain, MDL-30
2	43020016	3	6	Sprocket Pin
3	43020018	3	6	Pin Retainer
4	7500012-1	3	6	1/4" Lock Washer
5	75086874	3	6	1/4"-20 x 5/8" lg. Hex Head Self Tapping Screw
6	75085111	2	2	Hex Nut, 5/8"-18, Grade 8
7	43020014	2	2	Chain Anchor Bolt, 5/8"-18, #50 Chain, MDL-12, 16, 20
	43330003	2	2	Chain Anchor Bolt, 5/8"-18, #60 Chain, MDL-30
8	80000419	2	2	Roller Chain Master Link, #50 Chain, MDL-12, 16, 20
	80000609	2	2	Roller Chain Master Link, #60 Chain, MDL-30
9	82011015	20 ft	34 ft	Roller Chain, #50, MDL-12, 16, 20
	82011016	20 ft	34 ft	Roller Chain, #60, MDL-30

LIGHT OPTION
(Built from 4-09)



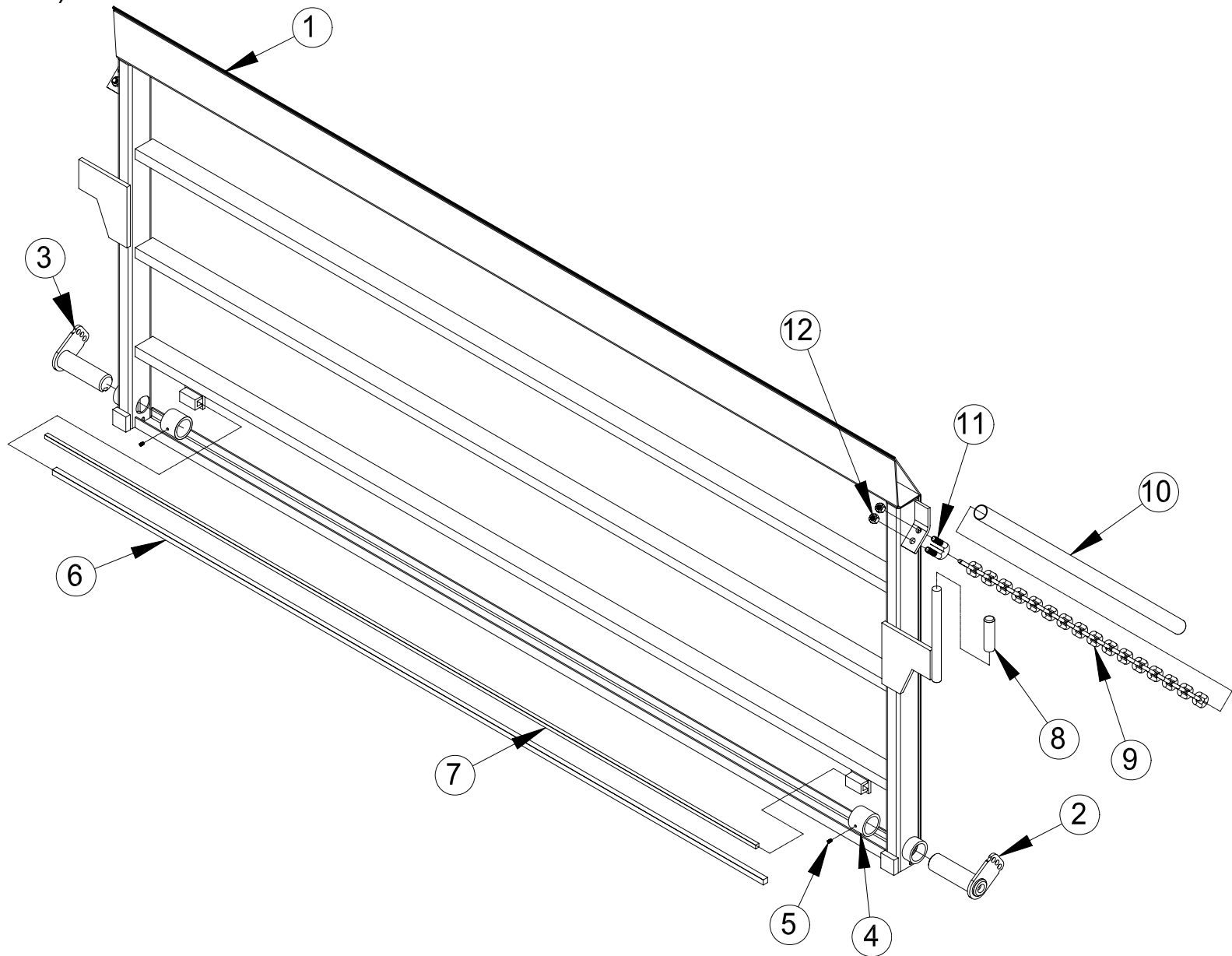
WALTCO LIFT CORP.
MDL SERIES

REVISED: 8-1-10
E.O. 6251
REV. 01

PM-826

ITEM	PART NUMBER	QTY	DESCRIPTION
	43016075	2	4 Light Kit
	43016076	2	6 Light Kit
1	43016093	2	Light Harness, 4 Lights
	43016073	2	Light Harness, 6 Lights
2	75089396	4/6	Light Grommet
3	75089393	2	Light, Red
4	75089392	2	Light, Yellow (Only on 6 Light Kits)
5	75089394	2	Light, White

PLATFORM ASSEMBLY, STEEL – MANUAL FOLD
(Built from 4-09)



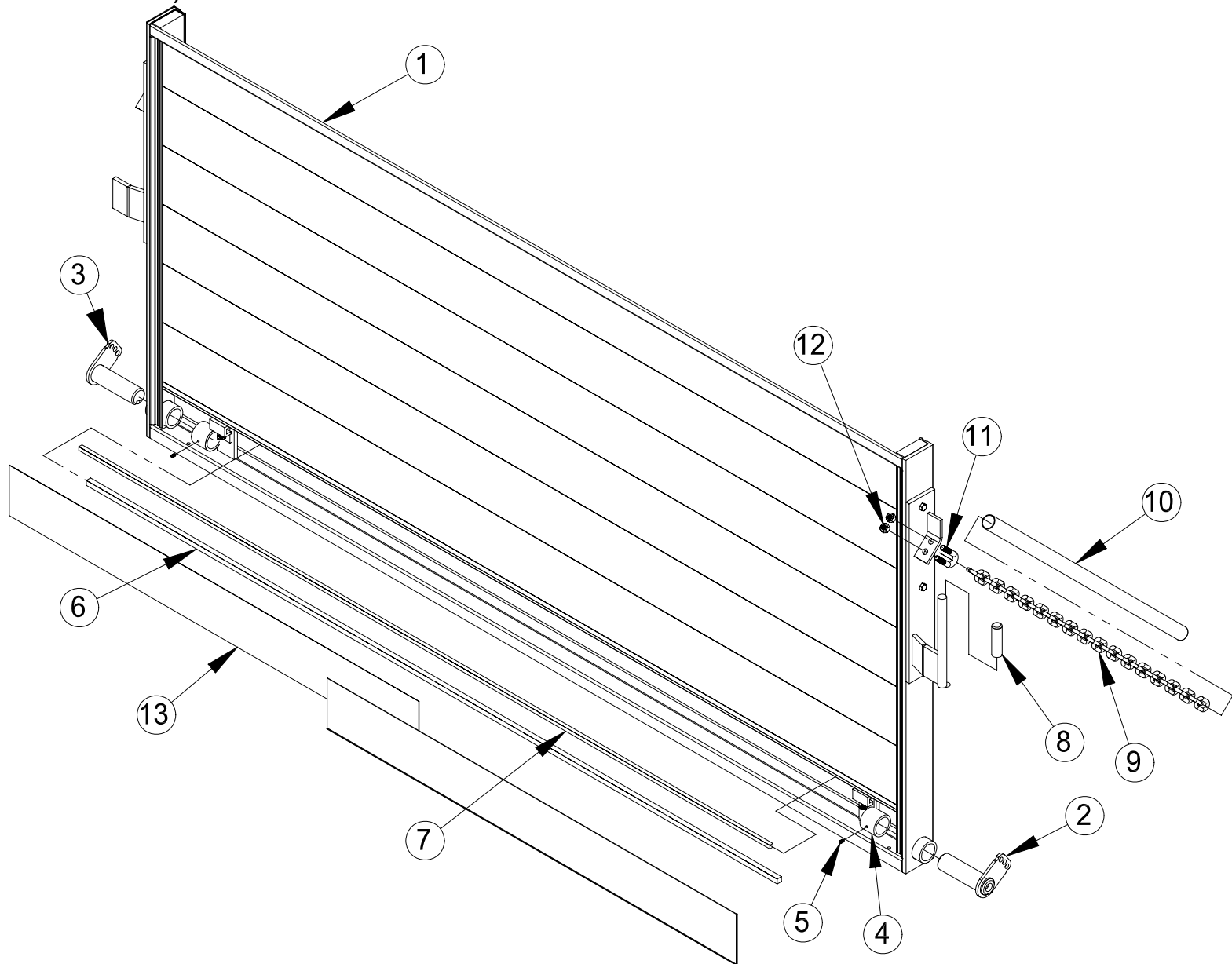
WALTCO LIFT CORP.
MDL SERIES

REVISED: 5-1-11
E.O. 6513
REV. 02

PM-818

ITEM	PART NUMBER	QTY	DESCRIPTION	MDL-12, 16, 20			MDL-30				
				30x89+6	36x89+6	42x89+6	30x89+6	36x89+6	42x89+6	48x89+6	
	43010001	1	Platform Comp., 30x89+6 (Items 1-12)	X							
	43010000	1	Platform Comp., 36x89+6 (Items 1-12)		X						
	43110001	1	Platform Comp., 42x89+6 (Items 1-12)			X					
		1	Platform Comp., 30x89+6 (Items 1-12)				X				
	43310000	1	Platform Comp., 36x89+6 (Items 1-12)					X			
	43310001	1	Platform Comp., 42x89+6 (Items 1-12)						X		
	43322000	1	Platform Comp., 48x89+6 (Items 1-12)								X
1	43016372	1	Platform Assy, 30x89+6	X							
	43016373	1	Platform Assy, 36x89+6		X						
	43180620	1	Platform Assy, 42x89+6			X					
	95099087	1	Platform Assy, 30x89+6				X				
	43390087	1	Platform Assy, 36x89+6					X			
	43380621	1	Platform Assy, 42x89+6						X		
	43316875	1	Platform Assy, 48x89+6								X
2	43016689	1	Hinge Pin Assy, Curb Side, 3/8" TB	X							
	43016690	1	Hinge Pin Assy, Curb Side, 1/2" TB		X	X	X	X			
	43016691	1	Hinge Pin Assy, Curb Side, 9/16" TB						X	X	
3	43016689	1	Hinge Pin Assy, Street Side, 3/8" TB	X	X		X				
	43016790	1	Hinge Pin Assy, Street Side, 1/2" TB			X		X	X		
	43016691	1	Hinge Pin Assy, Street Side, 9/16" TB								X
4	43020205	2	Hinge Pin Collar	X	X	X	X	X	X	X	X
5	7500047-6	2	Collar Set Screw, 1/4"-20 x 3/8"	X	X	X	X	X	X	X	X
6	43020237	1	Torsion Bar, 3/8" x 81", RH Pin	X							
	43020241	1	Torsion Bar, 1/2" x 81", RH Pin		X	X	X	X			
	43020245	1	Torsion Bar, 9/16" x 81", RH Pin						X	X	
7	43020237	1	Torsion Bar, 3/8" x 81", LH Pin	X	X		X				
	43020241	1	Torsion Bar, 1/2" x 81", LH Pin			X		X	X		
	43020245	1	Torsion Bar, 9/16" x 81", LH Pin								X
8	75089294	1	Rubber Handle	X	X	X	X	X	X	X	X
9	43020213	2	Side Chain (46-1/2" lg.)	X	X	X	X	X	X	X	X
10	43016382	2	Side Chain Sleeve	X	X	X	X	X	X	X	X
11	75080125	2	Side Chain U-Bolt	X	X	X	X	X	X	X	X
12	75085178	4	Side Chain U-Bolt Nut	X	X	X	X	X	X	X	X

PLATFORM ASSEMBLY, ALUMINUM – MANUAL FOLD
 (Built from 4-09 thru 9-10)



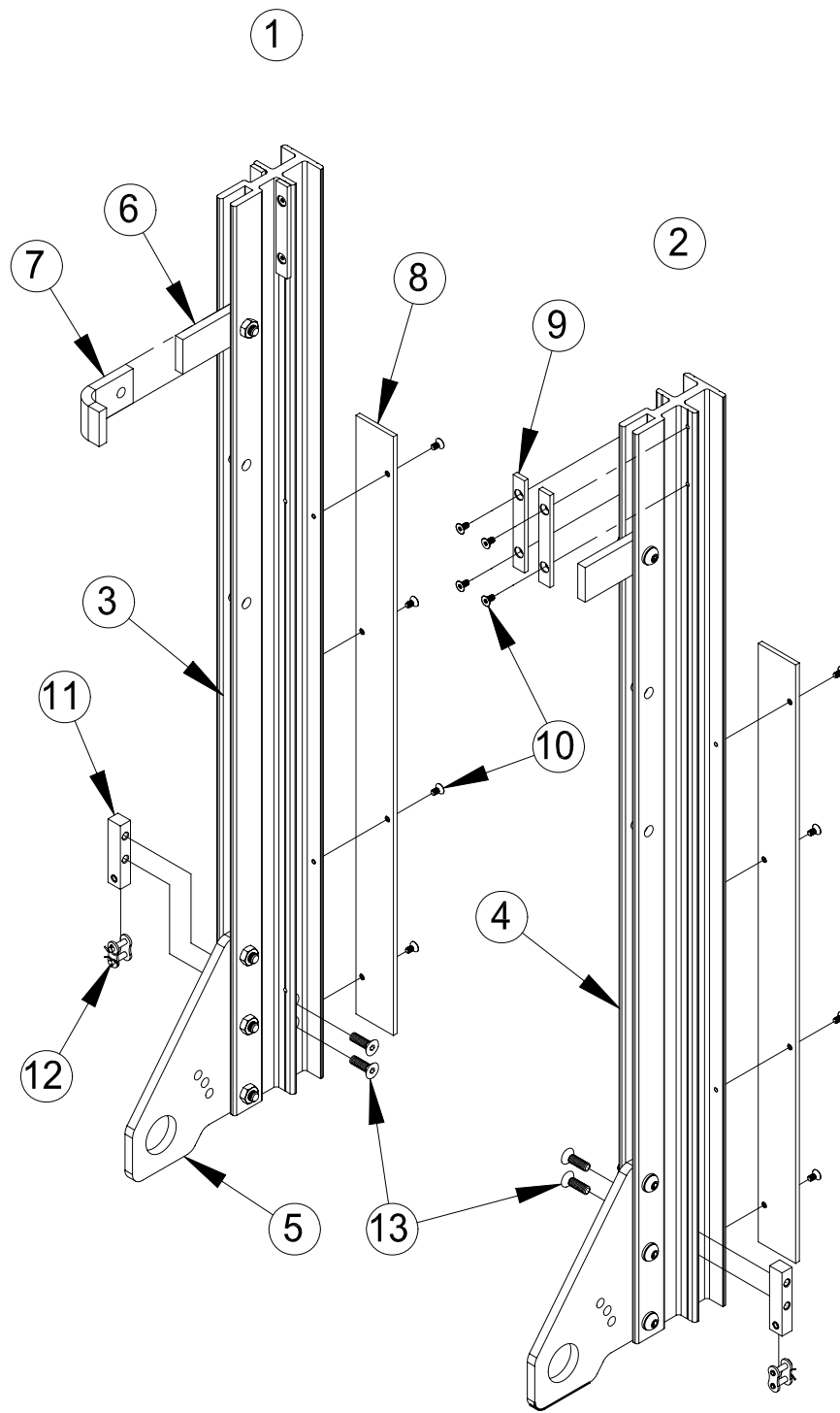
WALTCO LIFT CORP.
 MDL SERIES

REVISED: 5-1-11
 E.O. 6513
 REV. 02

PM-819

ITEM	PART NUMBER	QTY	DESCRIPTION	30x89+6	36x89+6	42x89+6	48x89+6	54x89+6	60x89+6
1	43020693	1	Platform Assy, 30x89+6	X					
	43020694	1	Platform Assy, 36x89+6		X				
	43120695	1	Platform Assy, 42x89+6			X			
	43120696	1	Platform Assy, 48x89+6				X		
	43120697	1	Platform Assy, 54x89+6					X	
	43120698	1	Platform Assy, 60x89+6						X
2	43016690	1	Hinge Pin Assy, Curb Side, 1/2" TB	X	X	X	X	X	
	43016691	1	Hinge Pin Assy, Curb Side, 9/16" TB						X
3	43016689	1	Hinge Pin Assy, Street Side, 3/8" TB	X	X				
	43016790	1	Hinge Pin Assy, Street Side, 1/2" TB			X	X	X	X
4	43020205	2	Hinge Pin Collar	X	X	X	X	X	X
5	7500047-6	2	Collar Set Screw, 1/4"-20 x 3/8"	X	X	X	X	X	X
6	43020237	1	Torsion Bar, 3/8" x 81", RH Pin	X					
	43020241	1	Torsion Bar, 1/2" x 81", RH Pin		X	X	X	X	
	43020245	1	Torsion Bar, 9/16" x 81", RH Pin						X
7	43020237	1	Torsion Bar, 3/8" x 81", LH Pin	X	X				
	43020241	1	Torsion Bar, 1/2" x 81", LH Pin			X	X	X	X
8	75089294	1	Rubber Handle	X	X	X	X	X	X
9	43020213	2	Side Chain (46-1/2" lg.)	X	X	X	X	X	X
10	43016382	2	Side Chain Sleeve	X	X	X	X	X	X
11	75080125	2	Side Chain U-Bolt	X	X	X	X	X	X
12	75085178	4	Side Chain U-Bolt Nut	X	X	X	X	X	X
13	43020174	2	Torsion Bar Cover	X	X	X	X	X	X

SLIDER ASSEMBLY
(Built from 4-09)



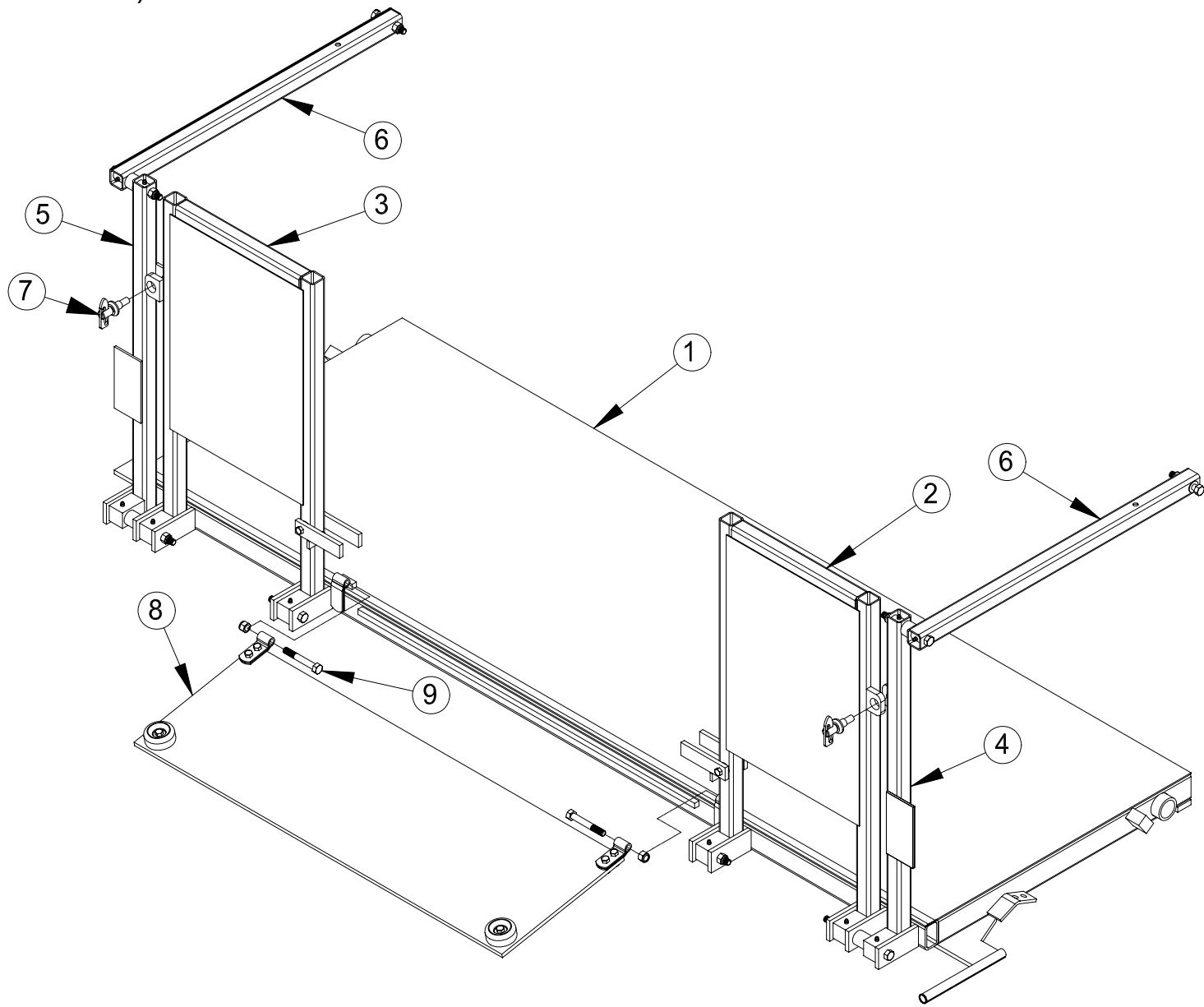
WALTCO LIFT CORP.
MDL SERIES

REVISED: 5-1-11
E.O. 6513
REV. 02

PM-824

ITEM	PART NUMBER	QTY	DESCRIPTION
1	43016693	1	Slider Assy, DS, MDL-12
	43116606	1	Slider Assy, DS, MDL-16, 20, 30
2	43016694	1	Slider Assy, CS, MDL-12
	43116607	1	Slider Assy, CS, MDL-16, 20, 30
3	43016695	1	Slider Extrusion, DS, MDL-12
	43116599	1	Slider Extrusion, DS, MDL-16, 20, 30
4	43016696	1	Slider Extrusion, CS, MDL-12
	43116600	1	Slider Extrusion, CS, MDL-16, 20, 30
5	43016603	2	Slider Foot
6	43016605	2	Slider Stop
7	95016677	2	Slider Stop, Special Platform
8	43016602	2	Wear Pad, Back
9	43116601	4	Wear Pad, Front
10	75086708	8	Screw, #10-32 x 3/8" Flat Head Socket
11	43020006	2	Chain Anchor Block, MDL-12, 16, 20
	43330002	2	Chain Anchor Block, MDL-30
12	80000419	2	Roller Chain Master Link, #50 Chain, MDL-12, 16, 20
	80000609	2	Roller Chain Master Link, #60 Chain, MDL-30
13	75085994	4	Screw, 5/16"-18 x 1" Flat Head Socket

PLATFORM AND FENCE
 (Built from 4-09 thru 8-09)



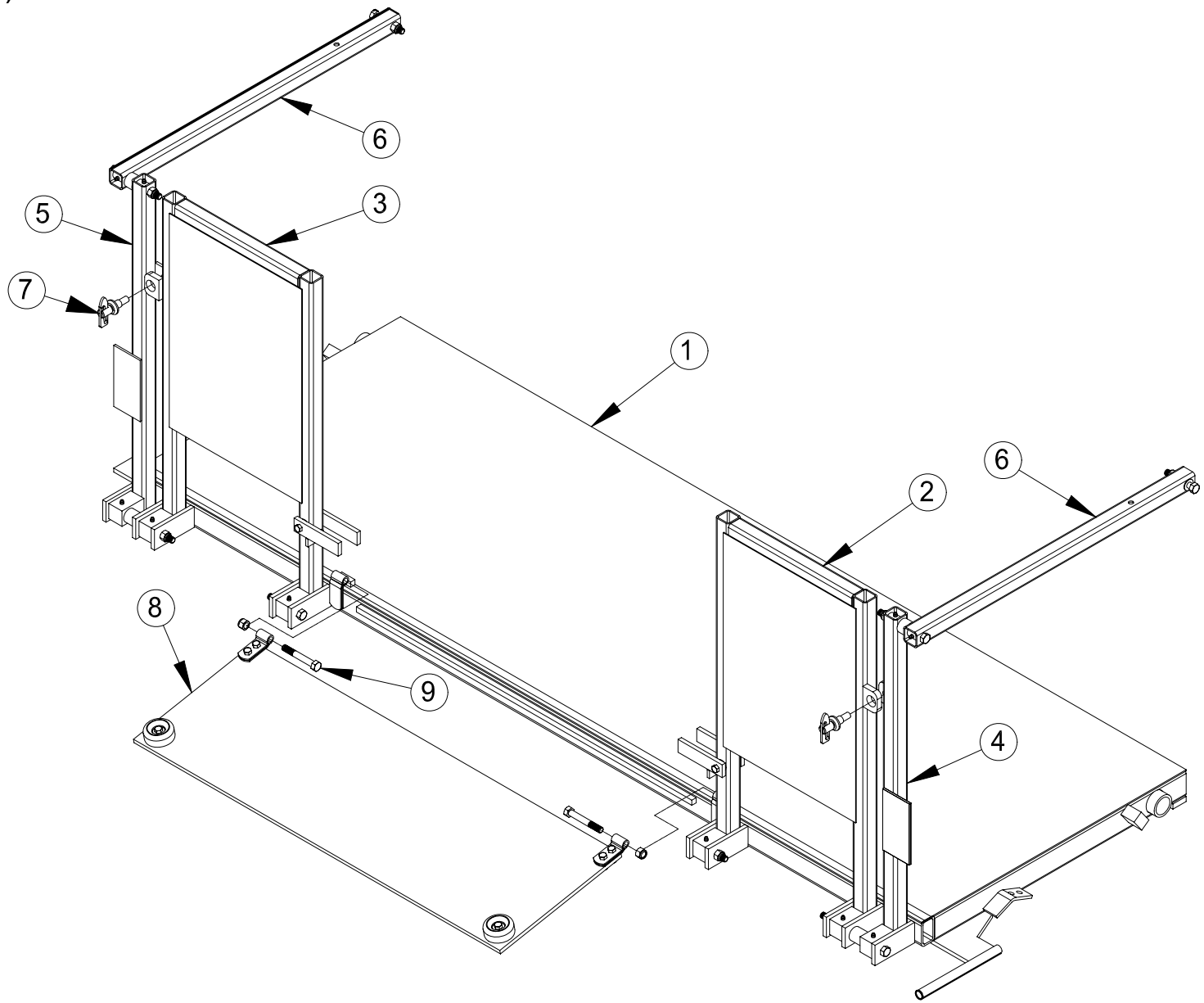
WALTCO LIFT CORP.
 MDLBG SERIES

REVISED: 8-1-10
 E.O. 6251
 REV. 01

PM-820

ITEM	PART NUMBER	QTY	DESCRIPTION
1	95030542	1	Platform, 30x89+14x42
2	95030480	1	Fence Assy, CS
3	95030484	1	Fence Assy, DS
4	95030483	1	Fence Upright, CS
5	95030583	1	Fence Upright, DS
6	95030477	2	Fence Arm
7	75089594	2	Anti-Luce
8	95030202	1	Flip Ramp Assy, 14x42
9	7500010-27	2	Flip Ramp Hinge Bolt

PLATFORM AND FENCE
(Built from 8-09)



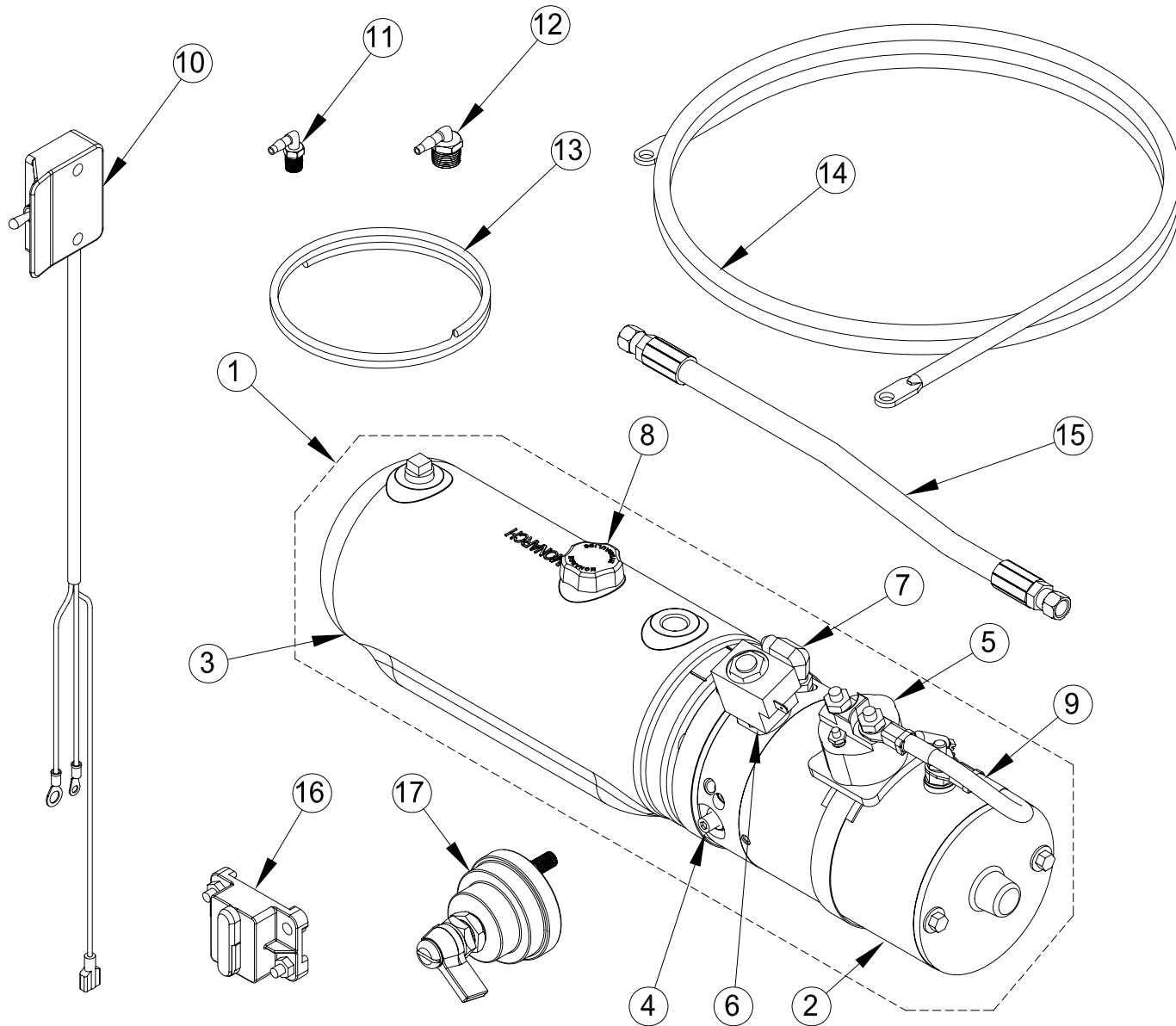
WALTCO LIFT CORP.
MDLBG SERIES

REVISED: 8-1-10
E.O. 6251
REV. 01

PM-820A

ITEM	PART NUMBER	QTY	DESCRIPTION
1	43616999	1	Platform, 30x89+16x45
2	43617003	1	Fence Assy, CS
3	43617004	1	Fence Assy, DS
4	43630442	1	Fence Upright, CS
5	43630572	1	Fence Upright, DS
6	43617001	2	Fence Arm
7	75089594	2	Anti-Luce
8	42669334	1	Flip Ramp Assy, 16x45
9	7500010-27	2	Flip Ramp Hinge Bolt

HYDRAULIC & ELECTRICAL COMPONENTS
(Built from 4-09)



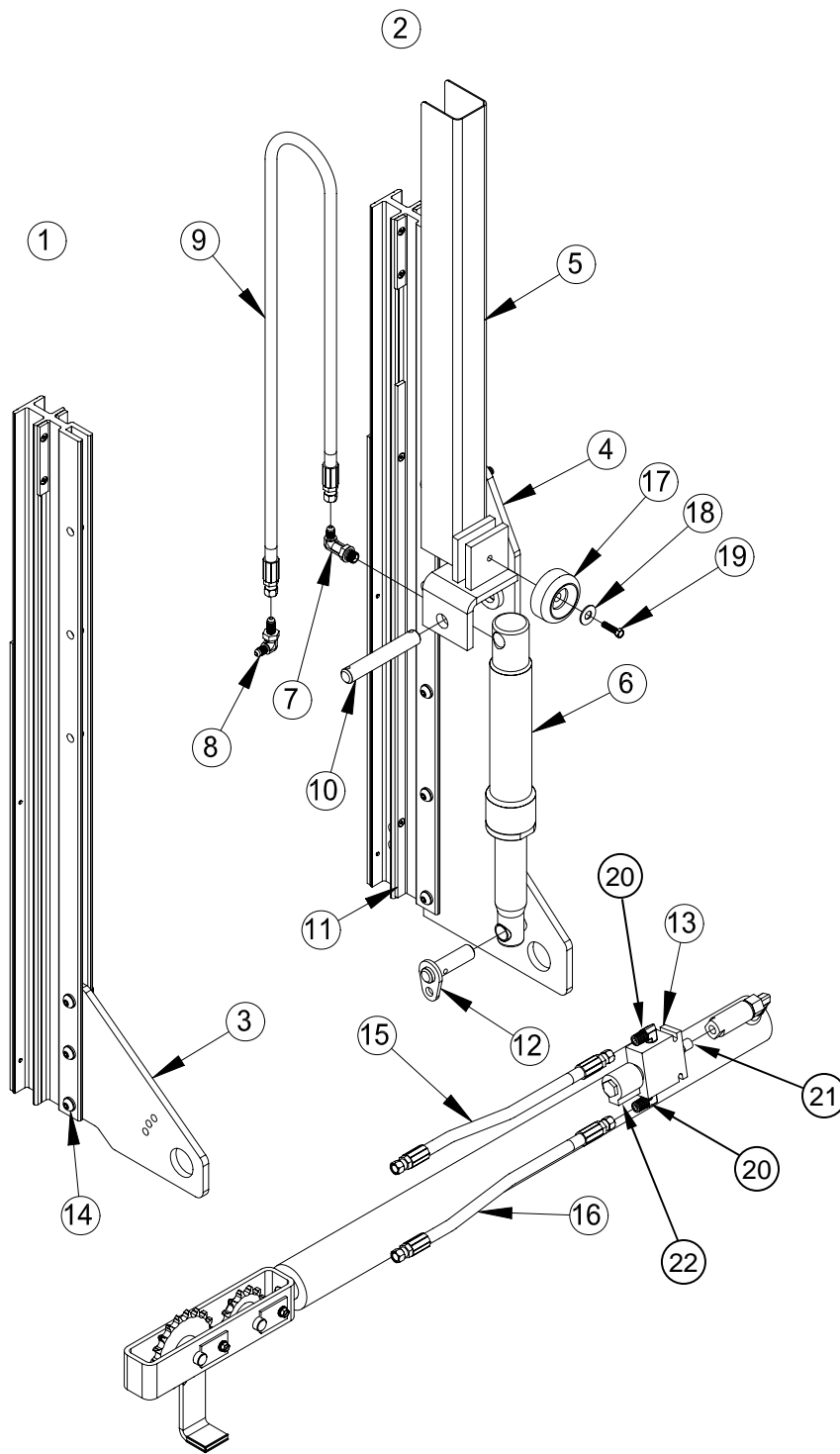
WALTCO LIFT CORP.
MDL SERIES

REVISED: 5-1-11
E.O. 6513
REV. 02

PM-825

ITEM	PART NUMBER	QTY	DESCRIPTION
1	43020849	1	Hydraulic Pump Unit, 2400 PSI, 10" Reservoir, MDL-12
	43020848	1	Hydraulic Pump Unit, 2400 PSI, 14" Reservoir, MDL-16, 20, 30
2	7043001-1	1	Motor, 12V w/ Thermal Protection
3	70400828	1	Reservoir, 10"
	43016835	1	Reservoir, 14"
4	70092355	1	Relief Valve
5	80001065	1	Motor Solenoid
6	70092503	1	Valve, 2 way, 2 pos w/ Coil
7	75083364	1	Elbow, 90°, ¼ JICM x #6 SAE
8	70091734	1	Breather
9	10195908	1	Solenoid Cable
10	43010179	1	Switch Assy, 2 way, 5ft.
11	7500026-5	1	Elbow, 90° Barb
12	7500026-6	1	Elbow, 90° Barb
13	43040082	1	Tube, Flexible PVC, 3/16" ID x 60"
14	10195635	1	Battery Cable, 2 Ga. x 35 ft.
15	43220894	1	Hose Assy, ¼" x 18" lg. ¼ JIC Female
16	U20453	1	135 Amp Circuit Breaker
17	75089790	1	Master Disconnect Switch

POWER CLOSE OPTION
(Built from 4-04)



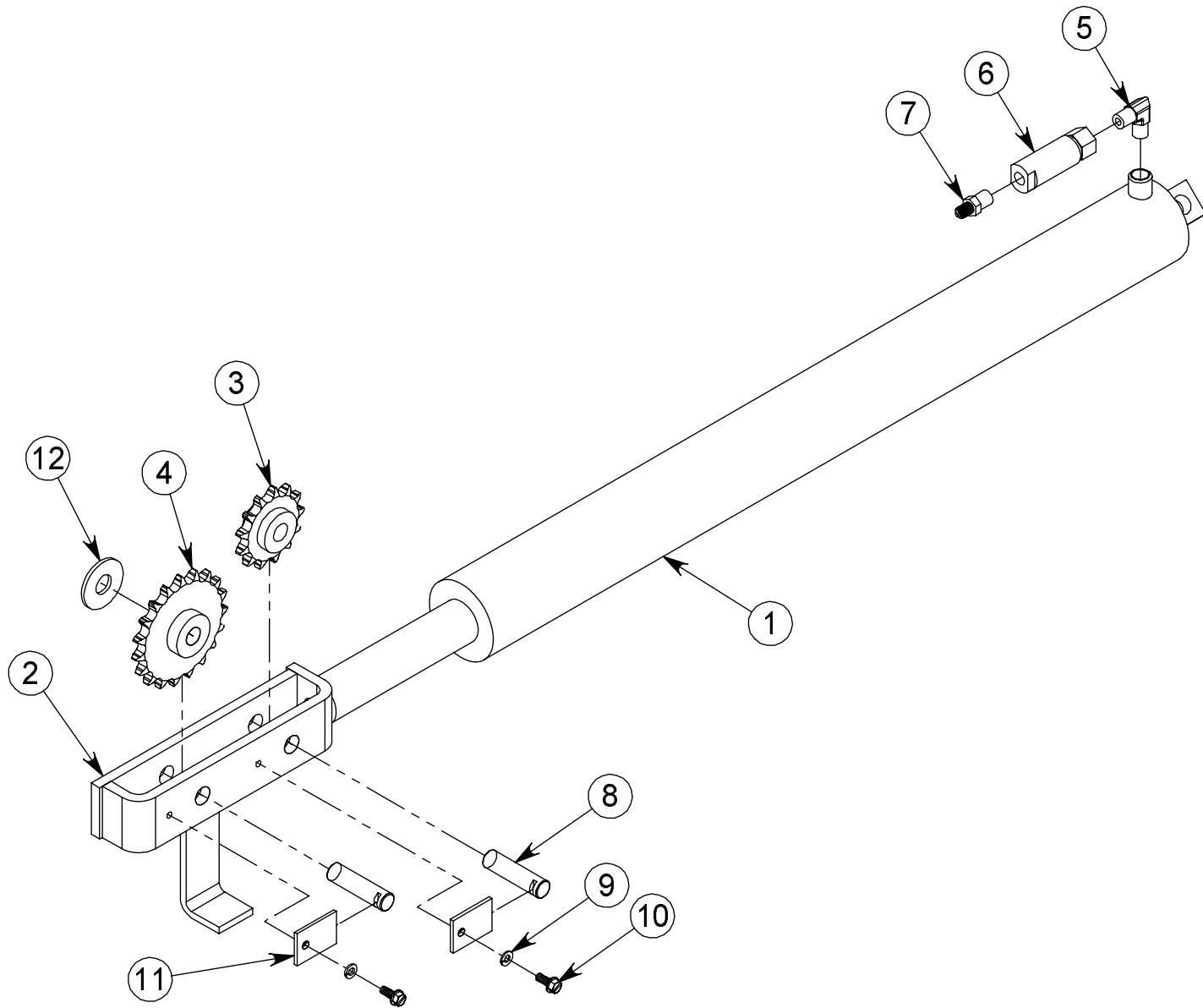
WALTCO LIFT CORP.
MDL SERIES

REVISED: 8-1-10
E.O. 6251
REV. 01

PM-827

ITEM	PART NUMBER	QTY	DESCRIPTION
1	43216681	1	Slider Assy, GOPC, DS
2	43216682	1	Slider Assy, GOPC, CS
3	43216667	1	Slider Foot, GOPC, DS
4	43216651	1	Slider Foot, GOPC, CS
5	43220882	1	Hose Guard, GOPC
6	43216800	1	Cylinder, GOPC
7	75083371	1	Elbow, 90°, ¼ JICM x #6 SAE w/ .031" Orifice
8	75083361	1	Elbow, 90°, Bulkhead, ¼ JICM x ¼ JICM
9	43220893	1	Hose Assy, GOPC
10	43220880	1	Pin, Upper GOPC
11	43216642	2	Slider Spacer
12	43220881	1	Pin, Lower GOPC
13	43220895	1	Selector Valve
14	75086218	8	Hex Bolt, 3/8"-16 x 1-1/4" Grade 8
15	43220894	1	Hose Assy, ¼" x 18" lg, ¼ JIC Female
16	43220894	1	Hose Assy, ¼" x 18" lg, ¼ JIC Female
17	34036750	1	Rubber Bumper
18	75088053	1	Washer, 3/8" ID x 1" OD x .078" Thk.
19	75086844	1	Screw, Self Taping, 5/16" x 1"
20	75083362	2	Elbow, 90°, ¼ JICM x #4 SAE
21	75083363	1	Adapter, ¼" SAE x ¼" NPTM
22	43220879	1	Wire Harness, MDL GOPC Valve

CYLINDER ASSEMBLY
(Built from 4-09)



WALTCO LIFT CORP.
MDL SERIES

REVISED: 8-1-10
E.O. 6251
REV. 01

PM-828

ITEM	PART NUMBER	QTY	DESCRIPTION
	43010123	1	Cylinder Assy Complete, MDL-12
	43020578	1	Cylinder Assy Complete, MDL-12AF, MDL-16, 20
	43330117	1	Cylinder Assy Complete, MDL-30
1	43012133	1	Cylinder, 2" x 22-1/2" (Includes Head)
	43016132	1	Cylinder, 2" x 27-1/8" (Includes Head)
	43340111	1	Cylinder, 2-1/2" x 27" (Includes Head)
2	43012109	1	Cylinder Head, Weld, MDL-12, 16, 20
	43320111	1	Cylinder Head, Weld, MDL-30
3	43020013	1	Sprocket, 13T, #50 Chain
	43330107	1	Sprocket, 16T, #60 Chain
4	43020108	1	Sprocket, 19T, #50 Chain
	43330106	1	Sprocket, 22T, #60 Chain
5	75083355	1	Elbow, #6 SAE Male x 1/4" NPT Male
6	7010001-15	1	Pressure Comp. Valve, 2.5 GPM
	7010001-16	1	Pressure Comp. Valve, 4.0 GPM
7	75083039	1	Adapter, 1/4" NPT Male x #4 JIC Male
8	43020016	2	Sprocket Pin
9	7500012-1	2	Lock Washer, 1/4"
10	75086874	2	Screw, 1/4"-20 x 5/8"
11	43020018	2	Pin Retainer
12	75088064	1	Washer, 5/8" ID x 1-5/16" OD x .095" (Not Used on MDL-30)

Gardena

Ser No	Date
116000	01/83
117000	05/83
118000	09/83
119000	12/83
130000	03/84
131000	05/84
132000	07/84
133000	10/84
134000	12/84
135000	03/85
136000	04/85
137000	07/85
138000	10/85
139000	11/85
150000	03/86
151000	05/86
152000	09/86
153000	12/86
154000	03/87
155000	05/87
156000	07/87
157000	10/87
158000	11/87
159000	12/87
170000	02/88
171000	04/88
172000	06/88

Ser No	Date
173000	08/88
174000	10/88
175000	11/88
176000	01/89
177000	03/89
178000	04/89
179000	07/89
190000	09/89
191000	11/89
192000	01/90
193000	03/90
194000	05/90
195000	07/90
196000	10/90
197000	12/90
198000	03/91
199000	06/91
210000	09/91
211000	12/91
212000	04/92
213000	06/92
214000	09/92
215000	12/92
216000	02/93
217000	05/93
218000	08/93
219000	12/93

Ser No	Date
230000	02/94
231000	05/94
232000	08/94
233000	10/94
234000	12/94
235000	02/95
236000	05/95
237000	08/95
238000	11/95
239000	01/96
250000	03/96
251000	06/96
252000	09/96
253000	12/96
254000	03/97
255000	05/97
256000	08/97
257000	10/97
258000	01/98
259000	03/98
270000	05/98
271000	07/98
272000	10/98
273000	12/98
274000	02/99
275000	04/99
276000	06/99

Ser No	Date
277000	08/99
278000	10/99
279000	12/99
290000	02/00
291000	04/00
292000	06/00
293000	08/00
294000	11/00
295000	02/01
296000	05/01
297000	07/01
298000	09/01
299000	01/02
310000	04/02
311000	07/02
312000	10/02
313000	01/03
314000	04/03
315000	07/03
316000	11/03
317000	03/04
318000	04/04
330000	04/04
331000	07/04
332000	10/04
333000	12/04
334000	04/05

Ser No	Date
335000	05/05
336000	11/05
337000	11/05
338000	03/06
339000	04/06
350000	08/06
351000	01/07
352000	04/07
353000	09/07
354000	01/08
355000	08/08

***All Serial Number Dates are approximate**

Shipped From Warehouses

Marietta (Georgia)

Ser No	Date
M1000	12/87
M1100	12/88
M1500	04/89
M2000	03/90
M2500	12/90
M3000	09/91
M3500	07/92
M4000	04/93
M4500	02/94
M5000	06/94
M5500	11/94
M6000	04/95
M6500	09/95
M7000	04/96
M7500	10/96
M8000	04/97
M8500	09/97

Ser No	Date
M9000	02/98
M9500	06/98
M10000	09/98
M10500	01/99
M11000	04/99
M11500	08/99
M12000	01/00
M12500	09/00
M13000	10/00
M13500	02/01
M14000	07/01
M14500	01/02
M15000	06/02
M15500	01/03
M16000	07/03
M16500	11/03
M17000	04/04

Ser No	Date
M17500	07/04
M18000	10/04
M19000	01/05
M19500	04/05
M20000	01/06
M20500	03/06
M21000	08/06
M21500	01/07
M21600	03/07
M21700	04/07
M21800	05/07
M21900	07/07
M22000	08/07
M22100	11/07
M22200	12/07
M22300	01/08
M22600	06/08

Others

Ser No	Date
D1000	01/91
D2000	06/92
D3000	03/94
D4000	03/95
D5000	11/96
D6000	04/98
D7000	04/99
F1000	02/00
S1000	04/00
A1000	04/00
T8000	05/00
T9000	09/02
T9500	11/03
T9900	06/04

Burlington (Wisconsin)

Ser No	Date
W1000	11/94
W1100	02/95
W1200	04/95
W1300	06/95
W1400	08/95
W1500	10/95
W1600	12/95
W1700	03/96
W1800	05/96
W1900	08/96
W2000	09/96
W2100	12/96
W2200	02/97
W2300	04/97
W2400	06/97
W2500	08/97

Ser No	Date
W2600	10/97
W2700	12/97
W2800	01/98
W2900	06/98
W3000	07/98
W3100	09/98
W3200	12/98
W3300	03/99
W3400	05/99
W3500	07/99
W3600	09/99
W3700	10/99
W3800	12/99
W3900	03/00
W4000	04/00
W4100	05/00

Ser No	Date
W4200	07/00
W4300	09/00
W4400	11/00
W4500	01/01
W4600	03/01
W4700	05/01
W4800	07/01
W4900	10/01
W5000	12/01
W5100	12/01
W5200	02/02
W5300	03/02
W5400	06/02
W5500	07/02
W5600	09/02
W5700	01/03

Ser No	Date
W5800	01/03
W5900	02/03
W6000	04/03
W6100	06/03
W6200	08/03
W6300	10/03
W6400	01/04
W6500	03/04
W6600	06/04
W6700	09/04
W6800	12/04
W6900	02/05
W7000	05/05

***All Serial Number Dates are approximate**

MISC.

Ser No	Date
CMC100	05/07
CMC200	07/07
CMC300	09/07
CMC400	10/07
CMC500	12/07
CMC600	01/08
CMC700	06/08

Ser No	Date
CMT100	05/07
CMT200	
CMT300	
CMT400	
CMT500	
CMT600	