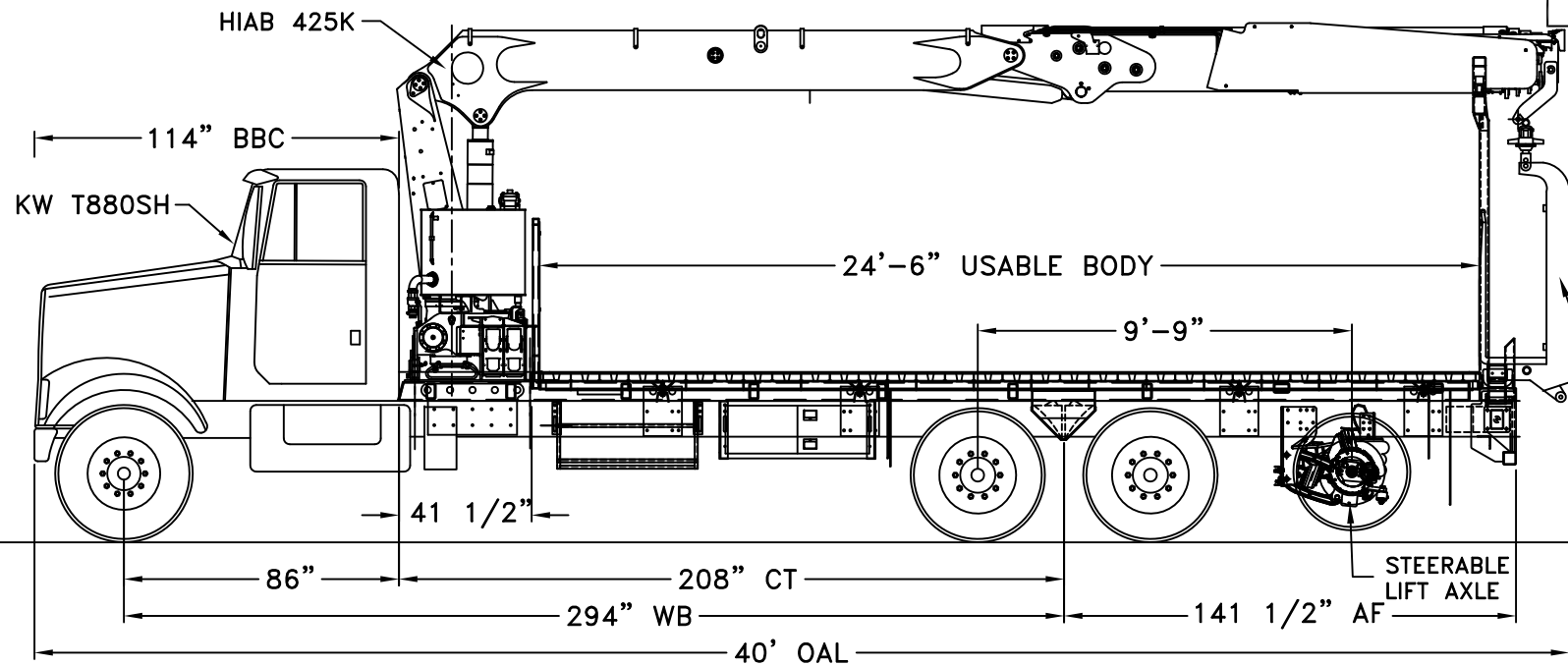


REV. PART NO. H3751

CRANE MAY BE DERATED IN REAR QUADRANTS AS MUCH AS 30%. ACTUAL DERATING SHALL BE BASED ON PHYSICAL TESTING.

KINSHOFER KM461-54/63/18



TRUCK, HIAB CRANE & ACCESSORIES WEIGHT DISTRIBUTION, NO PAYLOAD, LIFT AXLE UP.	
TOTAL WEIGHT ON FRONT AXLE	= 14,420 LBS.
TOTAL WEIGHT ON REAR AXLE	= 27,110 LBS.
FRONT AXLE WT. PERCENTAGE	= 35 %
REAR AXLE WT. PERCENTAGE	= 65 %
GROSS VEHICLE WEIGHT	= 41,530 LBS.

TRUCK, HIAB CRANE & ACCESSORIES WEIGHT DIST., WITH PAYLOAD, LIFT AXLE DOWN.	
TOTAL WEIGHT ON FRONT AXLE	= 18,510 LBS.
TOTAL WEIGHT ON REAR AXLE	= 34,000 LBS.
TOTAL WEIGHT ON LIFT AXLE	= 9,500 LBS.
FRONT AXLE WT. PERCENTAGE	= 30 %
REAR AXLE WT. PERCENTAGE	= 55 %
LIFT AXLE WT. PERCENTAGE	= 15 %
GROSS VEHICLE WEIGHT	= 62,010 LBS.
WATER LEVEL PAYLOAD	= 20,480 LBS.

TRUCK SPECIFICATIONS	
TRUCK MODEL	= KENWORTH T880SH
WHEELBASE	= 294"
CAB TO AXLE	= 208"
AXLE-TO-FRAME	= 141 1/2"
FRONT AXLE CURB WEIGHT	= 10,000 LBS.
REAR AXLE CURB WEIGHT	= 9,000 LBS.
FRONT G.A.W.R.	= 20,000 LBS.
REAR G.A.W.R.	= 40,000 LBS.
YIELD STRENGTH OF EACH FRAME RAIL	MINIMUM SECTION MODULUS REQUIRED
120,000 P.S.I. YIELD	= 38.44 in. ³
MINIMUM RBM/RAIL OF 4,613,070 IN-LBS	

NOTES:
 DOUBLE FRAME CHASSIS REQUIRED.
 FRAME RAIL MUST MEET THE MINIMUM RBM REQUIRED.
 FULL LENGTH SUBFRAME REQUIRED:
 6" X 4" X 3/8" RECT. TUBING (ON TOP OF FRAME RAIL)
 5" X 3" X 3/8" RECT. TUBING (CROSS MEMBERS)
 FLATBED WEIGHT IS ESTIMATED.
 CURB WEIGHS WERE PROVIDED.

TRUCK RUNS IN US (RULES FOR MOST STATES).
 20,000 LBS. ALLOWED ON FRONT AXLE.
 34,000 LBS. ALLOWED ON TANDEM.
 43,500 LBS. ALLOWED ON TRIDEM. (10")
 63,500 LBS. ALLOWED GROSS WEIGHT.
 ALLOWABLE LEGAL OVERALL LENGTH IS 40'.

NOTICE:
 THE DRAWING PURPOSE IS TO INTRODUCE A GENERAL CONCEPT OF A PROPOSED IDEA.

NOTICE:
 THIS WEIGHT DISTRIBUTION IS BASED ON ESTIMATED WEIGHTS AND IS ONLY AS ACCURATE AS THOSE ESTIMATES. ACTUAL WEIGHTS MAY CHANGE THE RESULTS OF THIS WEIGHT DISTRIBUTION.

Hiab
 Hiab, Inc.
 12233 Williams Road
 Perrysburg, Ohio 43551
 Tel (419) 482-6000
 Fax (419) 482-6001

Tolerances - unless otherwise noted.
 Tolerances are in inches
 2-PLACE ±.000... .03
 3-PLACE ±.000... .015
 ANGULAR ±1/16"
 FRACTIONAL ±1/16"
 Break all sharp corners unless otherwise specified.

THIS PROPERTY AND ALL INFORMATION THEREIN IS THE PROPERTY OF HIAB, INC., 12233 WILLIAMS RD, PERRYSBURG, OHIO 43551 AND IS CONFIDENTIAL. IT MUST NOT BE MADE PUBLIC OR COPIED. THIS DRAWING IS LOANED TO RETURN UPON DEMAND AND SHALL NOT BE USED DIRECTLY OR INDIRECTLY IN ANY WAY DETRIMENTAL TO OUR INTERESTS. OUR PRIOR SPECIFIC APPROVAL IS REQUIRED FOR EXPOSURE OF THIS DRAWING TO OTHERS FOR ANY PURPOSE.

Next Assy.
 Dwg/Cad file no. 425 / SALES

Drawing Title: **HIAB 425K-4 HIPRO CRANE**

Project Name: **SALES LAYOUT**

Drawn by: **EJM** Date: **4-30-18** Size: **unit wt.** Part No. **Eng. Job no.:**

Approval: **Date Approved:** Scale: **unit wt.**