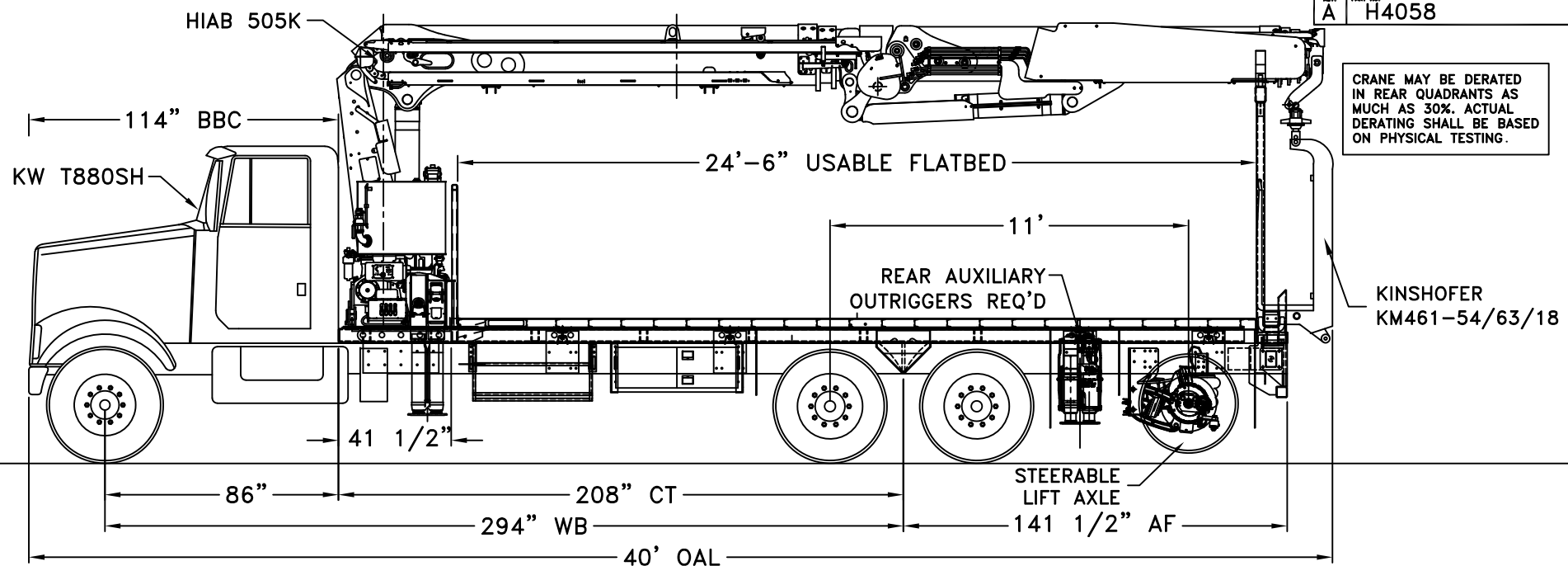


REV. PART NO. A H4058



CRANE MAY BE DERATED IN REAR QUADRANTS AS MUCH AS 30%. ACTUAL DERATING SHALL BE BASED ON PHYSICAL TESTING.

KINSHOFER KM461-54/63/18

TRUCK, HIAB CRANE & ACCESSORIES WEIGHT DISTRIBUTION, <u>NO PAYLOAD</u> , LIFT AXLE UP.	
TOTAL WEIGHT ON FRONT AXLE	= 15,640 LBS.
TOTAL WEIGHT ON REAR AXLE	= 33,490 LBS.
FRONT AXLE WT. PERCENTAGE	= 32 %
REAR AXLE WT. PERCENTAGE	= 68 %
GROSS VEHICLE WEIGHT	= 49,130 LBS.

TRUCK, HIAB CRANE & ACCESSORIES WEIGHT DIST., <u>WITH PAYLOAD</u> , LIFT AXLE DOWN.	
TOTAL WEIGHT ON FRONT AXLE	= 19,850 LBS.
TOTAL WEIGHT ON REAR AXLE	= 34,000 LBS.
TOTAL WEIGHT ON LIFT AXLE	= 9,500 LBS.
FRONT AXLE WT. PERCENTAGE	= 31 %
REAR AXLE WT. PERCENTAGE	= 54 %
LIFT AXLE WT. PERCENTAGE	= 15 %
GROSS VEHICLE WEIGHT	= 63,350 LBS.
WATER LEVEL PAYLOAD	= 14,220 LBS.

TRUCK SPECIFICATIONS	
TRUCK MODEL	= KENWORTH T880SH
WHEELBASE	= 294"
CAB TO AXLE	= 208"
AXLE-TO-FRAME	= 141 1/2"
FRONT AXLE CURB WEIGHT	= 10,000 LBS.
REAR AXLE CURB WEIGHT	= 9,000 LBS.
FRONT G.A.W.R.	= 20,000 LBS.
REAR G.A.W.R.	= 40,000 LBS.
YIELD STRENGTH OF EACH FRAME RAIL	MINIMUM SECTION MODULUS REQUIRED
120,000 P.S.I. YIELD	= 46.55 in. <sup>3</sup>
MINIMUM RBM/RAIL OF 5,585,679 IN-LBS	

**NOTES:**  
 DOUBLE FRAME CHASSIS REQUIRED.  
 FRAME RAIL MUST MEET OR EXCEED THE MINIMUM RBM REQUIRED.  
 FULL LENGTH SUBFRAME REQUIRED:  
 5"X3"X3/8" RECT. TUBING (ON TOP OF CHASSIS FRAME)  
 5"X3"X3/8" RECT. TUBING (CROSSMEMBERS EVERY 3 FT.)  
 1/2" TOP PLATE & 3/8" BOTTOM PLATE REQUIRED - FULL LENGTH  
 CURB WEIGHTS WERE ESTIMATED.  
 LIFT AXLE WEIGHTS WERE ESTIMATED.  
 BODY WEIGHTS WERE ESTIMATED.

TRUCK RUNS IN US (RULES FOR MOST STATES).  
 20,000 LBS. ALLOWED ON FRONT AXLE.  
 34,000 LBS. ALLOWED ON TANDEM.  
 44,000 LBS. ALLOWED ON TRIDEM. (11')  
 64,000 LBS. ALLOWED GROSS WEIGHT.  
 ALLOWABLE LEGAL OVERALL LENGTH IS 40'.

**NOTICE:**  
 THE DRAWING PURPOSE IS TO INTRODUCE A GENERAL CONCEPT OF A PROPOSED IDEA.

**NOTICE:**  
 THIS WEIGHT DISTRIBUTION IS BASED ON ESTIMATED WEIGHTS AND IS ONLY AS ACCURATE AS THOSE ESTIMATES. ACTUAL WEIGHTS MAY CHANGE THE RESULTS OF THIS WEIGHT DISTRIBUTION.

<b>Hiab</b> Hiab, Inc. 12233 Williams Road Perrysburg, Ohio 43051 Tel (419) 482-6000 Fax (419) 482-6001 <small>Tolerances - unless otherwise noted. Tolerances are in inches.</small> 2-PLACE ±.000......03 3-PLACE ±.000......015 ANGULAR ± .....1' FRACTIONAL ± corners 1/16" <small>Break all sharp corners unless otherwise specified.</small>	THIS PROPERTY AND ALL INFORMATION THEREIN IS THE PROPERTY OF HIAB, INC., 12233 WILLIAMS RD, PERRYSBURG, OHIO 43051 AND IS CONFIDENTIAL. IT MUST NOT BE MADE PUBLIC OR COPIED. THIS DRAWING IS LOANED TO RETURN UPON DEMAND AND SHALL NOT BE USED DIRECTLY OR INDIRECTLY IN ANY WAY DETRIMENTAL TO OUR INTERESTS. OUR PRIOR SPECIFIC APPROVAL IS REQUIRED FOR EXPOSURE OF THIS DRAWING TO OTHERS FOR ANY PURPOSE.	Drawing Title: <b>HIAB 505K-4 HIPRO CRANE</b>
	Project Name: <b>SALES LAYOUT</b>	Drawn by: Date: <b>SMG 9-16-19</b>
Dwg/Cad file no. <b>505 / SALES</b>	Approval: Date Approved:	Scale: unit wt. Eng. job no.: