

The robust earth drills for truck cranes up to 18,0 t/m are an economical and customized solution for earth drills e.g. for fencing, road signage, landscaping and tree planting. Well borings, screw pile installations and sound barrier installations are also no problem for the earth drills.

- ▷ Non Dislodgement Shaft (NDS) for more safety and lower down times, as this unique construction prevents the output shaft from dislodgement.
- ▷ Pre-filled with a colored gear oil. Not only is the use of a colored oil a good indicator of correct service, but it also aids identifying possible hydraulic oil leaks.
- ▷ The heavy duty fabricated hoods feature forged steel ears; these high strength ears easily transmit the high torsional loads, experienced whilst drilling, without becoming fatigued.
- ▷ Easy access oil service points.



Earth Drills for Truck Cranes 2300-10 / 4000-14 / 5000-14

Type	For cranes up to (t/m)	Shaft standard (in)	Shaft options (in)	Speed range (RPM)	Height (in)	Diameter (in)	Weight (lbs)	Suitable augers
2300-10	9	2.56 round	2" hex; 2.24 square	7 - 46	26.18	9.61	161	S4 100 - 600
4000-14	15	2.95 square	2.5" hex	11 - 38	30.71	10.59	238	S5 150 - 800
5000-14	9 - 18	2.95 square	2.5" hex	9 - 30	30.71	10.59	243	S5 150 - 1000

Standard package consists of: earth drill, connecting link for suspension

Accessories

Type	Description
S4 Ext 500	extension suitable for earth drill 2300-10 and S4 augers - 19.68 in length
S4 Ext 1000	extension suitable for earth drill 2300-10 and S4 augers - 39.37 in length
S5 Ext 1000	extension suitable for earth drills 4000-14 / 5000-14 and S5 augers - 39.37 in length
S5 Ext 1500	extension suitable for earth drills 4000-14 / 5000-14 and S5 augers - 59.05 in length
S5 Ext 2000	extension suitable for earth drills 4000-14 / 5000-14 and S5 augers - 78.74 in length
S6 TeleExt 1500	telescopic extension suitable for earth drills 5500TC / 7000TC and S5/S6 augers starting from diameter 11.81 in length 59.05 in
S6 TeleExt 2000	telescopic extension suitable for earth drills 5500TC / 7000TC and S5/S6 augers starting from diameter 11.81 in length 78.74 in
Rope wind hitch	rope wind hitch for safe position on the truck crane during transport

Technical Details

Type:	2300-10	4000-14	5000-14
Oil pressure range:	1450 - 3750 psi	1450 - 3750 psi	1450 - 3750 psi
Oil flow range:	1.3 - 10.5 GPM	4 - 14.5 GPM	4 - 14,5 GPM
Torque range:	707 - 2295 ft.lbs.	1242 - 4039 ft.lbs.	1547 - 5029 ft.lbs.

Pictures



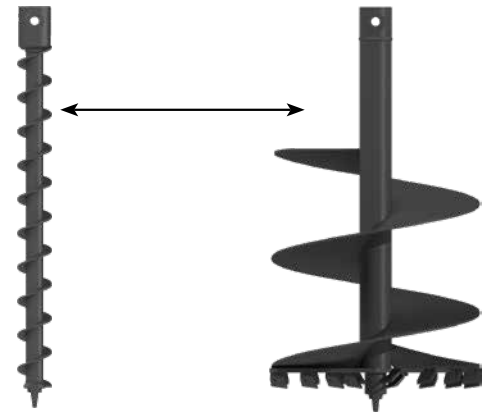
Rope wind hitch



Extensions / telescopic extension

The S4 auger is perfectly matched to the 2300-10 earth drill and every task. A constant spiral configuration and a shallow pitch flight guarantee extreme efficiency and productivity. Suitable for truck cranes up to 9 t/m .

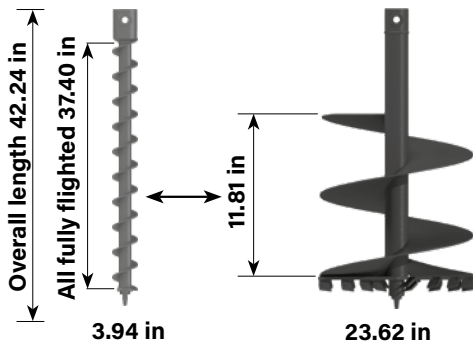
- ▷ Higher productivity by constant spiral configuration and the perfectly angled tooth holder.
- ▷ Interchangeable pilots and teeth allow for differing ground conditions.
- ▷ Easy fitting of teeth and pilots.
- ▷ Patented Shock Lock-System: incorporating a shock absorbing rubber element to protect the tungsten carbide on the tooth assembly coupled with a solid locking pin prevent tooth loss.
- ▷ High flexibility thanks to different auger extensions.



S4 Augers (please specify pilot and tooth option when ordering)

Type	Diameter (in)	Spiral length (in)	Overall length (in)	Weight (lbs)	Number of teeth	Tooth type
S4 100	3.93	37.40	47.24			Earth Tungsten Extra-dig*
S4 150	5.90	30.70	47.24			Earth Tungsten Extra-dig*
S4 200	7.87	29.52	47.24			Earth Tungsten Extra-dig*
S4 225	8.85	29.52	47.24			Earth Tungsten Extra-dig*
S4 250	9.84	27.55	47.24			Earth Tungsten Extra-dig*
S4 300	11.81	27.55	47.24			Earth Tungsten Extra-dig*
S4 350	13.77	26.57	47.24			Earth Tungsten Extra-dig*
S4 400	15.74	24.60	47.24			Earth Tungsten Extra-dig*
S4 450	17.71	24.60	47.24			Earth Tungsten Extra-dig*
S4 500	19.68	24.60	47.24			Earth Tungsten Extra-dig*
S4 600	23.62	23.62	47.24			Earth Tungsten Extra-dig*

* Tungsten-teeth with special digging pilot



S4 Extensions

19.68 in



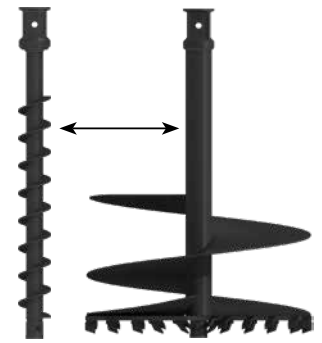
39.37 in



Note: all augers are fitted with shock lock tooth holder. Overall length stated includes fitted wear parts.

The S5 auger is perfectly matched to the corresponding earth drills and every task. A constant spiral configuration and a shallow pitch flight guarantee extreme efficiency and productivity. Suitable for truck cranes from 9 t/m up to 18 t/m.

- ▷ Higher productivity by constant spiral configuration and the perfectly angled tooth holder.
- ▷ Interchangeable pilots and teeth allow for differing ground conditions.
- ▷ Easy fitting of teeth and pilots.
- ▷ Patented Shock Lock-System: incorporating a shock absorbing rubber element to protect the tungsten carbide on the tooth assembly coupled with a solid locking pin prevent tooth loss.
- ▷ High flexibility thanks to different auger extensions and telescopic extensions.
- ▷ For earth drills 4000-14 and 5000-14.

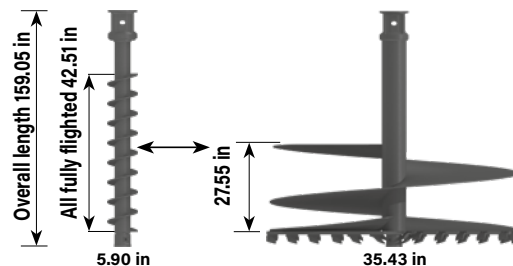


S5 Augers (please specify pilot and tooth option when ordering)						
Type	Diameter (in)	Spiral length (in)	Overall length (in)	Weight (lbs)	Number of teeth	Tooth type
S5 150	5.90	42.51	59.05			Earth Tungsten Rock
S5 200	7.87	38.46	59.05			Earth Tungsten Rock
S5 225	8.85	38.38	59.05			Earth Tungsten Rock
S5 250	9.84	37.99	59.05			Earth Tungsten Rock
S5 300	11.81	35.43	59.05			Earth Tungsten Rock
S5 350	13.77	35.43	59.05			Earth Tungsten Rock
S5 400	15.74	34.44	59.05			Earth Tungsten Rock
S5 450	17.71	29.52	59.05			Earth Tungsten Rock
S5 500	19.68	29.52	59.05			Earth Tungsten Rock
S5 600	23.62	29.52	59.05			Earth Tungsten Rock
S5 700	27.55	27.55	59.05			Earth Tungsten Rock
S5 750	29.52	27.55	59.05			Earth Tungsten Rock
S5 800	31.49	27.55	59.05			Earth Tungsten Rock
S5 900	35.43	27.55	59.05			Earth Tungsten Rock
S5 1000	39.37	20.66	59.05			Earth Tungsten Rock

S5 Extension



S6 Telescopic extension



Note: all augers are fitted with shock lock tooth holder. The use of rock teeth depends on the rock tooth type of the auger. Overall length stated includes fitted wear parts.