

TECHNICAL SPECIFICATIONS  
**HIAB X-DUO 148**

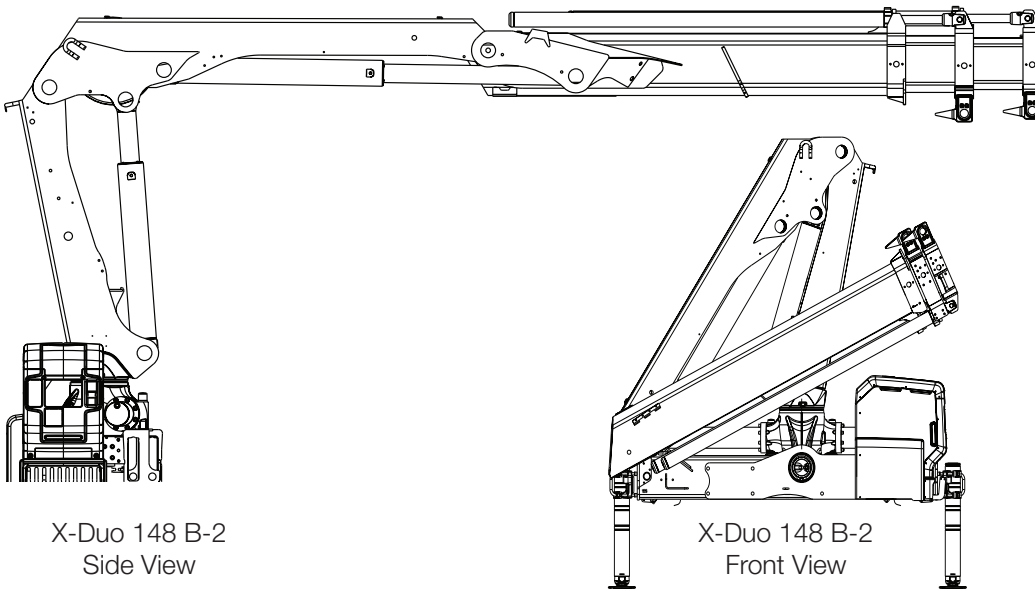


**BUILT TO PERFORM**



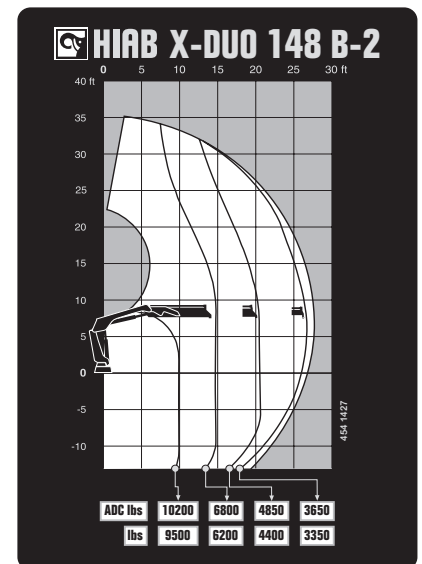
# HIAB X-DUO 148 BASIC DATA

TECHNICAL DATA	B-2	B-3	D-4	E-3	ES-3
Max. lifting capacity (ft-lbs)	98 840	96 590	90 730	92 900	93 700
Outreach, hydraulic extensions (ft)	27' 7"	34' 9"	42' 0"	34' 5"	33' 6"
Outreach / lifting capacity (ft-lbs)	9' 6" - 10 140 14' 5" - 6 830 20' 4" - 4 850 26' 7" - 3 660 -	10' 2" - 9 480 14' 9" - 6 390 20' 8" - 4 410 26' 11" - 3 400 33' 10" - 2 650 -	11' 2" - 8 160 15' 1" - 5 950 21' 0" - 4 140 27' 7" - 3 000 34' 1" - 2 340 41' 4" - 1 900	7' 10" - 11 680 15' 1" - 6 170 21' 0" - 4 320 27' 3" - 3 260 34' 1" - 2 560 -	7' 3" - 12 350 14' 1" - 6 610 20' 0" - 4 410 26' 3" - 3 350 33' 2" - 2 650 -
Slewing angle (°)	415	415	415	415	415
Height in folded position (in)	88	88	88	89	89
Width in folded position (in)	96	98	98	95	95
Installation space needed (in)	40	40	41	41	41
Weight, "standard" crane without stabilizers (lbs)	3 420	3 660	4 210	4 190	4 170
Weight, stabilizer equipment (lbs)	540 - 850	540 - 850	540 - 850	540 - 850	540 - 850



X-Duo 148 B-2  
Side View

X-Duo 148 B-2  
Front View



**Disclaimer.** Hiab cranes have been built to meet the highest standards of safety and service life and have been thoroughly tested. Strength calculations for this model have been carried out in accordance with EN13001 in fatigue class S2. Cargotec's certified Quality Assurance System complies with ISO 9001. Some of the items in our literature may be extra equipment. Certain applications may require an official permit. We reserve the right to change technical specifications without prior notice. Hiab cranes produced for EU-countries are CE marked and comply with the European Standard EN12999.

Hiab is the world's leading provider of on-road load handling equipment. Customer satisfaction is the first priority for us. Hiab's product range includes HIAB loader cranes, JONSERED recycling and forestry cranes, LOGLIFT forestry cranes, MOFFETT truck mounted forklifts, and MULTILIFT demountables, as well as DEL, WALTCO, and ZEPRO tail lifts.

www.hiab.us.com  
Hiab is part of Cargotec.  
www.cargotec.com

Hiab USA Inc  
12233 Williams Road  
Perrysburg, OH 43551 USA  
tel. 419 482 6000  
fax. 419 482 6001

