

TECHNICAL SPECIFICATIONS  
**HIAB X-HIDUO 062**

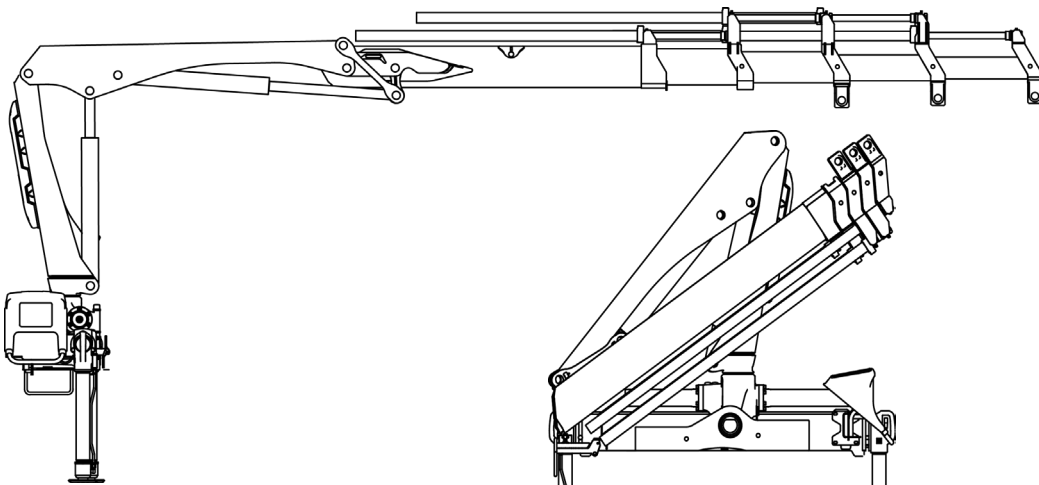


**BUILT TO PERFORM**



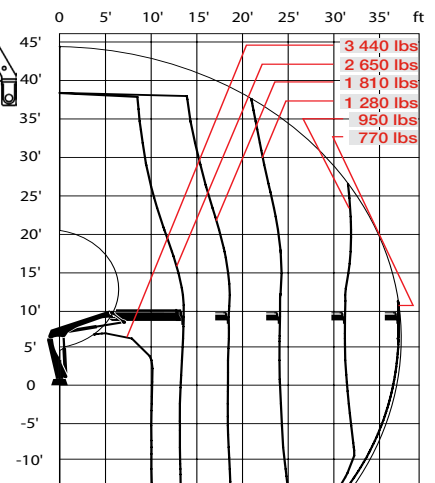
# HIAB X-HIDUO 062 BASIC DATA

TECHNICAL DATA	X-HIDUO 062B-1	X-HIDUO 062B-2	X-HIDUO 062D-3	X-HIDUO 062D-4
Max. lifting capacity (ft-lbs)	35 380	33 210	33 930	31 690
Outreach, hydraulic extensions (ft)	17' 5"	23' 11"	30' 6"	37' 1"
Outreach / lifting capacity (ft-lbs)	7' 7" - 5 070 12' 6" - 3 090 17' 9" - 2 160 - - -	8' 10" - 4 190 12' 6" - 2 910 17' 9" - 1 980 23' 7" - 1 460 - -	9' 6" - 3 790 13' 1" - 2 730 18' 1" - 1 940 23' 11" - 1 410 30' 6" - 1 080 -	10' 2" - 3 440 13' 5" - 2 650 18' 4" - 1 810 23' 11" - 1 280 30' 6" - 950 36' 9" - 770
Slewing angle (°)	410	410	410	410
Height in folded position (in)	75	75	75	75
Width in folded position (in)	82	85	85	85
Installation space needed (in)	29	29	29	29
Weight, "standard" crane without stabilizers (lbs)	1 610	1 790	1 940	2 090
Weight, stabilizer equipment (lbs)	230 - 350	230 - 350	230 - 350	230 - 350
Weight, jib (lbs)	-	-	-	-



X-HiDuo 062D-4  
Side View

X-HiDuo 062D-4  
Front View



**Disclaimer.** Hiab cranes have been built to meet the highest standards of safety and service life and have been thoroughly tested. Strength calculations for this model have been carried out in accordance with EN13001 in fatigue class S2. Cargotec's certified Quality Assurance System complies with ISO 9001. Some of the items in our literature may be extra equipment. Certain applications may require an official permit. We reserve the right to change technical specifications without prior notice. Hiab cranes produced for EU-countries are CE marked and comply with the European Standard EN12999.

Hiab is the world's leading provider of on-road load handling equipment. Our high performance product range includes loader cranes, forestry and recycling cranes, demountables, truck mounted forklifts and tail lifts. We aim to set the industry benchmark for customer satisfaction by providing products and services that meet customer needs globally.

www.hiab.us.com  
Hiab is part of Cargotec.  
www.cargotec.com

Hiab USA Inc  
12233 Williams Road  
Perrysburg, OH 43551 USA  
tel. +419 482 6000  
fax. +419 482 6001

