

TECHNICAL SPECIFICATIONS
HIAB X-HIDUO 258

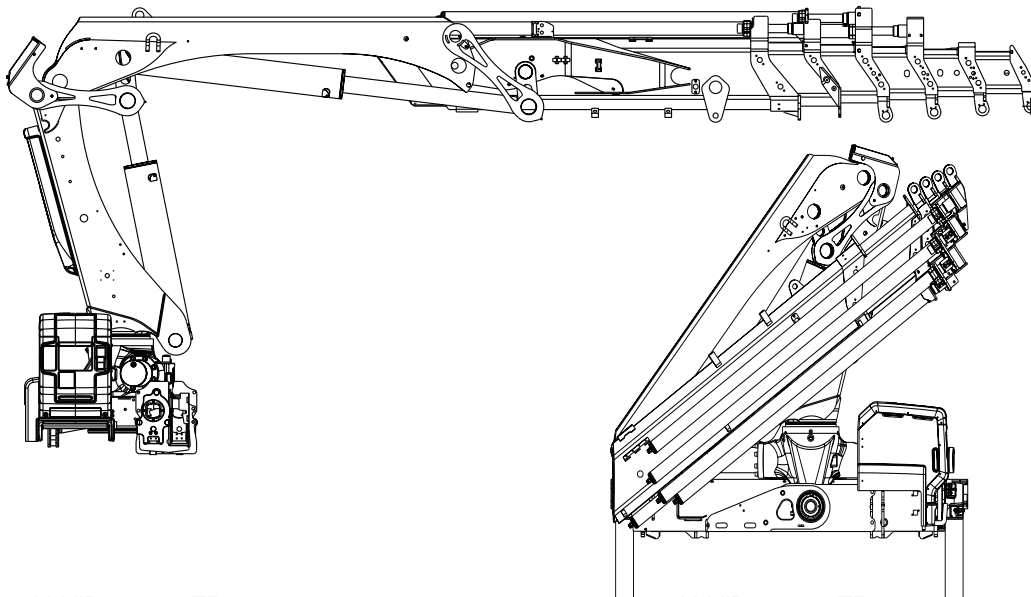


BUILT TO PERFORM



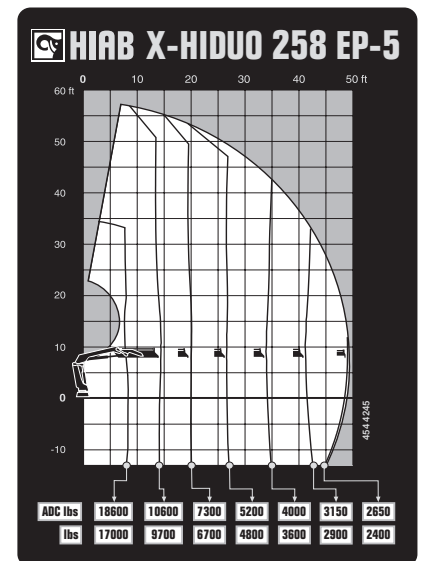
HIAB X-HIDUO 258 BASIC DATA

TECHNICAL DATA	EP-4	EP-5	E-6	E-8
Max. lifting capacity (ft-lbs)	158 750	155 710	149 340	142 320
Outreach, hydraulic extensions (ft)	41' 8"	49' 6"	53' 2"	68' 11"
Outreach / lifting capacity (ft-lbs)	8' 2" - 18 740 14' 5" - 11 020 20' 0" - 7 720 26' 7" - 5 560 33' 10" - 4 280 41' 4" - 3 480 - - -	8' 2" - 18 520 14' 9" - 10 580 20' 4" - 7 280 26' 11" - 5 250 34' 1" - 3 970 41' 8" - 3 170 49' 3" - 2 650 - - -	7' 10" - 18 520 14' 9" - 10 140 20' 0" - 6 940 25' 11" - 5 030 32' 2" - 3 790 38' 9" - 2 950 45' 7" - 2 430 52' 10" - 2 030 - -	7' 10" - 17 860 15' 5" - 9 260 20' 8" - 6 260 26' 7" - 4 370 32' 10" - 3 130 39' 4" - 2 340 46' 3" - 1 810 53' 6" - 1 460 61' 0" - 1 190 68' 7" - 1 060
Slewing angle (°)	410	410	410	410
Height in folded position (in)	94	94	95	95
Width in folded position (in)	98	99	99	99
Installation space needed (in)	48	46	48	48
Weight, "standard" crane without stabilizers (lbs)	6 170	6 480	6 950	7 690
Weight, stabilizer equipment (lbs)	840 - 1 030	840 - 1 030	840 - 1 030	840 - 1 030



X-HiDuo 258 EP-5
Side View

X-HiDuo 258 EP-5
Front View



Disclaimer. Hiab cranes have been built to meet the highest standards of safety and service life and have been thoroughly tested. Strength calculations for this model have been carried out in accordance with EN13001 in fatigue class S2. Cargotec's certified Quality Assurance System complies with ISO 9001. Some of the items in our literature may be extra equipment. Certain applications may require an official permit. We reserve the right to change technical specifications without prior notice. Hiab cranes produced for EU-countries are CE marked and comply with the European Standard EN12999.

Hiab is the world's leading provider of on-road load handling equipment. Customer satisfaction is the first priority for us. Hiab's product range includes HIAB loader cranes, JONSERED recycling and forestry cranes, LOGLIFT forestry cranes, MOFFETT truck mounted forklifts, and MULTILIFT demountables, as well as DEL, WALTCO, and ZEPRO tail lifts.

www.hiab.us.com
Hiab is part of Cargotec.
www.cargotec.com

Hiab USA Inc
12233 Williams Road
Perrysburg, OH 43551 USA
tel. 419 482 6000
fax. 419 482 6001



V2016.11.02