

TECHNICAL SPECIFICATIONS  
**HIAB X-HIPRO 162**



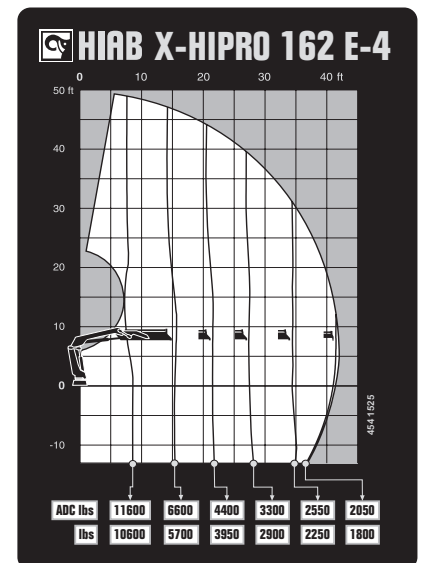
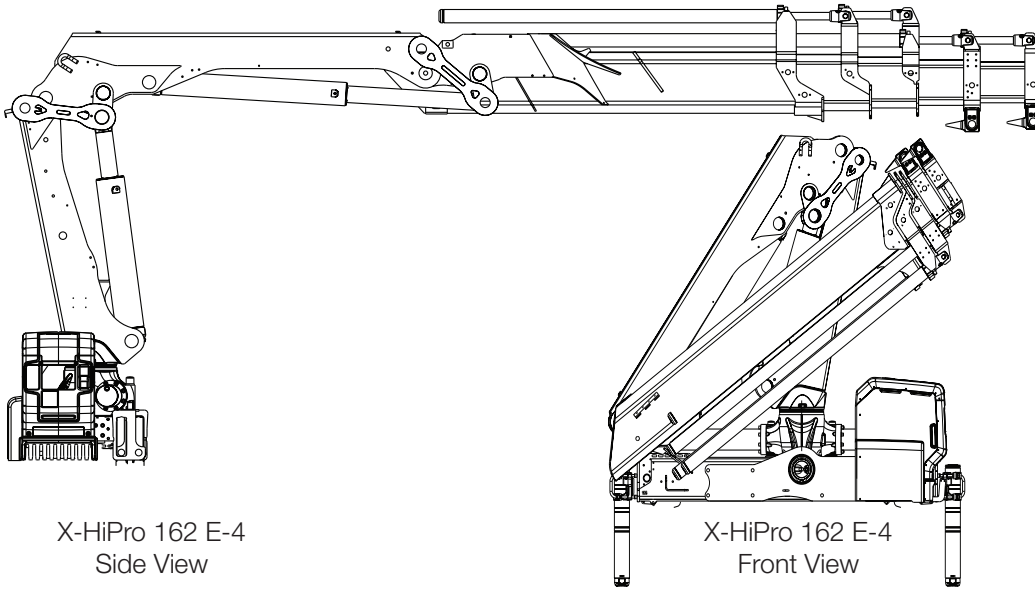
**BUILT TO PERFORM**



**HIAB**

# HIAB X-HIPRO 162 BASIC DATA

TECHNICAL DATA	E-2	E-3	E-4	E-5
Max. lifting capacity (ft-lbs)	107 660	103 250	101 800	97 390
Outreach, hydraulic extensions (ft)	27' 3"	34' 5"	42' 0"	49' 6"
Outreach / lifting capacity (ft-lbs)	7' 10" - 13 010 14' 9" - 7 280 20' 8" - 5 070 26' 11" - 3 880 - -	8' 2" - 12 350 15' 1" - 6 830 21' 0" - 4 850 27' 3" - 3 620 34' 1" - 2 870 -	8' 2" - 11 680 15' 5" - 6 610 21' 4" - 4 410 27' 7" - 3 310 34' 5" - 2 560 41' 8" - 2 070 -	8' 6" - 11 020 15' 9" - 6 170 21' 8" - 4 230 27' 11" - 3 090 34' 9" - 2 340 42' 0" - 1 900 49' 3" - 1 590
Slewing angle (°)	415	415	415	415
Height in folded position (in)	89	89	89	89
Width in folded position (in)	94	95	98	99
Installation space needed (in)	40	42	42	42
Weight, "standard" crane without stabilizers (lbs)	4 100	4 340	4 590	4 830
Weight, stabilizer equipment (lbs)	540 - 850	540 - 850	540 - 850	540 - 850



**Disclaimer.** Hiab cranes have been built to meet the highest standards of safety and service life and have been thoroughly tested. Strength calculations for this model have been carried out in accordance with EN13001 in fatigue class S2. Cargotec's certified Quality Assurance System complies with ISO 9001. Some of the items in our literature may be extra equipment. Certain applications may require an official permit. We reserve the right to change technical specifications without prior notice. Hiab cranes produced for EU-countries are CE marked and comply with the European Standard EN12999.

Hiab is the world's leading provider of on-road load handling equipment. Customer satisfaction is the first priority for us. Hiab's product range includes HIAB loader cranes, JONSERED recycling and forestry cranes, LOGLIFT forestry cranes, MOFFETT truck mounted forklifts, and MULTILIFT demountables, as well as DEL, WALTCO, and ZEPRO tail lifts.

www.hiab.us.com  
Hiab is part of Cargotec.  
www.cargotec.com

Hiab USA Inc  
12233 Williams Road  
Perrysburg, OH 43551 USA  
tel. 419 482 6000  
fax. 419 482 6001

