

TECHNICAL SPECIFICATIONS
HIAB X-HIPRO 548



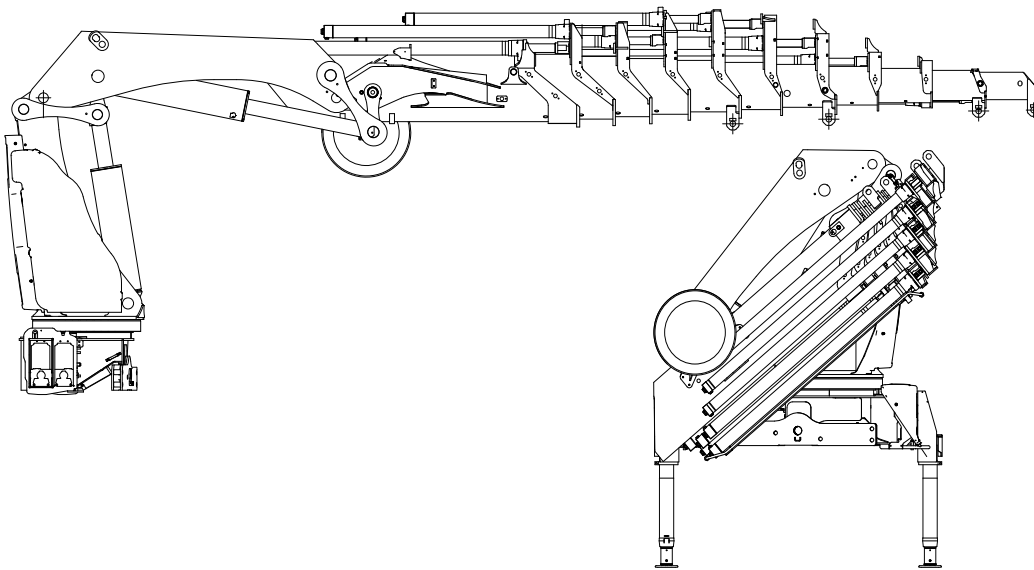
BUILT TO PERFORM



HIAB

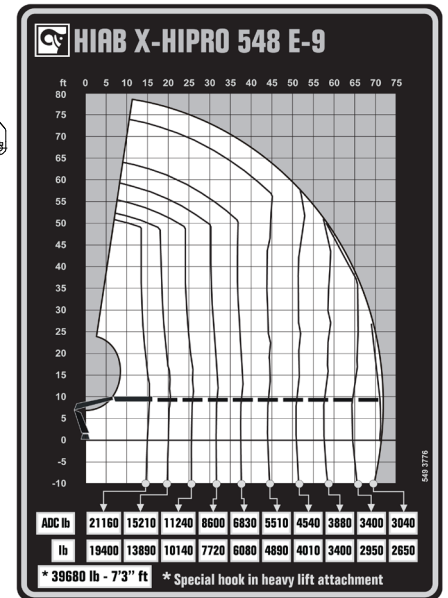
HIAB X-HIPRO 548 BASIC DATA

TECHNICAL DATA	E-4	E-5	E-6	E-7	E-8	E-9
Max. lifting capacity (ft-lbs)	351 790	346 650	340 720	336 310	331 170	327 480
Outreach, hydraulic extensions (ft)	23' 4"	29' 6"	36' 1"	43' 0"	49' 6"	56' 3"
Outreach / lifting capacity (ft-lbs)	13' 9" - 25 570 19' 0" - 18 300 24' 7" - 13 890 30' 6" - 11 020 36' 9" - 9 260 - - - - -	14' 9" - 23 370 20' 0" - 16 760 25' 7" - 12 790 31' 6" - 10 140 37' 5" - 8 380 44' 0" - 7 050 - - - -	14' 5" - 23 590 19' 4" - 17 200 24' 11" - 12 790 30' 10" - 10 030 36' 9" - 8 270 43' 4" - 6 830 50' 2" - 5 910 - - -	15' 1" - 22 270 20' 0" - 16 090 25' 7" - 11 900 31' 6" - 9 370 37' 5" - 7 610 44' 0" - 6 260 50' 10" - 5 290 57' 5" - 4 630 - -	15' 1" - 21 830 20' 0" - 15 870 25' 7" - 11 680 31' 6" - 9 040 37' 5" - 7 280 44' 0" - 5 910 50' 10" - 4 940 57' 5" - 4 280 64' 4" - 3 790 - -	15' 5" - 21 160 20' 4" - 15 210 25' 11" - 11 240 31' 10" - 8 600 37' 9" - 6 830 44' 3" - 5 510 51' 2" - 4 540 57' 9" - 3 880 64' 8" - 3 400 71' 2" - 3 040 -
Slewing angle (°)	∞	∞	∞	∞	∞	∞
Height in folded position (in)	98	98	98	98	98	98
Width in folded position (in)	99	99	99	99	99	100
Installation space needed (in)	61	62	69	69	69	73
Weight, "standard" crane without stabilizers (lbs)	9 710	10 380	10 780	11 270	11 700	12 100
Weight, stabilizer equipment (lbs)	1 880 - 2 360	1 880 - 2 360	1 880 - 2 360	1 880 - 2 360	1 880 - 2 360	1 880 - 2 360



X-HiPro 548 E-9
Side View

X-HiPro 548 E-9
Front View



Disclaimer. Hiab cranes have been built to meet the highest standards of safety and service life and have been thoroughly tested. Strength calculations for this model have been carried out in accordance with EN13001 in fatigue class S2. Cargotec's certified Quality Assurance System complies with ISO 9001. Some of the items in our literature may be extra equipment. Certain applications may require an official permit. We reserve the right to change technical specifications without prior notice. Hiab cranes produced for EU-countries are CE marked and comply with the European Standard EN12999.

Hiab is the world's leading provider of on-road load handling equipment. Customer satisfaction is the first priority for us. Hiab's product range includes HIAB loader cranes, JONSERED recycling and forestry cranes, LOGLIFT forestry cranes, MOFFETT truck mounted forklifts, and MULTILIFT demountables, as well as DEL, WALTCO, and ZEPRO tail lifts.

www.hiab.us.com
Hiab is part of Cargotec.
www.cargotec.com

Hiab USA Inc
12233 Williams Road
Perrysburg, OH 43551 USA
tel. 419 482 6000
fax. 419 482 6001

