

TECHNICAL SPECIFICATIONS
HIAB X-HIPRO 638

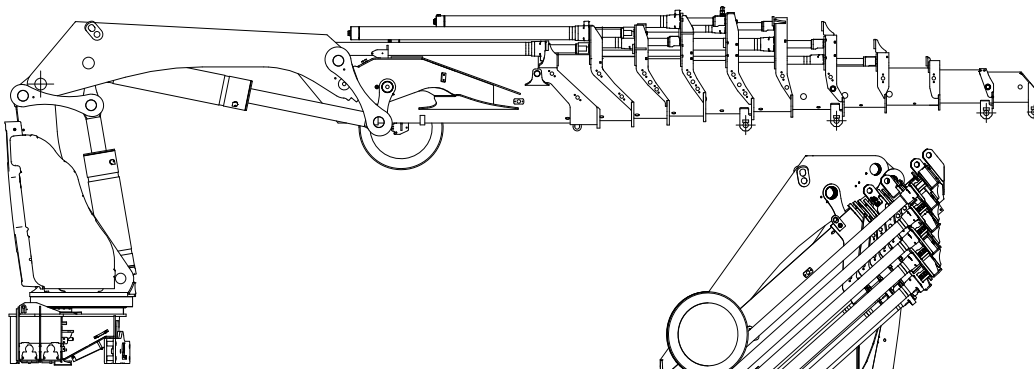


BUILT TO PERFORM

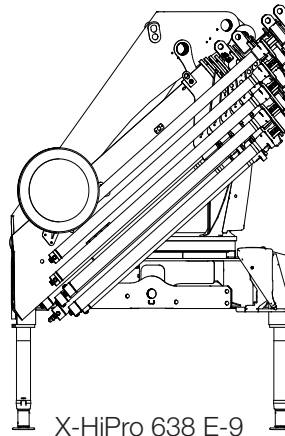


HIAB X-HIPRO 638 BASIC DATA

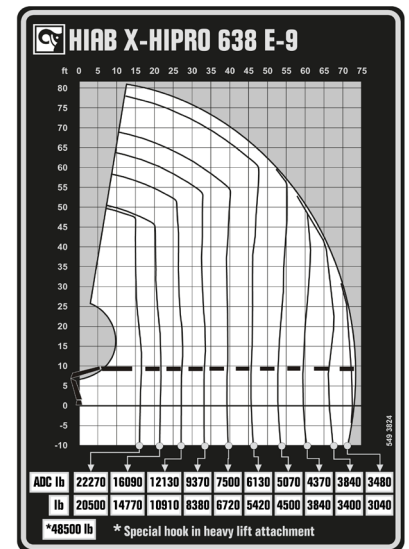
TECHNICAL DATA	E-6	E-7	E-8	E-9
Max. lifting capacity (ft-lbs)	506 710	508 920	511 870	514 080
Outreach, hydraulic extensions (ft)	52' 2"	59' 5"	65' 11"	73' 2"
Outreach / lifting capacity (ft-lbs)	15' 9" - 24 910 21' 0" - 18 080 26' 7" - 13 670 32' 6" - 10 910 38' 5" - 9 040 44' 11" - 7 610 51' 10" - 6 530 - - -	16' 5" - 23 370 21' 4" - 17 420 27' 3" - 13 010 33' 2" - 10 250 39' 1" - 8 380 45' 7" - 6 940 52' 2" - 5 950 59' 1" - 5 200 - -	16' 5" - 22 930 21' 4" - 16 980 27' 3" - 12 570 33' 2" - 9 810 39' 1" - 7 940 45' 7" - 6 530 52' 2" - 5 510 59' 1" - 4 760 65' 7" - 4 280 -	16' 9" - 22 270 22' 0" - 16 090 27' 7" - 12 130 33' 6" - 9 370 39' 4" - 7 500 45' 11" - 6 130 52' 10" - 5 070 59' 5" - 4 370 66' 3" - 3 840 72' 10" - 3 480
Slewing angle (°)	∞	∞	∞	∞
Height in folded position (in)	99	99	99	100
Width in folded position (in)	99	99	99	100
Installation space needed (in)	72	72	73	76
Weight, "standard" crane without stabilizers (lbs)	12 380	13 050	13 370	13 810
Weight, stabilizer equipment (lbs)	2 240 - 2 840	2 240 - 2 840	2 240 - 2 840	2 240 - 2 840



X-HiPro 638 E-9
Side View



X-HiPro 638 E-9
Front View



Disclaimer. Hiab cranes have been built to meet the highest standards of safety and service life and have been thoroughly tested. Strength calculations for this model have been carried out in accordance with EN13001 in fatigue class S2. Cargotec's certified Quality Assurance System complies with ISO 9001. Some of the items in our literature may be extra equipment. Certain applications may require an official permit. We reserve the right to change technical specifications without prior notice. Hiab cranes produced for EU-countries are CE marked and comply with the European Standard EN12999.

Hiab is the world's leading provider of on-road load handling equipment. Our high performance product range includes loader cranes, forestry and recycling cranes, demountables, truck mounted forklifts and tail lifts. We aim to set the industry benchmark for customer satisfaction by providing products and services that meet customer needs globally.

www.hiab.us.com
Hiab is part of Cargotec.
www.cargotec.com

Hiab USA Inc
12233 Williams Road
Perrysburg, OH 43551 USA
tel. 419 482 6000
fax. 419 482 6001



V2016.11.03