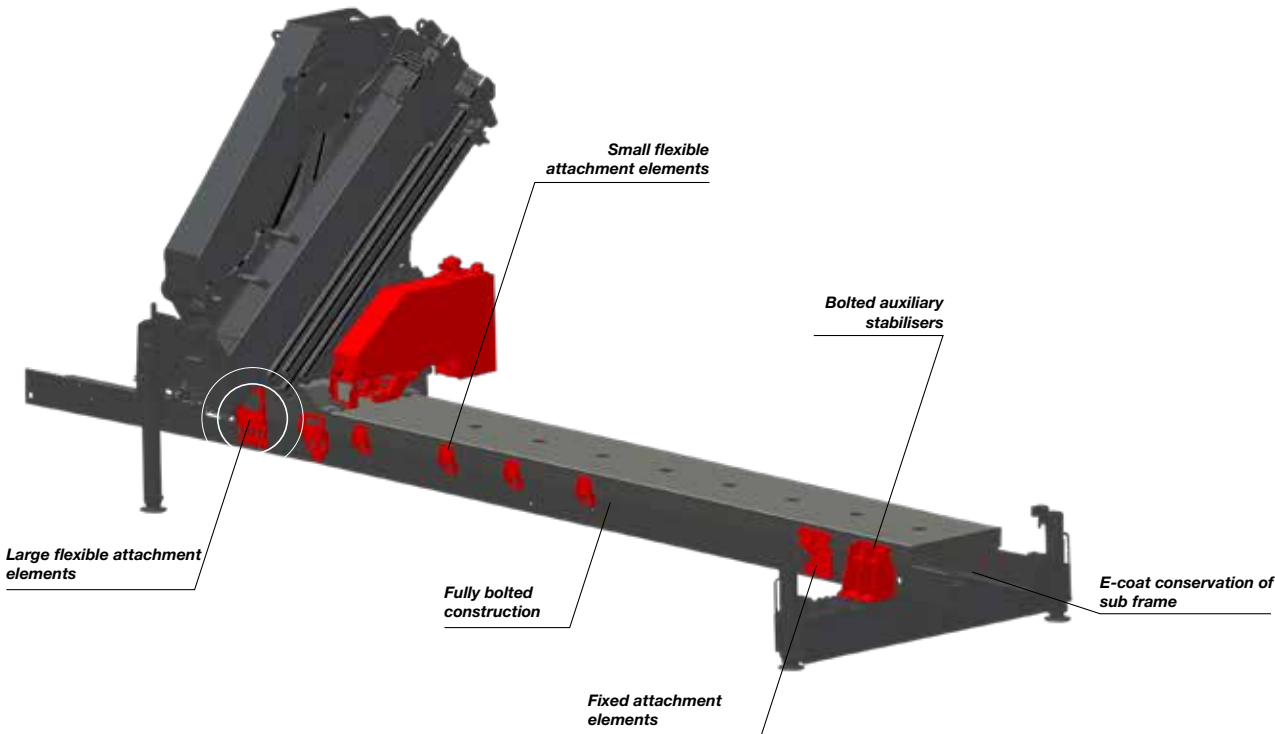
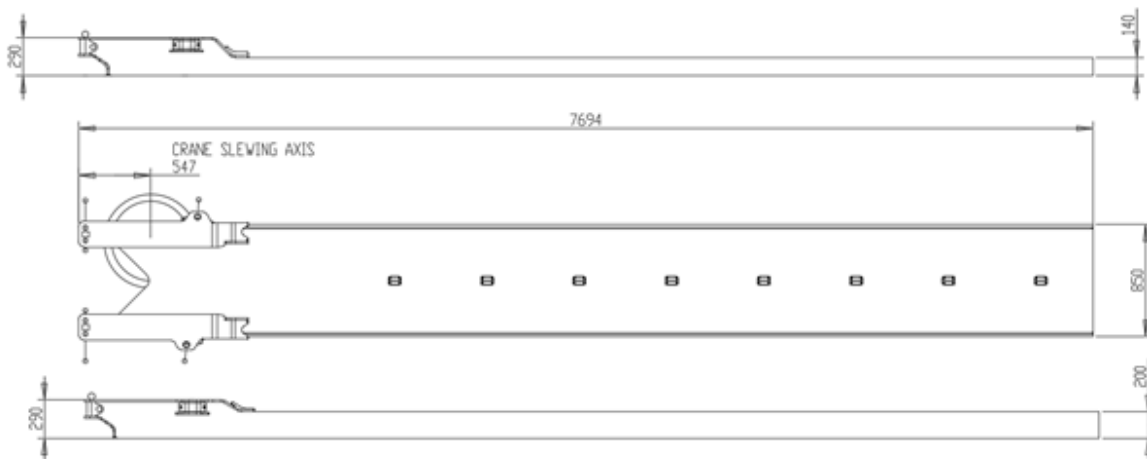


HIAB FRAMEWORKS 5XX RANGE



HIAB FRAMEWORKS 5XX BASIC DATA

Technical data	Low Built	Medium Built	Medium Built Construction
Length (mm)	7694	7694	7694
Width (mm)	850	850	850
Height under platform (mm)	140	200	200
Height under crane (mm)	290	290	290
Weight (kg)	2700	2140	2580
C.O.G. from front subframe (mm)	3330	3191	3707
Length rear cavity construction vehicles (mm) ^{*1}	-	-	4000
Height rear cavity for trailer coupling (mm) ^{*2}	120	120	-
Crane orientation	Behind cab Legs forward	Behind cab Legs forward	Behind cab Legs forward
Weight att. kit crane (kg)	47	47	47
Weight att. kit subframe under crane (kg)	100	100	100
Weight att. kit subframe under platform (kg)	90	90	90
Weight att. kit auxiliary stabiliser beam (kg)	100	100	100
Lashing points ^{*3}	LAXO (8) Stanchion (8) Without	LAXO (8) Stanchion (8) Without	Without



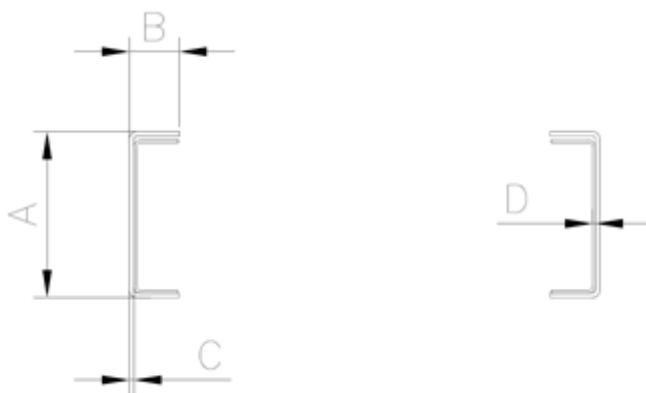
- *1 LENGTH OF REAR CAVITY IN SUBFRAME FOR HEAVY CONSTRUCTION VEHICLES WITH LEAF SUSPENSION ON REAR AXLES
- *2 FREE SPACE FROM TOP OF CHASSIS TILL UPPER PART OF THE SUBFRAME FOR TRAILER COUPLING
- *3 POSSIBLE OPTIONS FOR CARGO LOCKING, PLACED IN THE CENTRE OF THE SUBFRAME. OPTIONS ARE LAXO PROFILES, STANCHION PROFILES OR A SUBFRAME WITHOUT LASHING POINTS.

HIAB FRAMEWORKS 5XX

- TRUCK CHASSIS

Truck Brand	Height (A)	Flange (B)	Thickness (C)	Inner-liner (D)	Material	5XX - Low	5XX - Medium
DAF	260 mm	70 mm	7 mm	5 mm	S600	Possible	Possible
DAF	310 mm	70 mm	7 mm	-	S600	-	Possible
DAF	310 mm	70 mm	7 mm	5 mm	S600	Possible	Possible
MAN	270 mm	85 mm	9,5 mm	-	S500	-	Possible
MERCEDES	281 mm	80 mm	8 mm	-	S600	-	Possible
RENAULT	300 mm	90 mm	8 mm	-	S600	-	Possible
RENAULT	300 mm	90 mm	8 mm	5 mm	S600	Possible	Possible
SCANIA	270 mm	90 mm	9,5 mm	-	S500	-	Possible
SCANIA	270 mm	90 mm	9,5 mm	7 mm	S500	Possible	Possible
SCANIA	270 mm	90 mm	9,5 mm	8 mm	S500	Possible	Possible
VOLVO	300 mm	90 mm	8 mm	-	S590	-	Possible
VOLVO	300 mm	90 mm	8 mm	5 mm	S590	Possible	Possible

CHASSIS DIMENSION



DIMENSIONS REAR CAVITY FOR TRAILER COUPLING



BUILT TO PERFORM

Hiab is the world's leading provider of on-road load-handling equipment, intelligent services and digitally connected solutions. Hiab's offering encompasses class-leading load handling equipment including HIAB loader cranes, LOGLIFT and JONSERED forestry and recycling cranes, MOFFETT truck-mounted forklifts, MULTILIFT demountables, and tail lifts under ZEPRO, DEL, and WALTCO brands. As the industry pioneer, our commitment is to increase efficiency in our customers' businesses and to shape the future of intelligent load handling.

hiab.com

Hiab is part of Cargotec Corporation.

cargotec.com



BD-FRAMEWORKSXFRANGE-EN-EU_171004



hiab.com